

Excellent Integrated System Limited

Stocking Distributor

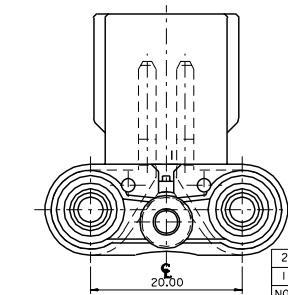
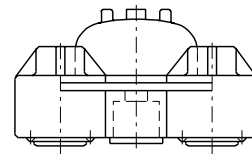
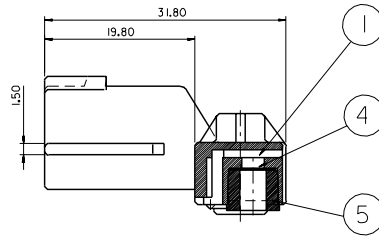
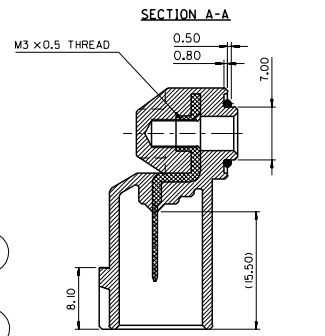
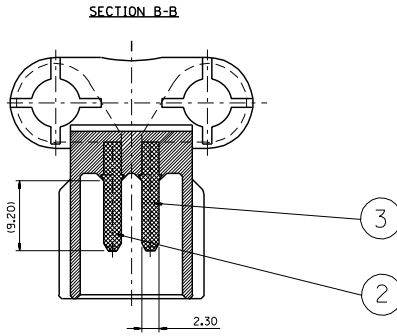
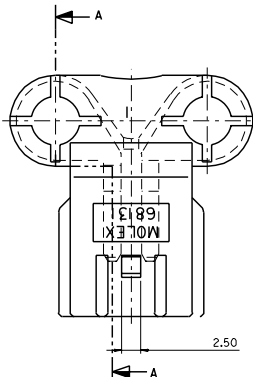
Click to view price, real time Inventory, Delivery & Lifecycle Information:

[Molex Connector Corporation](#)
[0681310231](#)

For any questions, you can email us directly:

sales@integrated-circuit.com

DWG. NO. SD-68131-003
 SIMILAR ITEM
 PROJECT NO.
 C
 B
 DO NOT SCALE DRAWING DIMENSION IN METRIC



| NO. | P/NAME | P/NO. | Q'TY | | |
|-----|-------------|------------|------|----------------------------|-------|
| 1 | HEADER 2P | 68131-0270 | 1 | 30% GLASS FILLED POLYESTER | WHITE |
| | HEADER 2P | 68131-0271 | 1 | 30% GLASS FILLED POLYESTER | BLACK |
| 2 | PIN (LEFT) | 35687-2501 | 1 | BRASS | TIN |
| 3 | PIN (RIGHT) | 35686-2501 | 1 | BRASS | TIN |
| 4 | GASKET | 35940-0023 | 1 | PAPER(FIBER ALLOY) | WHITE |
| 5 | BOTTOM SEAL | 35903-0107 | 1 | OIL SILICONE | BLACK |

NOTE

- APPLICATION: .090 FEMALE HOUSING ASS'Y 2P(35825-0211)
.090 SEALED FEMALE TER(35407-6702 S)
(35407-6902 L)
- PRODUCT SPECIFICATION: 68131-0291
- MATERIAL & FINISH: SEE TABLE

| NO. | MATERIAL NO. | ENG. NO. | FINISH |
|-----|--------------|------------|--------|
| 2 | 681310230 | 68131-0230 | WHITE |
| 1 | 681310231 | 68131-0231 | BLACK |

Release to manufacturing
 EC NO. KOR 2001-0022
 DRWN: HGRHO 010314
 CH'K: B.K.CHOI
 APPR: C.W.LEE

QUALITY SYMBOLS
 MAJOR =
 CRITICAL =
 C =
 REV DESCRIPTION

| GENERAL TOLERANCES: (UNLESS SPECIFIED) | | SCALE | DESIGN UNITS |
|--|------|-------|--|
| mm | INCH | 2:1 | <input checked="" type="checkbox"/> mm <input type="checkbox"/> INCH |
| 4 PLACES | ±0.1 | | DRAWN BY & DATE '98.10.28 H.C.RHO |
| 3 PLACES | ±0.1 | | CHECKED BY & DATE '98.10.28 B.K.CHOI |
| 2 PLACES | ±0.3 | | APPROVED BY & DATE '98.10.28 C.W.LEE |
| 1 PLACE | ±0.3 | | |
| ANGULAR: ± 1° | | | CAD FILENAME |

THIRD ANGLE PROJECTION
 TITLE: FILTER HORN HEADER ASS'Y 2P(Ø100)
 MOLEX INCORPORATED KOREA
 MATERIAL NO. SEE TABLE
 DRAWING NO. SD-68131-003
 CAD FILENAME

| DIMENSIONS: | SHT | REV |
|--|-----|--------------------|
| <input type="checkbox"/> mm <input type="checkbox"/> INCH | | REVISE ON CAD ONLY |
| <input checked="" type="checkbox"/> mm <input checked="" type="checkbox"/> INCH | | |
| <input type="checkbox"/> mm ONLY | | |
| THIS DRAWING CONTAINS INFORMATION THAT IS PROPRIETARY TO MOLEX INCORPORATED AND SHOULD NOT BE USED WITHOUT WRITTEN PERMISSION. | | |
| SHEET NO. 1 OF 1 | | SIZE B |