

## **Excellent Integrated System Limited**

Stocking Distributor

Click to view price, real time Inventory, Delivery & Lifecycle Information:

[Panasonic Electronic Components](#)  
[LN31GPSL](#)

For any questions, you can email us directly:

[sales@integrated-circuit.com](mailto:sales@integrated-circuit.com)

**丸形**

**Round Type**

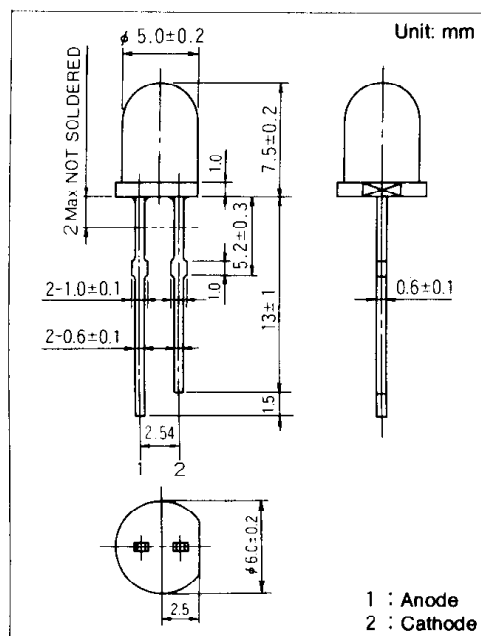
**φ 5.0mm Series**

Type No.	Lighting Color
LN31GPSL	Green
LN31GCPSL	Green
LN41YPSL	Amber
LN41YCPSL	Amber

**絶対最大定格 Absolute Maximum Ratings (Ta=25 °C)**

Lighting Color	P <sub>D</sub> (mW)	I <sub>F</sub> (mA)	I <sub>FP</sub> (mA)*	V <sub>R</sub> (V)	Topr (°C)	Tstg (°C)
Green	90	30	150	4	-25~+85	-30~+100
Amber	90	30	150	4	-25~+85	-30~+100

\* I<sub>FP</sub>の条件は、duty 10%、Pulse width 1 msec The condition of I<sub>FP</sub> is duty 10%、Pulse width 1 msec



**電気的光学的特性 Electro-Optical Characteristics (Ta=25 °C)**

Type No.	Lighting Color	Lens Color	I <sub>0</sub>			V <sub>F</sub>		λ <sub>P</sub>	Δλ	I <sub>F</sub>	I <sub>R</sub>	
			Typ.	Min.	I <sub>F</sub>	Typ.	Max.				Max.	V <sub>R</sub>
LN31GPSL	Green	Green Diffused	15.0	3.0	20	2.2	2.8	565	30	20	10	4
LN31GCPSL	Green	Green Clear	20.0	7.5	20	2.2	2.8	565	30	20	10	4
LN41YPSL	Amber	Amber Diffused	8.0	3.0	20	2.2	2.8	590	30	20	10	4
LN41YCPSL	Amber	Amber Clear	20.0	10.0	20	2.2	2.8	590	30	20	10	4
Unit	—	—	mcd	mcd	mA	V	V	nm	nm	mA	μA	V

