

Excellent Integrated System Limited

Stocking Distributor

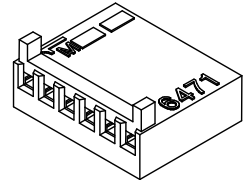
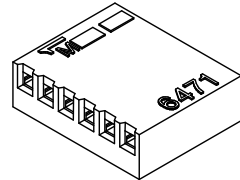
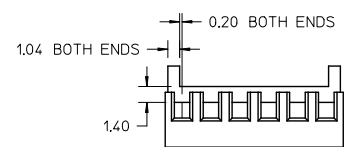
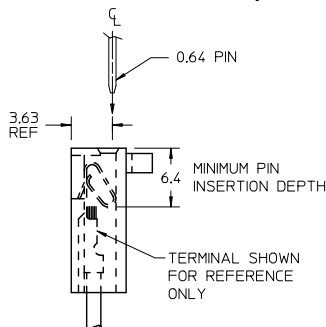
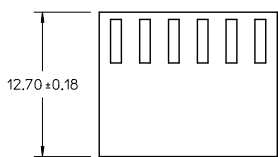
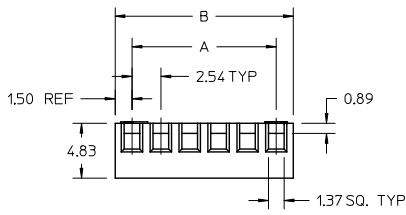
Click to view price, real time Inventory, Delivery & Lifecycle Information:

[Molex Connector Corporation](#)
[0022012056](#)

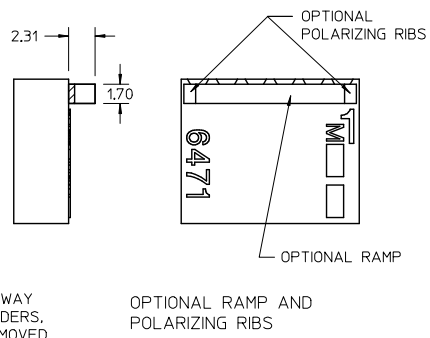
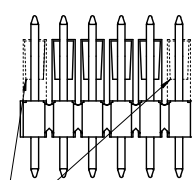
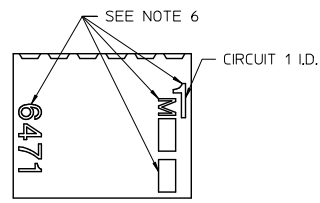
For any questions, you can email us directly:

sales@integrated-circuit.com

22	53.34±0.35	56.34±0.35
21	50.80±0.35	53.80±0.35
20	48.26±0.35	51.26±0.35
19	45.72±0.35	48.72±0.35
18	43.18±0.35	46.18±0.35
17	40.64±0.35	43.64±0.35
16	38.10±0.35	41.10±0.35
15	35.56±0.35	38.56±0.35
14	33.02±0.35	36.02±0.35
13	30.48±0.35	33.48±0.35
12	27.94±0.35	30.94±0.35
11	25.40±0.35	28.40±0.35
10	22.86±0.35	25.86±0.35
9	20.32±0.35	23.32±0.35
8	17.78±0.35	20.78±0.35
7	15.24±0.35	18.24±0.35
6	12.70±0.15	15.70±0.15
5	10.16±0.15	13.16±0.15
4	7.62±0.15	10.62±0.15
3	5.08±0.15	8.08±0.15
2	2.54±0.15	5.54±0.15
No. OF CCTS	DIM A	DIM B



SHOWN WITH OPTIONAL RAMP AND POLARIZATION RIBS



LEGEND

E-6471-N*
 MATERIAL: BLANK= NATURAL
 # OF CIRCUITS
 OPTION CODE: BLANK=NO RAMP OR POLARIZATION RIB, R= RAMP AND POLARIZATION RIB

- NOTES:
- MATERIAL: "BLANK": POLYAMIDE (PA66/6), UL94V-0, COLOR: NATURAL (WHITE)
 - FINISH: N/A
 - PRODUCT SPECIFICATION: PS-99020-0088
 - PACKAGING: BULK
 - FOR USE WITH TERMINAL SERIES 2759, 41572, 4809, 6459, AND 8088.
 - TEXT MAY BE PRESENT ON EITHER SIDE OF PART.
 - THIS PART CONFORMS TO CLASS B REQUIREMENTS OF COSMETIC SPECIFICATION PS-45499-002.

ADD HEADER VIEW EC NO: UCP2014-1471 DRAWN BY: DRWNGKIPPER 2013/10/02 CHECKED BY: CHKOBANDERSON 2013/10/02 APPROVED BY: APPRESMITH 2013/10/09 REV: G2	QUALITY SYMBOLS 	GENERAL TOLERANCES (UNLESS SPECIFIED)		DIMENSION STYLE: MM ONLY		SCALE: 4:1	DESIGN UNITS: METRIC	THIRD ANGLE PROJECTION	
		4 PLACES ± --- ± ---	3 PLACES ± --- ± ---	DRAWN BY: SF	DATE: 2000/07/14	TITLE: KK 2.54MM CRIMP TERMINAL HOUSING MATERIAL NO. SD-6471-N*-** DOCUMENT NO. 1 OF 2 SHEET NO. 1 OF 2			
		2 PLACES ± 0.15 ± ---	1 PLACE ± 0.25 ± ---	CHECKED BY: DWASZKIEWICZ	DATE: 2006/02/27				
		0 PLACE ± ±	ANGULAR ± --- °	APPROVED BY: F SMITH	DATE: 2011/10/11				
DRAFT WHERE APPLICABLE MUST REMAIN WITHIN DIMENSIONS		SEE CHART		THIS DRAWING CONTAINS INFORMATION THAT IS PROPRIETARY TO MOLEX INCORPORATED AND SHOULD NOT BE USED WITHOUT WRITTEN PERMISSION					

E-6471-N		
PART No.	ENG No.	No. OF CIRCUITS
22-01-2026	E-6471-2	2
↑ -2036	↑ -3	3
↑ -2046	↑ -4	4
↑ -2056	↑ -5	5
↑ -2066	↑ -6	6
↑ -2076	↑ -7	7
↑ -2086	↑ -8	8
↑ -2096	↑ -9	9
↑ -2106	↑ -10	10
↑ -2116	↑ -11	11
↑ -2126	↑ -12	12
↑ -2136	↑ -13	13
↑ -2146	↑ -14	14
↑ -2156	↑ -15	15
↑ -2166	↑ -16	16
↑ -2176	↑ -17	17
↑ -2186	↑ -18	18
↑ -2196	↑ -19	19
↑ -2206	↑ -20	20
↑ -2216	↑ -21	21
22-01-2226	E-6471-22	22

E-6471-NI		
PART No.	ENG No.	No. OF CIRCUITS
22-01-2025	E-6471-02I	2
↑ -2035	↑ -03I	3
↑ -2045	↑ -04I	4
↑ -2055	↑ -05I	5
↑ -2065	↑ -06I	6
↑ -2075	↑ -07I	7
↑ -2085	↑ -08I	8
↑ -2095	↑ -09I	9
↑ -2105	↑ -10I	10
↑ -2115	↑ -11I	11
↑ -2125	↑ -12I	12
↑ -2135	↑ -13I	13
↑ -2145	↑ -14I	14
↑ -2155	↑ -15I	15
↑ -2165	↑ -16I	16
↑ -2175	↑ -17I	17
↑ -2185	↑ -18I	18
↑ -2195	↑ -19I	19
↑ -2205	↑ -20I	20
↑ -2215	↑ -21I	21
22-01-2225	E-6471-22I	22

SEE SHEET 1 EC NO: UCPE2014-1471 DRAWN BY: 2013/10/02 CHKD BY: CHKOBIANPERSON 2013/10/02 APPROVED BY: F.SMITH 2013/10/09	QUALITY SYMBOLS ∇=0 ∇=0 ∇=0	GENERAL TOLERANCES (UNLESS SPECIFIED)		DIMENSION STYLE MM ONLY		SCALE 1:1	DESIGN UNITS METRIC	THIRD ANGLE PROJECTION	
		4 PLACES ± --- ± --- 3 PLACES ± --- ± --- 2 PLACES ± 0.15 ± --- 1 PLACE ± 0.25 ± --- 0 PLACE ± ±	mm INCH --- --- --- --- --- --- --- --- --- ---	DRAWN BY: SF DATE: 2000/07/14	CHECKED BY: DWASZKIEWICZ DATE: 2006/02/27	TITLE KK 2.54MM CRIMP TERMINAL HOUSING			
		ANGULAR ± --- ° DRAFT WHERE APPLICABLE MUST REMAIN WITHIN DIMENSIONS		MATERIAL NO. SEE CHART	DOCUMENT NO. SD-6471-N*-**	SHEET NO. 2 OF 2			
		THIS DRAWING CONTAINS INFORMATION THAT IS PROPRIETARY TO MOLEX INCORPORATED AND SHOULD NOT BE USED WITHOUT WRITTEN PERMISSION							