

Excellent Integrated System Limited

Stocking Distributor

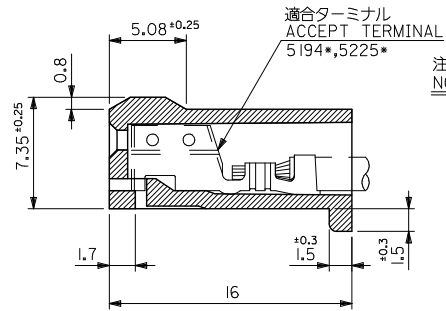
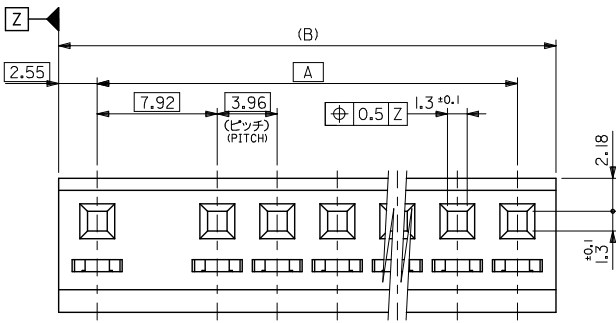
Click to view price, real time Inventory, Delivery & Lifecycle Information:

[Molex Connector Corporation](#)
[0009501113](#)

For any questions, you can email us directly:

sales@integrated-circuit.com

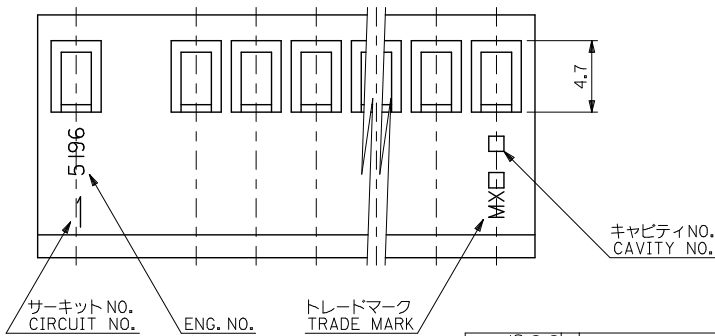
10 9 8 7 6 5 4 3 2 1



適合ターミナル
ACCEPT TERMINAL
5194*,5225*

注記
NOTES

1. 各部の反りは0.5最大。
WARPING : 0.5 MAX.
2. サークットNO.は NO."1" のみ表示。
CIRCUIT NO. : 1 ONLY.
3. ELV及びRoHS適合品。
ELV AND RoHS COMPLIANT.



52.62	47.52	09-50-1123	5196-12	12
48.66	43.56	↑ -1113	↑ -11	11
44.7	39.6	-1103	-10	10
40.74	35.64	-1093	-09	9
36.78	31.68	-1083	-08	8
32.82	27.72	-1073	-07	7
28.86	23.76	-1063	-06	6
24.9	19.8	-1053	-05	5
20.94	15.84	-1043	-04	4
16.98	11.88	↓ -1033	↓ -03	3
13.02	7.92	09-50-1023	5196-02	2
		B	A	
		EDP. NO.	ENG. NO.	部数 NO. OF CKTS.

REVISED EC NO. J2009-2074 DRAWN: ARIZONO 2009/04/15 CHKD: HIRIYAMA 2009/04/16 APPR: NUKITA 2009/04/16 REV	GENERAL TOLERANCES (UNLESS SPECIFIED)		DIMENSION STYLE MM ONLY		SCALE 4:1	DESIGN UNITS METRIC	THIRD ANGLE PROJECTION
	10 UNDER	± 0.2	DRAWN BY M. FUJIKURA		DATE 1992/09/07	TITLE SPOX 7.92/3.96 REC HSG	
	10 OVER 30 UNDER	± 0.25	CHECKED BY H. HIRAMOTO		DATE 1992/09/08	MOLEX INCORPORATED	
	30 OVER	± 0.3	APPROVED BY M. FUKUSHIMA		DATE 1992/09/08	DOCUMENT NO. SD-5196-001	SHEET NO. 1 OF 1
ANGULAR ± 3 °		DRAFT WHERE APPLICABLE MUST REMAIN WITHIN DIMENSIONS		SEE TABLE		THIS DRAWING CONTAINS INFORMATION THAT IS PROPRIETARY TO MOLEX INCORPORATED AND SHOULD NOT BE USED WITHOUT WRITTEN PERMISSION	

材料 MATERIAL
ナイロン66, UL94V-2
色: オフホワイト
NYLON66, UL94V-2
COLOR : OFF WHITE