

Excellent Integrated System Limited

Stocking Distributor

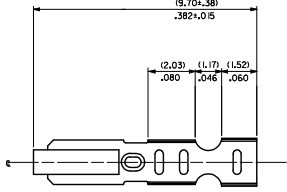
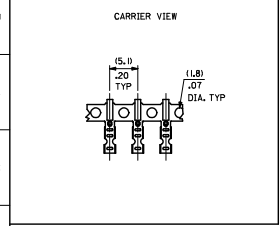
Click to view price, real time Inventory, Delivery & Lifecycle Information:

[Molex Connector Corporation](#)
[0050291757](#)

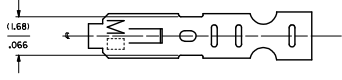
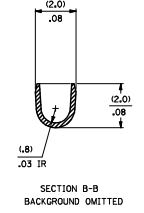
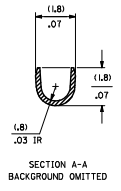
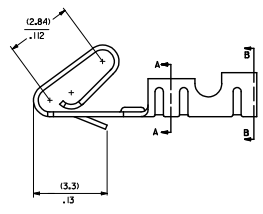
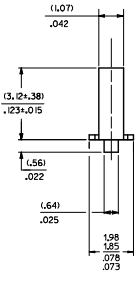
For any questions, you can email us directly:

sales@integrated-circuit.com

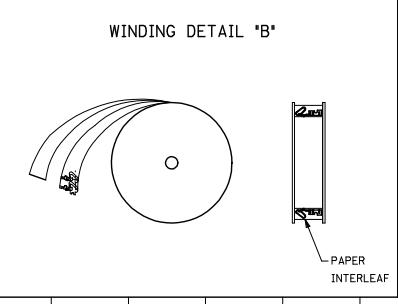
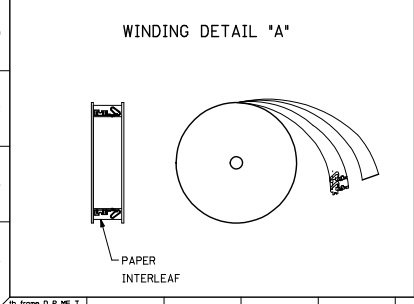
20 19 18 17 16 15 14 13 12 11 10 9 8 7 6 5 4 3 2 1



- NOTES
1. MATERIAL: 10.203±0.010/0080±.004 THICK BRASS
 2. FINISH: P909 - OVERALL HOT TIN DPA: (0.00254)/.000100 MIN.
 3. PRODUCT SPEC: PS-10-07
 4. PACKAGING SPECIFICATION: LOOSE FORM TERMINALS: PER PK-2759-001
CHAIN FORM TERMINALS: PER PK-2759-002
 5. CRIMP IS FOR 22-30 GA WIRE WITH (157)/.062 DIA INSULATION MAX.
 6. INSERTION FORCE OF TERMINAL INTO 12.54/100 CENTERLINE CONNECTOR IS 2.5 LBS. MAX
 7. TERMINAL RETENTION IN HOUSING IS 26.7N / 6 LBS MN. WHEN PULLED AT THE RATE OF 25.4MM / 1 INCH PER MINUTE.
 8. DIMENSIONS GIVEN ACROSS CENTERLINES ARE SYMMETRICAL ABOUT THOSE CENTERLINES WITHIN HALF THE TOTAL TOLERANCE.
 9. THIS PART CONFORMS TO CLASS B REQUIREMENTS OF COSMETIC SPECIFICATION PS-45499-002.



2759-(****)*	
PART NUMBER	ENGINEERING NUMBER
50-29-1638	2759-IP909IL
50-29-1757	2759-IP909IB



2759-(****)*
FORM L-LOOSE
PLATING A-CHAIN, PER WINDING DETAIL 'A'
SEE NOTE 2 B-CHAIN, PER WINDING DETAIL 'B'

ADD WINDING DETAIL EC NO. 10/20/04-471 DRAWN/CHKR 20/04/08 CHECKED/ENR 20/04/08 APPROVED/ENR 20/04/08 REV. DESCRIPTION	QUALITY SYMBOLS	GENERAL TOLERANCES (UNLESS SPECIFIED)	DIMENSION STYLE	SCALE	DESIGN UNITS	THIRD ANGLE PROJECTION
	▽=0	4 PLACES ±.010	MM/IN	---	INCH	☉
	▽=0	3 PLACES ±.010	DRAWN BY	JJS	DATE	07/29/04
	▽=0	2 PLACES ±0.25 ±.014	CHECKED BY	KSS	DATE	07/29/04
		1 PLACE ±0.36 ±.014	APPROVED BY	DATE	07/29/04	
		0 PLACE ±.010	MATERIAL NO.	SEE CHART	DOCUMENT NO.	SD-2759-001
		ANGULAR ±1/2°	DRAFT WHERE APPLICABLE MUST REMAIN WITHIN DIMENSIONS	SIZE D	THIS DRAWING CONTAINS INFORMATION THAT IS PROPRIETARY TO MOLEX INCORPORATED AND SHOULD NOT BE USED WITHOUT WRITTEN PERMISSION	

19 18 17 16 15 14 13 12 11 10 9 8 7 6 5 4 3 2 1