

Excellent Integrated System Limited

Stocking Distributor

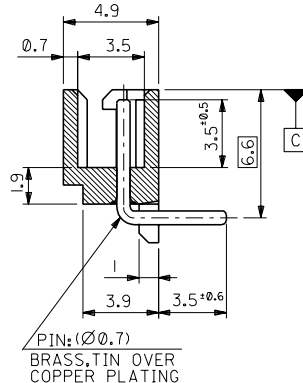
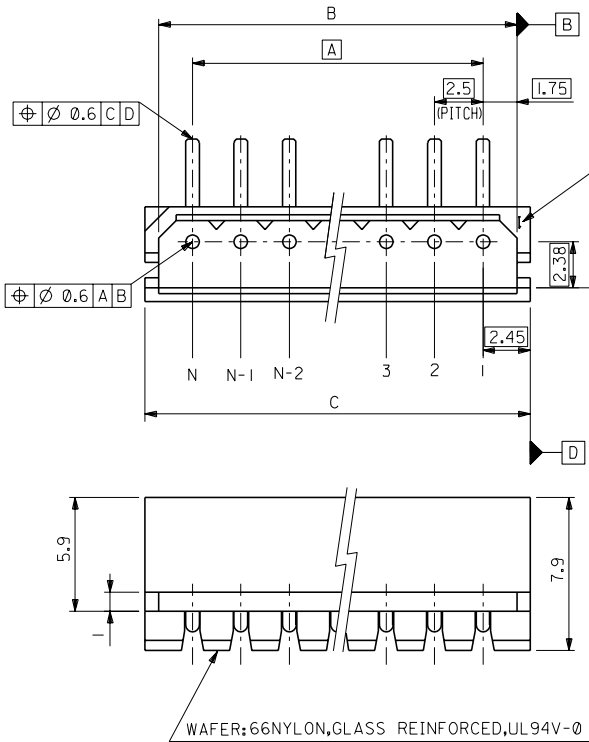
Click to view price, real time Inventory, Delivery & Lifecycle Information:

[Molex Connector Corporation](#)
[0039315047](#)

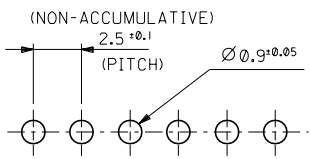
For any questions, you can email us directly:

sales@integrated-circuit.com

EDP NO. 39-31-5**7 ENG. NO. SD-5268B*



PIN: $\phi 0.7$
BRASS, TIN OVER
COPPER PLATING



RECOMMENDED P.C. BOARD HOLE DIM. (t=1.6)

NOTES
1. MATES WITH : 5264-N

22.4	21	17.5	8	7	6	39-31-5097	5268B09
19.9	18.5	15	7	5	3,4	39-31-5087	5268B08
9.9	8.5	5	3	2	2	39-31-5077	5268B07
32.4	31	27.5	12	6	2,4,6,8,10,11	39-31-5067	5268B06
29.9	28.5	25	11	10	10	39-31-5057	5268B05
19.9	18.5	15	7	6	4	39-31-5047	5268B04
39.9	38.5	35	15	14	2	39-31-5037	5268B03
12.4	11	7.5	4	2	2,3	39-31-5027	5268B02
27.4	26	22.5	10	5	2,4,6,8,9	39-31-5017	5268B01
C	B	A	NO. OF CKTS.	NO. OF PINS	VOID CKT.	EDP NO.	ENG. NO.

F	REVISED (J2000-0419)	T.Y.	00/1/19	材料		MOLEX-JAPAN CO.,LTD. 日本モレックス株式会社
E	REVISED (JC80242)	Y.M.	91/9/16	MATERIAL		
D	REVISED (JC70947)	Y.M.	91/4/25	仕上げ		EDP NO.
C	REVISED (JC70560)	H.H.	92/10/20	FINISH		39-31-5**7
B	REVISED (J21086)	H.H.	92/11/29	適用電線範囲		ENG. NO.
A	REVISED (J20196)	H.H.	92/3/5	WIRE RANGE		SD-5268B*
Q	RELEASED (J01071)	H.H.	90/10/9	被覆外径		REV F
INS. RANGE						
記号	変更内容	DR. CHK.	DATE	DRAWN BY	CHK'D BY	TITLE 名称
TR	REVISION RECORD			K. TOJO '90/10/9	T. YAMAGUCHI	2.5 LOW PROFILE WAFER
一般公差				APP'D BY 00/1/19	尺貫	ASS'Y 90° BEND
GENERAL TOLERANCES				M. FUKUSHIMA	SCALE 5 : 1	

THIS DRAWING CONTAINS INFORMATION THAT IS PROPRIETARY TO MOLEX (JAPAN) AND SHOULD NOT BE USED WITHOUT WRITTEN PERMISSION
本図面は日本モレックス（株）の所有する情報を含むもので 当社の許可なく複製を禁止する。 MXJ-8