



## Excellent Integrated System Limited

Stocking Distributor

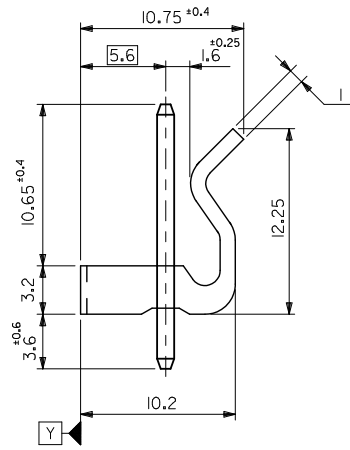
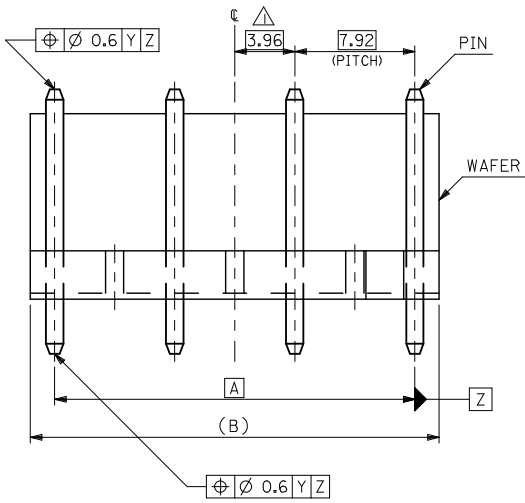
Click to view price, real time Inventory, Delivery & Lifecycle Information:

[Molex Connector Corporation](#)  
[0039318024](#)

For any questions, you can email us directly:

[sales@integrated-circuit.com](mailto:sales@integrated-circuit.com)

10 9 8 7 6 5 4 3 2 1



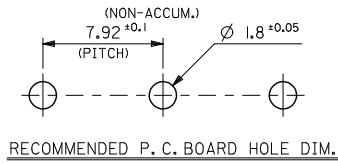
**NOTES**

- △ TO BE APPLIED ONLY WHEN ALL CKTS. ARE EVEN.
- 2. MATERIAL  
 WAFER : 66NYLON, UL94V-2  
 PIN : BRASS (C114), TIN OVER COPPER PLATING.

3. LEGEND

5096 - N C - \*\*

BASE NUMBER \_\_\_\_\_  
 CIRCUIT SIZE \_\_\_\_\_  
 ASS'Y TYPE CODE \_\_\_\_\_  
 DYED COLOR CODE \_\_\_\_\_  
 RE : RED



26.96	23.76	39-31-8044	5096-04C-RE	4
11.12	7.92	39-31-8024	5096-02C-RE	2
DIM. B		EDP NO. MATERIAL NO.		NO. OF CKTS.
		5096-NC-RE		

REVISED IEC NO. J2009-0320 DRAWN BY: DRWANKAMURA 2008/08/26 CHECKED BY: CHKDT HARIYAMA 2008/08/26 APPROVED BY: APPR.NIKITA 2008/12/09	GENERAL TOLERANCES (UNLESS SPECIFIED)		DIMENSION STYLE	SCALE	DESIGN UNITS	MODEL NO.	5096-NC-**
			MM ONLY	4:1	METRIC	THIRD ANGLE PROJECTION	
	10 UNDER	± 0.2	DRAWN BY	DATE	TITLE		
	10 OVER 30 UNDER	± 0.25	H. HIRAMOTO	'91/12/3	KK7.92 WAFER ASSY WITH LOCK (DYED COLOR)		
30 OVER	± 0.3	CHECKED BY	DATE	MOLEX INCORPORATED			
ANGULAR	± 3 °	M. FUKUSHIMA	'91/12/5	MATERIAL NO.			
DRAFT WHERE APPLICABLE MUST REMAIN WITHIN DIMENSIONS		APPROVED BY	DATE	DOCUMENT NO.			
		M. ENOMOTO	'91/12/5	SD-5096-002			
		SEE TABLE		SHEET NO.			
		THIS DRAWING CONTAINS INFORMATION THAT IS PROPRIETARY TO MOLEX INCORPORATED AND SHOULD NOT BE USED WITHOUT WRITTEN PERMISSION		1 OF 1			