

## Excellent Integrated System Limited

Stocking Distributor

Click to view price, real time Inventory, Delivery & Lifecycle Information:

[Littelfuse](#)  
[59030-030](#)

For any questions, you can email us directly:

[sales@integrated-circuit.com](mailto:sales@integrated-circuit.com)

System No. 31564

**PROPRIETARY NOTE:** This drawing and all information thereon is the property of Breed Technologies, Inc. and is confidential and proprietary and must not be made public or copied unless expressly authorized in writing by Breed Technologies, Inc. and is subject to return upon demand.

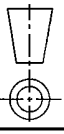
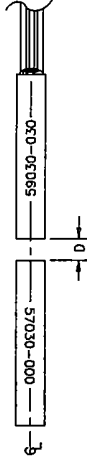
DCR No. 1243

Electrical

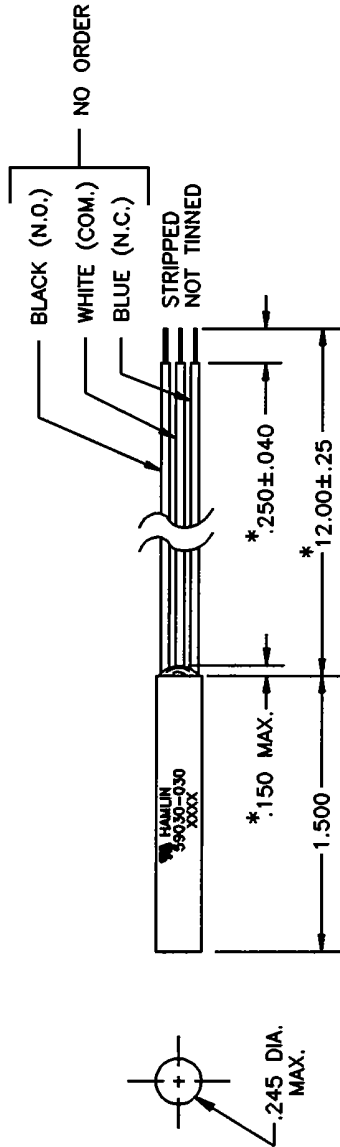
CONTACT TYPE: FORM C  
 CONTACT RATING: 5 WATTS  
 SWITCHING VOLTAGE, MAX.: 175 VDC  
 SWITCHING CURRENT, MAX.: 0.25 AMPS  
 CARRY CURRENT, MAX.: 1.5 AMPS  
 CONTACT RESISTANCE INCLUDING LEADS, MAX.: 220 mΩ (N.O.)  
 BREAKDOWN VOLTAGE, MIN.: 200 VDC

CAPSULE: BLACK UL94V-0 POLYESTER  
 POTTING: BLACK EPOXY  
 LEADS: WIRE PVC 24 AWG 7/32 UL1569  
 ACTUATOR: 57030-000  
 ACTUATE DISTANCE: .150" MIN.  
 DEACTUATE DISTANCE: .800" MAX.

Physical



Print Detail



DIMENSIONS ARE IN INCHES  
 TOLERANCES: ±.010 UNLESS NOTED  
 \* KEY ASSEMBLY DIMENSIONS



59030-030 SENSOR

**Hamlin**

Breed Electronics Limited Partnership

DCR No. 1243

AI UPDATE/FROMAT

A9433 BJBW 2/15/02 BJBW 3/13/02

Dwn. DRR DATE 5/2/88

D10-59030-030

REV. DESCRIPTION OF REVISION

DCR No.

BY DATE APP. DATE

App'd DRR DATE 5/11/88

Page 1 of 1