

Excellent Integrated System Limited

Stocking Distributor

Click to view price, real time Inventory, Delivery & Lifecycle Information:

[Molex Connector Corporation](#)
[0734152202](#)

For any questions, you can email us directly:

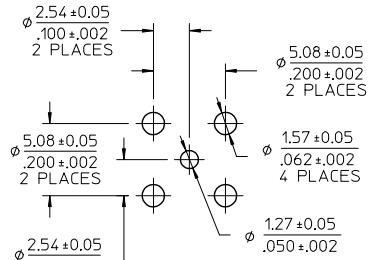
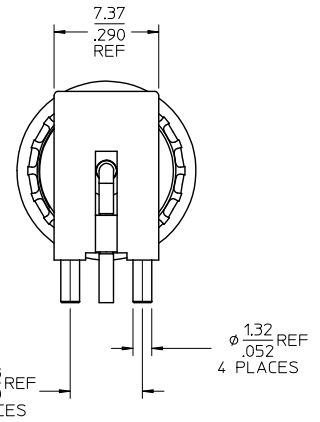
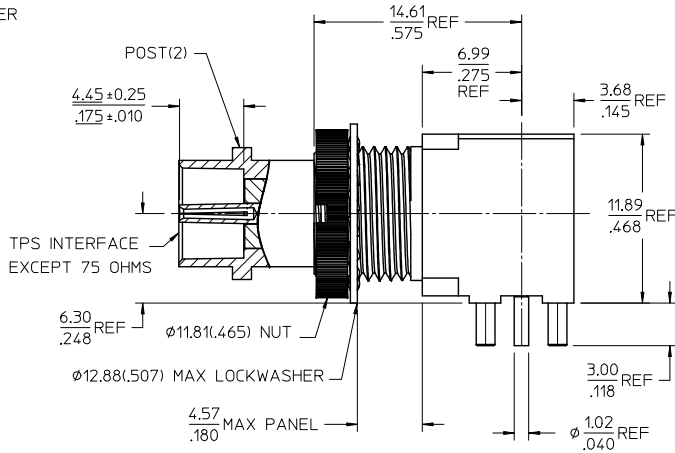
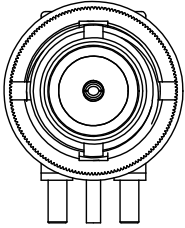
sales@integrated-circuit.com

MATERIALS AND FINISHES

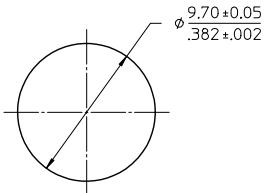
BODY ZINC
PLATED SEE TABLE

CENTER CONTACT BERYLLIUM COPPER
PLATED GOLD

INSULATOR TEFLON (PTFE)



RECOMMENDED PCB LAYOUT



RECOMMENDED PANEL CUT OUT

73415-2204	SINGLE BAG VERSION OF 73415-2202
73415-2203	SINGLE BAG VERSION OF 73415-2201
73415-2202	NICKEL/ TRAY
73415-2201	GOLD 10µ INCHES MAX OVER NICKEL 100µ INCHES/TRAY
73415-2200	OBSOLETE
PART NO.	PLATING & PACKAGING

CHG: ADDED PKG 73415-2201/2202 PER: RFA-ES327 EC NO: UNF2016-0218 DRAWING NO: 2015/09/16 CHKD: CHENG APPR: YCHENG B4	DESCRIPTION 2015/09/16	QUALITY SYMBOLS =0 =0 =0	GENERAL TOLERANCES (UNLESS SPECIFIED)		DIMENSION STYLE	SCALE	DESIGN UNITS	THIRD ANGLE PROJECTION	
			mm	INCH	MM/IN		METRIC		
4 PLACES ± --- ± ---			DRAWN BY		DATE	TITLE			
3 PLACES ± --- ± ---			SSS		2000/06/26	TPS JACK, R/A, PCB			
2 PLACES ± --- ± ---			CHECKED BY		DATE	BLKHD, 75 OHMS			
1 PLACE ± --- ± ---			TEF		2000/06/27	EWR-1090 TPS-J/PCB			
0 PLACE ± --- ± ---			APPROVED BY		DATE				
ANGULAR ± 2 °			GMH		2000/06/27				
DRAFT WHERE APPLICABLE MUST REMAIN WITHIN DIMENSIONS			MATERIAL NO.		DOCUMENT NO.	SHEET NO.			
			SEE TABLE		SD-73415-220	1 OF 1			
			THIS DRAWING CONTAINS INFORMATION THAT IS PROPRIETARY TO MOLEX INCORPORATED AND SHOULD NOT BE USED WITHOUT WRITTEN PERMISSION						