

Excellent Integrated System Limited

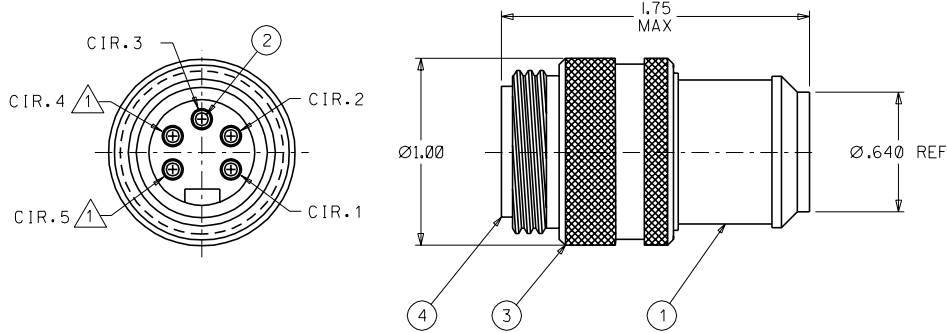
Stocking Distributor

Click to view price, real time Inventory, Delivery & Lifecycle Information:

[Molex Connector Corporation](#)
[0848499000](#)

For any questions, you can email us directly:
sales@integrated-circuit.com

REV	DATE	ECN NO.	APPVD BY	REL BY
A	1-8-01	UM2001-0196 PRDD. REL.		



ITEM	QTY	DESCRIPTION	MATERIAL/FINISH
4	1	INSERT, PIN, 5/C	PVC/COLOR:YELLOW
3	1	CPLG. RING, EXT. THDS.	BRASS/BLACK ANODIZE
2	5	CONTACT, PIN	CU ALLOY/GOLD PLATED
1	A/R	OVERMOLD	PVC/COLOR:BLUE

$\triangle 1$ 121 OHM $\pm 1\%$ RESISTANCE FROM CIRCUIT 4 TO 5.

NOTES: UNLESS OTHERWISE SPECIFIED

QUALITY SYMBOLS MAJOR \blacktriangledown = CRITICAL ∇ = SPC ∇ S =	UNLESS SPECIFIED: ALL DIMENSIONS IN INCHES GENERAL TOLERANCES: 3 PLACE $\pm .005$ 2 PLACE $\pm .01$ ANGULAR $\pm 2^\circ$	SCALE 2:1 DWG SIZE B DRAWN BY & DATE GF 1-8-01 CHECKED BY & DATE APPROVED BY & DATE	THIRD ANGLE PROJECTION REVISE ON CAD ONLY TITLE: MINI-C, TERMINATING PLUG, MALE, BLUE MOLEX INCORPORATED Orange, CA 92868 PART NO. 848499000 DRAWING NO. SD-84849-9000 SHEET NO. 1 OF 1 REV A
	Ull-Mate CAGE CODE 58967	THIS DRAWING CONTAINS INFORMATION THAT IS PROPRIETARY TO MOLEX INCORPORATED AND SHOULD NOT BE USED WITHOUT WRITTEN PERMISSION.	