

## Excellent Integrated System Limited

Stocking Distributor

Click to view price, real time Inventory, Delivery & Lifecycle Information:

[Phoenix Contact](#)  
[1805628](#)

For any questions, you can email us directly:

[sales@integrated-circuit.com](mailto:sales@integrated-circuit.com)



Extract from the online catalog

## KGS-MSTB 2,5/21

Order No.: 1805628

The illustration shows an 8-position version



<http://eshop.phoenixcontact.de/phoenix/treeViewClick.do?UID=1805628>

Cable housing, Number of positions: 21, Dimension a: 105 mm, Color: green

Commercial data	
EAN	4017918046637
Pack	10 pcs.
Customs tariff	85472000
Weight/Piece	0.02963 KG
Catalog page information	Page 194 (CC-2005)

#### Product notes

WEEE/RoHS-compliant since:  
01/01/2003



<http://www.download.phoenixcontact.com>  
Please note that the data given here has been taken from the online catalog. For comprehensive information and data, please refer to the user documentation. The General Terms and Conditions of Use apply to Internet downloads.

### Accessories

Item	Designation	Description
<b>Cable/conductor</b>		
1804658	KD-KGS-MSTB	Molded cable strain relief, suitable for KGS-... cable housings, prevents the cable from being bent

KGS-MSTB 2,5/21 Order No.: 1805628

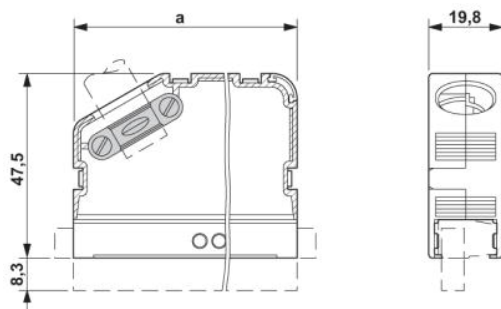
<http://eshop.phoenixcontact.de/phoenix/treeViewClick.do?UID=1805628>

**Marking**

1784914	KGS-MSTB 2,5/ DST	Transparent label carrier, can be marked with marker strips SBS 2.5/7.5
1007604	SBS 2,5/7,5	Marker strips, unprinted, for individual labeling, perforated, white plastic, 10-section, lettering field size: 15 x 7.5 mm

**Diagrams/Drawings**

Dimensioned drawing



KGS-MSTB 2,5/21 Order No.: 1805628

<http://eshop.phoenixcontact.de/phoenix/treeViewClick.do?UID=1805628>

---

**Address**

PHOENIX CONTACT Inc., USA  
586 Fulling Mill Road  
Middletown, PA 17057, USA  
Phone (800) 888-7388  
Fax (717) 944-1625  
<http://www.phoenixcon.com>



© 2010 Phoenix Contact  
Technical modifications reserved;