

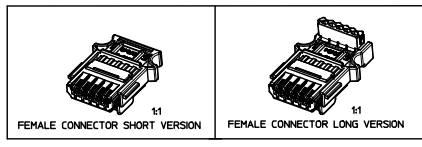
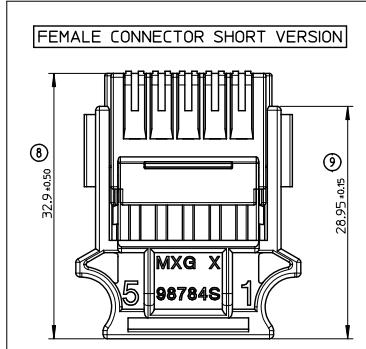
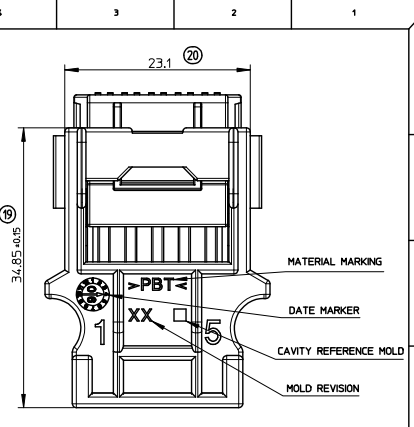
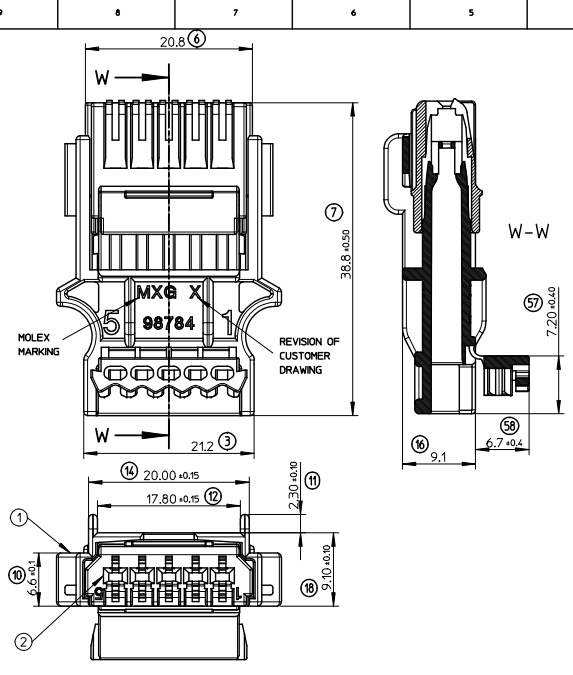
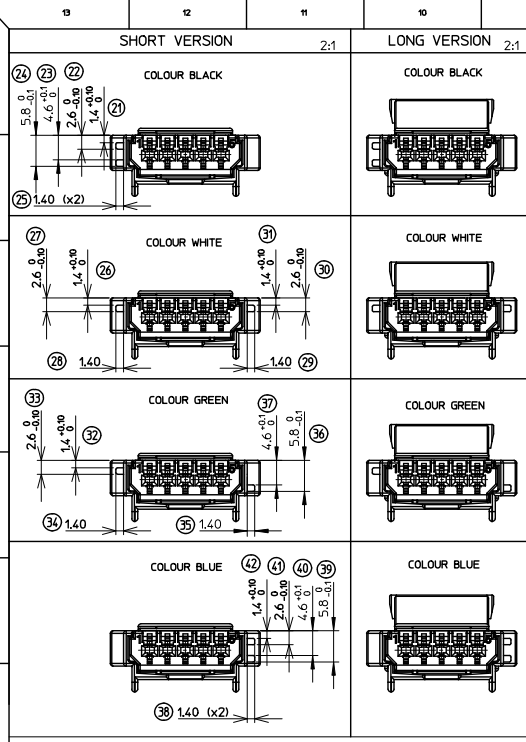
## **Excellent Integrated System Limited**

Stocking Distributor

Click to view price, real time Inventory, Delivery & Lifecycle Information:

[Molex Connector Corporation](#)  
[0987841003](#)

For any questions, you can email us directly:  
[sales@integrated-circuit.com](mailto:sales@integrated-circuit.com)



MOLEX PART NUMBER	DESIGNATION / VERSION	COLOUR / COLOR	MALE HOUSING ASSOCIATED
0987841004	FEMALE HOUSING SHORT VERSION	BLUE	098781004
0987841003	FEMALE HOUSING SHORT VERSION	GREEN	098781003
0987841002	FEMALE HOUSING SHORT VERSION	WHITE	098781002
0987841001	FEMALE HOUSING SHORT VERSION	BLACK	098781001
0987841004	FEMALE HOUSING LONG VERSION	BLUE	098781004
0987841003	FEMALE HOUSING LONG VERSION	GREEN	098781003
0987841002	FEMALE HOUSING LONG VERSION	WHITE	098781002
0987841001	FEMALE HOUSING LONG VERSION	BLACK	098781001

NOTES :  
 1-FOR ILLUSTRATION PURPOSE THE FEMALE CONNECTOR LONG SHOWN IS THE WHITE VERSION (0987841002).  
 2-APPLICATION SPECIFICATION :AS-98784-005.  
 3-PART WEIGHT LONG VERSION: 4.9 g.  
 3-PART WEIGHT SHORT VERSION: 4.2 g.  
 4-PACKAGING SPECIFICATION : PK-98784-001

<b>FIRST RELEASE</b> EC NO: G2009-0290 DR/IN/VALERIN 2009/04/27 CH/KO/PLESSIS 2009/04/27 APPR/BOUCHAN 2009/04/28	GENERAL TOLERANCES (UNLESS SPECIFIED) mm INCH 4 PLACES ± --- ± --- 3 PLACES ± --- ± --- 2 PLACES ± 0.10 ± --- 1 PLACE ± 0.15 ± --- ANGULAR ± 2 °	DIMENSION STYLE MM ONLY DRAWN BY VGUERIN 2009/03/27 CHECKED BY DATE OPLESSIS 2009/03/30 APPROVED BY DATE BOUCHAN 2009/03/30	SCALE 3:1 DESIGN UNITS METRIC FIRST ANGLE PROJECTION
	DRAFT WHERE APPLICABLE MUST REMAIN WITHIN DIMENSIONS		
	SEE CHART THIS DRAWING CONTAINS INFORMATION THAT IS PROPRIETARY TO MOLEX INCORPORATED AND SHOULD NOT BE USED WITHOUT WRITTEN PERMISSION		
	TITLE: FEMALE MODULE 5 WAY SALES DRAWING MOLEX INCORPORATED SD-98784-001 SHEET NO. 1 OF 1		