

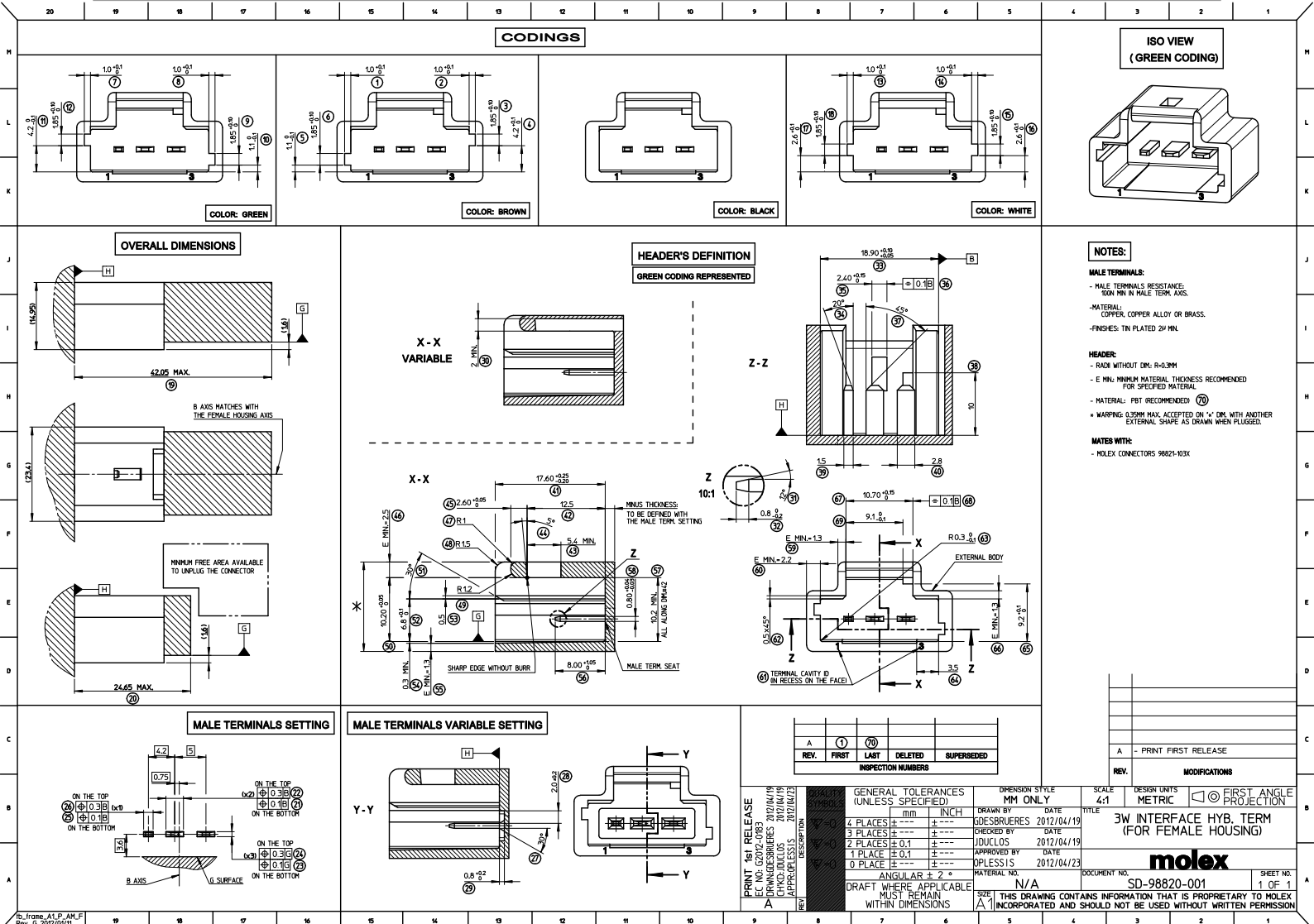
Excellent Integrated System Limited

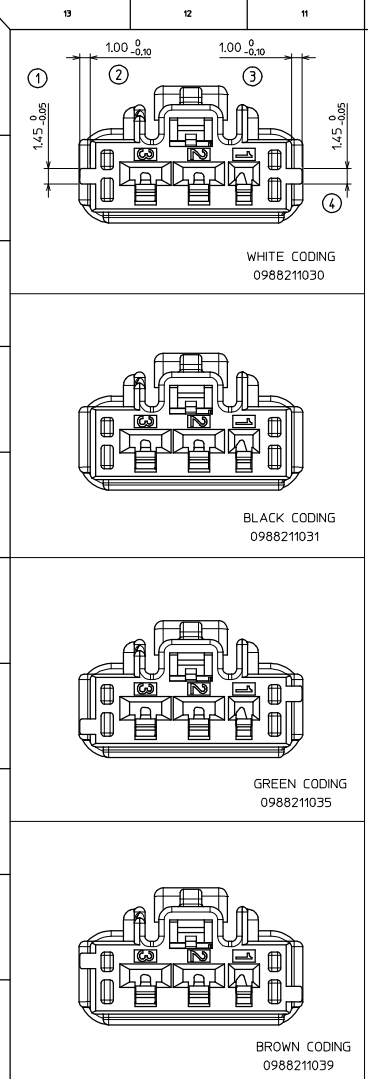
Stocking Distributor

Click to view price, real time Inventory, Delivery & Lifecycle Information:

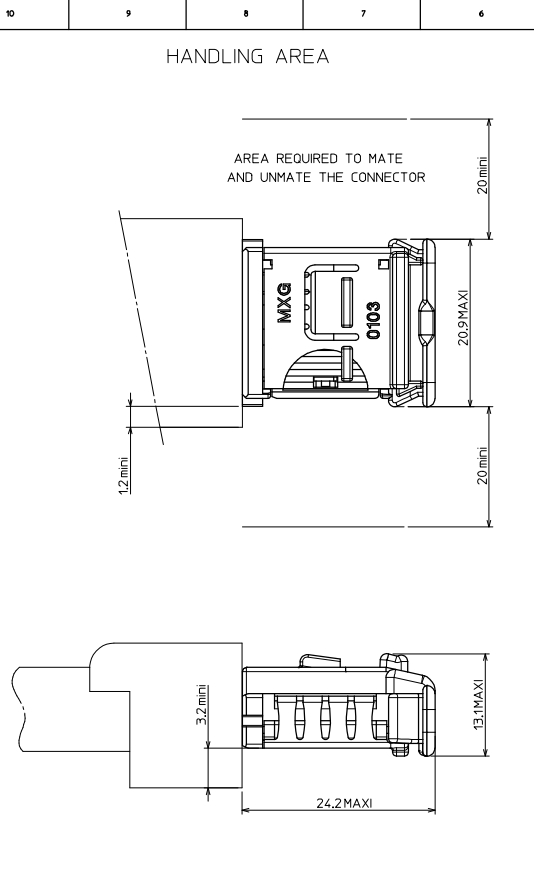
[Molex Connector Corporation](#)
[0988211035](#)

For any questions, you can email us directly:
sales@integrated-circuit.com





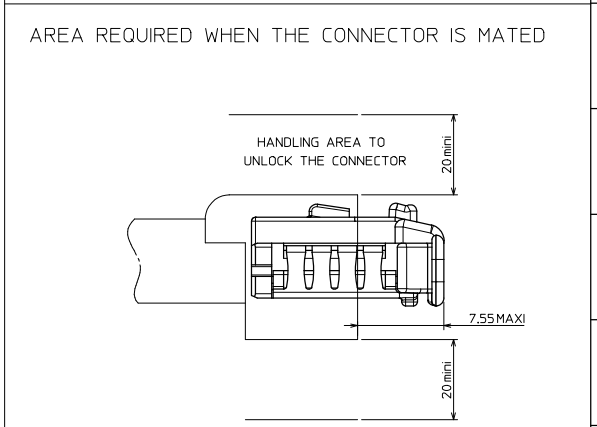
CODING 4:1



NOTE : 1 - The using conditions of the hinge are showed in the MOLEX specification n°AS-98821-001.

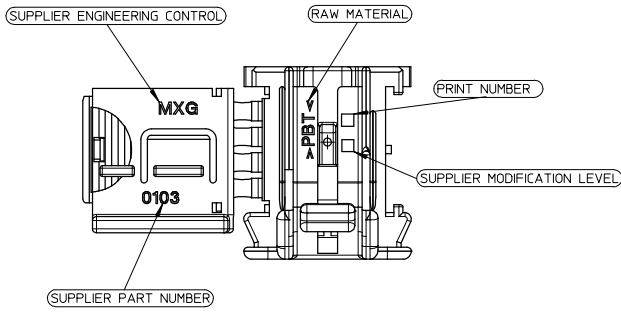
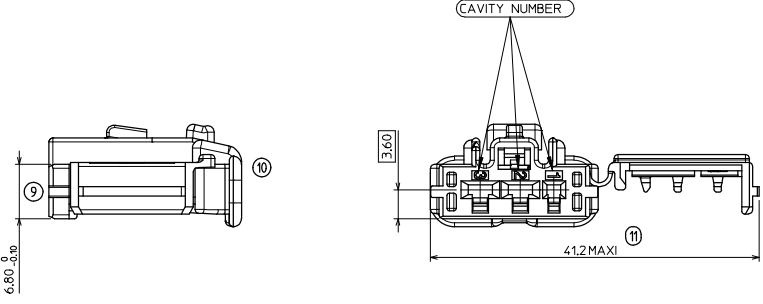
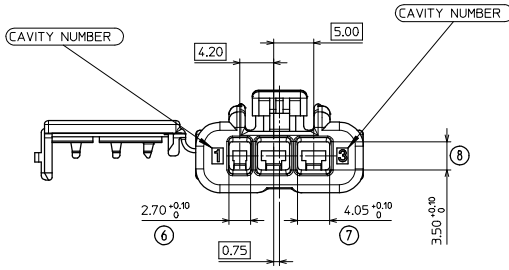
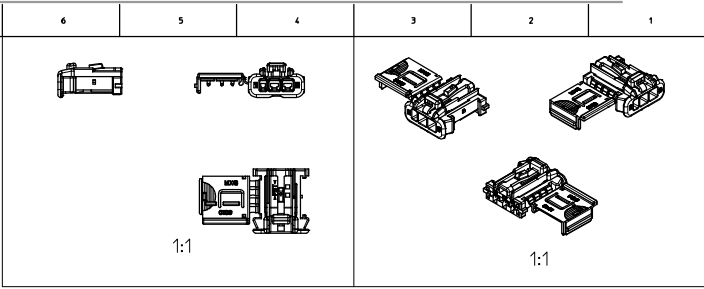
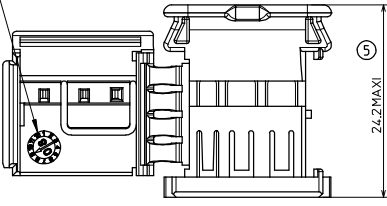
2 - Female terminal used :

- * For cavity 1.5 mm : SCC RCPT TERM 1.5mm
 - Range 1 : 0988971109 (0.22 mm² to 2x0.22 mm²)
 - Range 2 : 0988971119 (0.5 mm² to 1 mm² included)
 - Range 3 : 0988971129 (2x0.5 mm² to 2 mm² included)
- * for cavity 2.8 mm : RCPT TERM 2.8 mm UCC2
 - Range 1 : 0988981029 (0.34 mm² to 0.68 mm²)
 - Range 2 : 0988981039 (0.93 mm² to 2.16 mm²)
 - Range 3 : 0988981049 (2.26 mm² to 4.95 mm²)



FIRST RELEASE EC NO: GZ009-0009 DRAWN: LPOUCHAUD 2008/07/28 CHECKED: YIGEL 2008/07/28 APPROVED: LSTICKEIR 2008/07/29	DESCRIPTION NSCC HYB RCPT CONN GRN 3CKT	GENERAL TOLERANCES (UNLESS SPECIFIED)		DIMENSION STYLE	SCALE	DESIGN UNITS	THIRD ANGLE PROJECTION	
				MM ONLY	3:1	METRIC		
		1 PLACES	±---	±---	DRAWN BY	DATE	TITLE	
		2 PLACES	±---	±---	LPOUCHAUD	2008/06/18	NSCC HYBRID RCPT CONN 3CKT	
3 PLACES	±---	±---	CHECKED BY	DATE	MATERIAL NO.		SHEET NO.	
1 PLACE	±0.10	±---	YIGEL	2008/06/18	SEE CHART		1 OF 2	
ANGULAR ± 2 °		APPROVED BY		DATE	DOCUMENT NO.			
DRAFT WHERE APPLICABLE MUST REMAIN WITHIN DIMENSIONS		LSTICKEIR		2008/06/18	SD-98821-001			
THIS DRAWING CONTAINS INFORMATION THAT IS PROPRIETARY TO MOLEX INCORPORATED AND SHOULD NOT BE USED WITHOUT WRITTEN PERMISSION								

DATUM MONTH/YEAR



WHITE CODING (P/N 0988211030) IS SHOWN.

NSCC HYBRID RCPT CONN 3CKT	0988211039	Brown	POLYESTER (PBT)	2.694 g	
	0988211035	Green			
	0988211031	Black			
	0988211030	White			
Description	Part-Number	Color	Raw Material	Weight effective	
GENERAL TOLERANCES (UNLESS SPECIFIED) mm INCH 1 PLACES ± --- ± --- 2 PLACES ± --- ± --- 3 PLACES ± --- ± --- 4 PLACES ± --- ± --- 1 PLACE ± 0.10 ± --- ANGULAR ± 2 °	DIMENSION STYLE MM ONLY		SCALE 3:1	DESIGN UNITS METRIC	THIRD ANGLE PROJECTION
	DRAFT WHERE APPLICABLE MUST REMAIN WITHIN DIMENSIONS		TITLE NSCC HYBRID RCPT CONN 3CKT		
FIRST RELEASE EC NO: G2009-0009 DRAWN: LPOUCHAUD 2008/07/28 CHECKED: CHIKDY/DEL 2008/07/28 APPROVED: LSTICKEIR 2008/07/29		DRAWN BY LPOUCHAUD 2008/06/18		DATE 2008/06/18	
MATERIAL NO. SEE CHART		APPROVED BY LSTICKEIR 2008/06/18		DATE 2008/06/18	
DOCUMENT NO. SD-98821-001		MOLEX INCORPORATED		SHEET NO. 2 OF 2	
SIZE A THIS DRAWING CONTAINS INFORMATION THAT IS PROPRIETARY TO MOLEX INCORPORATED AND SHOULD NOT BE USED WITHOUT WRITTEN PERMISSION					