

Excellent Integrated System Limited

Stocking Distributor

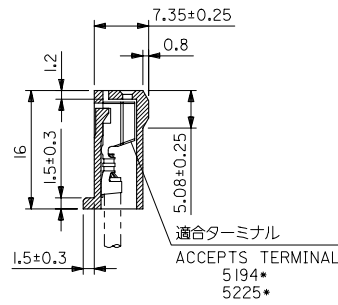
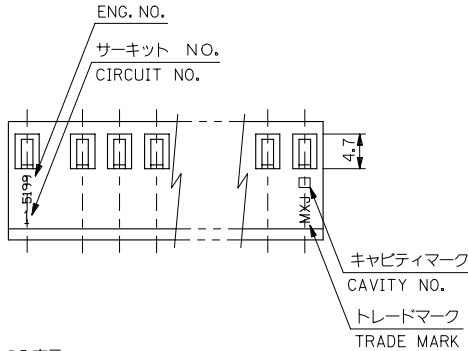
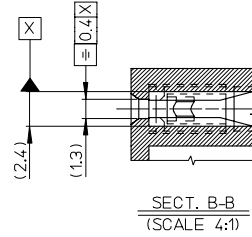
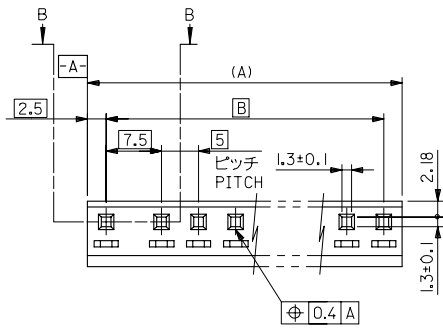
Click to view price, real time Inventory, Delivery & Lifecycle Information:

[Molex Connector Corporation](#)
[0010633044](#)

For any questions, you can email us directly:

sales@integrated-circuit.com

10 9 8 7 6 5 4 3 2 1



注) NOTE.

1. 各部のそりは0.5最大 WARPING:0.5MAX.
2. サークットNO. はNO. * 1* のみ表示 CIRCUIT NO. : *1* ONLY

10-63-3064	5199-06	27.5	32.5	6
↑ -3054	↑ -05	22.5	27.5	5
↑ -3044	↑ -04	17.5	22.5	4
↓ -3034	↓ -03	12.5	17.5	3
10-63-3024	5199-02	7.5	12.5	2
EDP. NO.	ENG. NO.	B	(A)	種数 CKT.

REVISED EC NO.: J2007-3407 2007/06/20 DRAWN: KON CHIKUMI SOGAYA 2007/06/25 APPR: THARYAMA 2007/06/25	GENERAL TOLERANCES (UNLESS SPECIFIED)		DIMENSION STYLE MM ONLY	SCALE 2:1	DESIGN UNITS METRIC	THIRD ANGLE PROJECTION
	10 UNDER	±0.2	DRAWN BY K. KOHAMA	DATE 2000/03/28	TITLE SPOX 5/7.5 PITCH REC HSG	
	10 OVER 30 UNDER	±0.25	CHECKED BY T. YAMAGUCHI	DATE 2000/03/30	MATERIAL NO. SEE TABLE	
	30 OVER	±0.3	APPROVED BY M. FUKUSHIMA	DATE 2000/03/30	DOCUMENT NO. SD-5199-001	SHEET NO. 1 OF 1
REV	DESCRIPTION	ANGULAR ±3°	DRAFT WHERE APPLICABLE MUST REMAIN WITHIN DIMENSIONS			

9

8

7

6

5

4

3

2