



Distributor of Molex Connector Corporation: Excellent Integrated System Limited
Datasheet of 0190120033 - Connector Quick Connect Receptacle/Tab 10-12 AWG 0.250"
(6.35mm) Crimp

Contact us: sales@integrated-circuit.com Website: www.integrated-circuit.com

Excellent Integrated System Limited

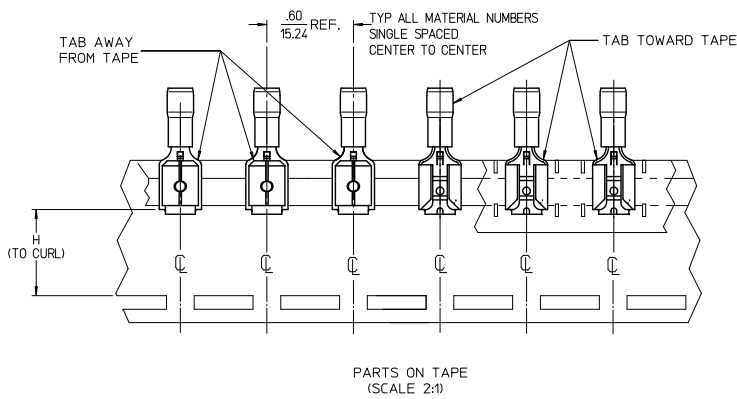
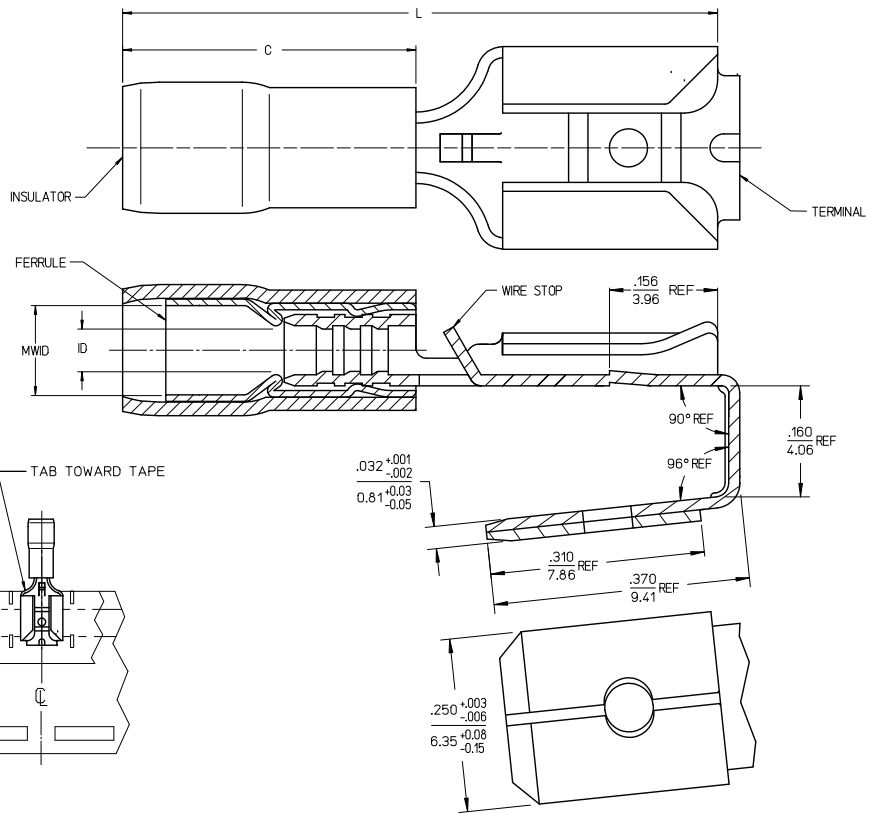
Stocking Distributor

Click to view price, real time Inventory, Delivery & Lifecycle Information:

[Molex Connector Corporation](#)
[0190120033](#)

For any questions, you can email us directly:
sales@integrated-circuit.com

13	12	11	10	9	8	7	6	5	4	3	2	1
MATERIAL NO. LOOSE PC	ENGINEERING NO. LOOSE PC	MATERIAL NO. ON TAPE	ENGINEERING NO. ON TAPE	WIRE SIZE	INSULATOR COLOR	ID MIN REF	MWID	C MAX	L MAX	H NOMINAL	BARE TAB POSITION	
190120029	AA-8301	190120030	AA-8301	22-18 AWG	RED	.079/2.00	.140/3.56	.420/10.67	.870/22.10	.54/13.7	AWAY FROM TAPE	
190120031	BB-8302	190120032	BB-8302	16-14 AWG	BLUE	.079/2.00	.140/3.56	.420/10.67	.870/22.10	.54/13.7	AWAY FROM TAPE	
190120033	C-8303	190120034	C-8303	12-10 AWG	YELLOW	.136/3.45	.225/5.71	.580/14.73	1.030/26.16	.57/14.4	TOWARD TAPE	



NOTES:

1. TERMINAL MATERIAL: BRASS
2. TERMINAL FINISH: TIN PLATED
3. INSULATOR MATERIAL: NYLON
4. FERRULE MATERIAL: COPPER ALLOY (F)
5. FERRULE FINISH: TIN PLATED
6. MWID = MAXIMUM WIRE INSULATION DIAMETER.
7. ASSEMBLY IS ROHS COMPLIANT.

FERRULE MATERIAL DESCR EC NO: VINA2009-0510 2010/01/04 DRW: THRODHAL 2010/01/05 CHKD: MALNETL 2010/01/05 APPR: MALNETL 2010/01/05 REV	QUALITY SYMBOLS	GENERAL TOLERANCES (UNLESS SPECIFIED)	DIMENSION STYLE	SCALE	DESIGN UNITS	THIRD ANGLE PROJECTION																									
	$\nabla=0$ $\nabla=0$	<table border="1"> <tr> <th></th> <th>mm</th> <th>INCH</th> </tr> <tr> <td>4 PLACES</td> <td>± .005</td> <td>± .0005</td> </tr> <tr> <td>3 PLACES</td> <td>± .005</td> <td>± .0005</td> </tr> <tr> <td>2 PLACES</td> <td>± 0.13</td> <td>± .01</td> </tr> <tr> <td>1 PLACE</td> <td>± 0.25</td> <td>± .01</td> </tr> </table>		mm	INCH	4 PLACES	± .005	± .0005	3 PLACES	± .005	± .0005	2 PLACES	± 0.13	± .01	1 PLACE	± 0.25	± .01	<table border="1"> <tr> <th>IN/MM</th> <th>DATE</th> <th>TITLE</th> </tr> <tr> <td>DRAWN BY JH</td> <td>1996/03/19</td> <td rowspan="3">PIGGYBACK QD, .250 X .032 TAB, AVIKRIMP</td> </tr> <tr> <td>CHECKED BY RWD</td> <td>1996/03/19</td> </tr> <tr> <td>APPROVED BY RWD</td> <td>1996/03/19</td> </tr> </table>	IN/MM	DATE	TITLE	DRAWN BY JH	1996/03/19	PIGGYBACK QD, .250 X .032 TAB, AVIKRIMP	CHECKED BY RWD	1996/03/19	APPROVED BY RWD	1996/03/19	---	INCH	
		mm	INCH																												
	4 PLACES	± .005	± .0005																												
3 PLACES	± .005	± .0005																													
2 PLACES	± 0.13	± .01																													
1 PLACE	± 0.25	± .01																													
IN/MM	DATE	TITLE																													
DRAWN BY JH	1996/03/19	PIGGYBACK QD, .250 X .032 TAB, AVIKRIMP																													
CHECKED BY RWD	1996/03/19																														
APPROVED BY RWD	1996/03/19																														
		MATERIAL NO. SEE CHART DOCUMENT NO. SD-19012-001																													

DRAFT WHERE APPLICABLE MUST REMAIN WITHIN DIMENSIONS

THIS DRAWING CONTAINS INFORMATION THAT IS PROPRIETARY TO MOLEX INCORPORATED AND SHOULD NOT BE USED WITHOUT WRITTEN PERMISSION