

Excellent Integrated System Limited

Stocking Distributor

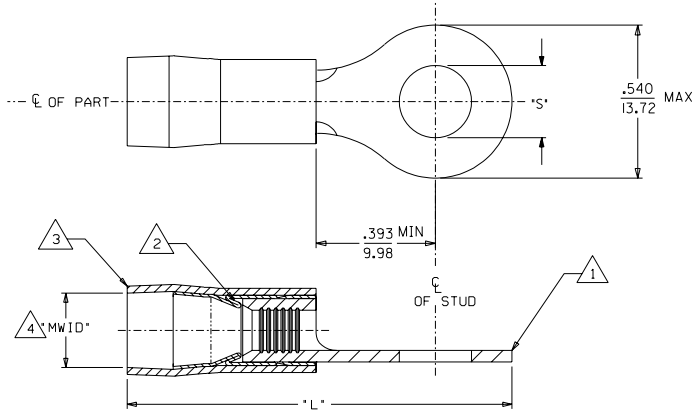
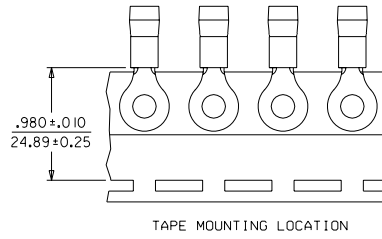
Click to view price, real time Inventory, Delivery & Lifecycle Information:

[Molex Connector Corporation](#)
[0190730182](#)

For any questions, you can email us directly:

sales@integrated-circuit.com

MATERIAL NUMBER	ENGINEERING NUMBER	STUD SIZE	MAX "S"	"MWID"	MAX "L"	PACKAGING
190730182	C-830-10XLBK	10	.214	.233	1.36	LOOSE PIECE
190730192	C-830-14XLBK	*	.278			
190730203	C-830-56XLBK	*	.340			
190730272	C-830-10XXBX	10	.214	.320	1.34	LOOSE PIECE
190730273	C-830-14XXBK	*	.278			
190730274	C-830-56XXBK	*	.340			
190730185	C-830-10XX	10	.214	.320	1.34	LOOSE PIECE
190730195	C-830-14XX	*	.278			
190730206	C-830-56XX	*	.340			
190730183	C-830-10XLBKT	10	.214	.233	1.36	TAPE MOUNT
190730193	C-830-14XLBKT	*	.278			
190730204	C-830-56XLBKT	*	.340			
190730272	C-830-10XXBXT	10	.214	.320	1.34	TAPE MOUNT
190730273	C-830-14XXBXT	*	.278			
190730274	C-830-56XXBXT	*	.340			
190730185	C-830-10XXT	10	.214	.320	1.34	TAPE MOUNT
190730195	C-830-14XXT	*	.278			
190730206	C-830-56XXT	*	.340			



NOTES:

1. TERMINAL MATERIAL: BRASS
FINISH: ELECTRO-TIN
2. FERRULE MATERIAL: BRASS
FINISH: ELECTRO-TIN.
3. INSULATION MATERIAL: BLACK NYLON
4. "MWID" = MAXIMUM WIRE INSULATION DIAMETER.

SALES DRAWING

NEW RELEASE EC NO. ETC2002-0191 DRW: HEB 02/01/16 CHK: HEB 02/01/16 APPR: RWD 02/01/16	QUALITY SYMBOLS MAJOR CRITICAL	GENERAL TOLERANCES: (UNLESS SPECIFIED) mm INCH	SCALE NO: ONE	DESIGN UNITS mm INCH	THIRD ANGLE PROJECTION	DIMENSIONS:		SHT	REV
						mm	INCH		
A	REV	DRAFT WHERE APPLICABLE MUST REMAIN WITHIN DIMENSIONS	DRAWN BY & DATE BRE 02/01/16	CHECKED BY & DATE HEB 02/01/16	APPROVED BY & DATE RWD 02/01/16	TITLE: AVIKRIMP RAILROAD RING TONGUE TERMINALS 12-10 AWG			
						MOLEX INCORPORATED			
			CAD FILENAME SD-19058-006 _DGN	MATERIAL NO. SEE CHART	DRAWING NO. SD-19058-006	SHEET NO. 1 OF 1			