

Excellent Integrated System Limited

Stocking Distributor

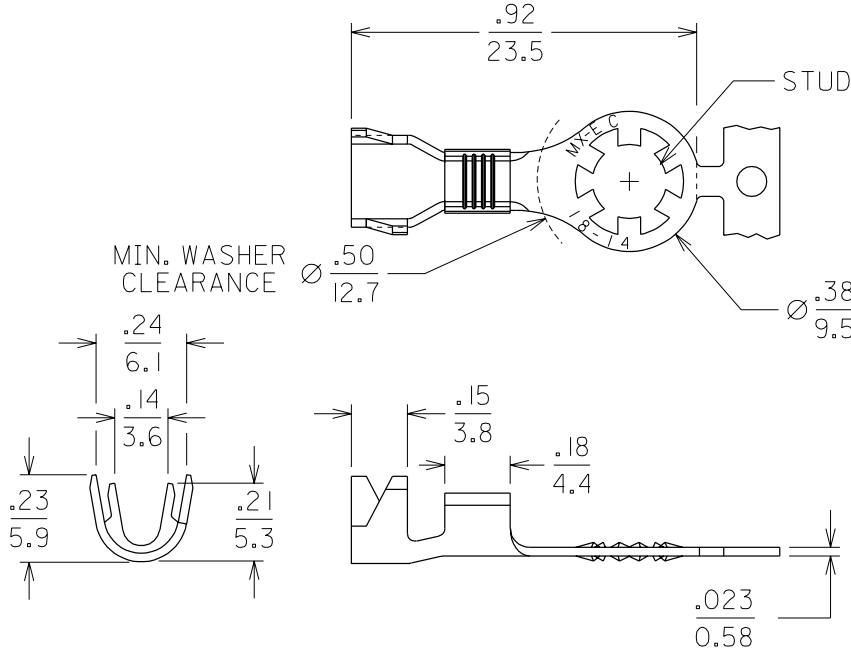
Click to view price, real time Inventory, Delivery & Lifecycle Information:

[Molex Connector Corporation](#)
[0190840010](#)

For any questions, you can email us directly:
sales@integrated-circuit.com

MATERIAL NUMBER	PART NUMBER	STUD SIZE #.010/(0.25)	MATERIAL	PLATING
I90840001	SRZ-0129-06	#6 = .146/(3.71)	BRASS	NONE
I90840002	SRZ-0129-08	#8 = .173/(4.39)	BRASS	NONE
I90840003	SRZ-0129-10	#10 = .198/(5.03)	BRASS	NONE
I90840004	SRZ-4129-06	#6 = .146/(3.71)	BRASS	TIN
I90840005	SRZ-4129-08	#8 = .173/(4.39)	BRASS	TIN
I90840006	SRZ-4129-10	#10 = .198/(5.03)	BRASS	TIN
I90840007	SRZ-S-4129-06	#6 = .146/(3.71)	STEEL	TIN
I90840008	SRZ-S-4129-08	#8 = .173/(4.39)	STEEL	TIN
I90840009	SRZ-S-4129-10	#10 = .198/(5.03)	STEEL	TIN

NOTES:
1. WIRE SIZE: 18-14 AWG
0.7-2.6 MM²



CUSTOMER DRAWING

DIMENSIONS SHOWN (METRIC) INCH		REVISE ONLY ON CAD SYSTEM	
UNLESS OTHERWISE SPECIFIED TOLERANCES: ANGULAR ± 1/2°		TITLE	
1 PLACE ± .005 ± ---		OPEN BARREL STRIP	
2 PLACE ± .01 ± 0.13		STAR RING 18-14 AWG	
3 PLACE ± --- ± 0.25		WITH VIBRATION SUPPORT	
DRAFT WHERE APPLICABLE MUST REMAIN WITHIN DIMENSIONS		ETC INC. SHEET NO. DATE	
DRAWING BY: JH		PINELLAS PARK, FLA. 33781 U.S.A. 05/05/95	
CHECKED BY: RWD		PART NO. SD-19084-001	
APPROVED BY: RWD		SEE CHART	
SCALE: NO:NE		FILE NAME: 19084001.DGN	
		THIS DRAWING CONTAINS INFORMATION THAT IS PROPRIETARY TO MOLEX-ETC INC. AND SHOULD NOT BE USED WITHOUT WRITTEN PERMISSION.	
		DIV. SIZE	

A RELEASE NEW CUSTOMER DRAWING ET 19999-0051 05/14

L.T.R. REVISIONS