

Excellent Integrated System Limited

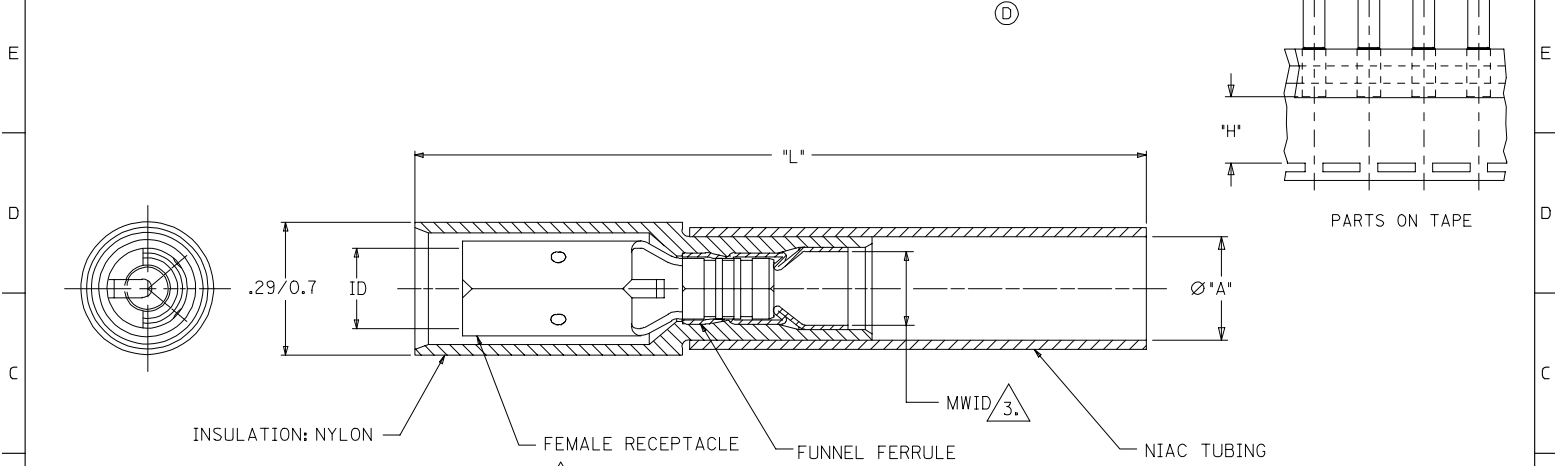
Stocking Distributor

Click to view price, real time Inventory, Delivery & Lifecycle Information:

[Molex Connector Corporation](#)
[0191640055](#)

For any questions, you can email us directly:
sales@integrated-circuit.com

MATERIAL NUMBER	ENGINEERING NUMBER	MATERIAL NUMBER ON TAPE	ENGINEERING NUMBER ON TAPE	AWG	COLOR CODE	MWID	"ID" MIN	"L" MAX	"A" MIN	H ±.01/.3
191640052	SBRA-8156N	N/A	N/A	22-18	RED	.13/3.3	.156/3.96	1.58/40.1	.235/5.97	N/A
191640053	SBRA-8180N	N/A	N/A	22-18	RED	.13/3.3	.180/4.57	1.60/40.6	.235/5.97	N/A
191640054	SBRB-8156N	191640414	SBRB-8156NT	16-14	BLUE	.15/3.81	.156/3.96	1.60/40.6	.230/5.84	.39/9.9
191640055	SBRB-8180N	N/A	N/A	16-14	BLUE	.15/3.81	.180/4.57	1.60/40.6	.230/5.84	N/A



- NOTES:
- 1. TERMINAL MATERIAL: COPPER PLATING: TIN
 - 2. INSULATION MATERIAL: HEAT SHRINKABLE NIAC TUBING W/ HOT-MELT ADHESIVE INNER LINER
 - 3. MWID= MAXIMUM WIRE INSULATION DIAMETER

CHANGED "A" DIM EC NO. ETC2006-0154 DRAWN: SAYDEH 2005/12/21 CHKD: LONASTR0005/12/21 APPR: JPAWLICK 2005/12/21	QUALITY SYMBOLS ◻ 0 ▽ 0	GENERAL TOLERANCES (UNLESS SPECIFIED)		SCALE 1:1	DESIGN UNITS INCH	THIRD ANGLE PROJECTION	REVISE ON CAD ONLY	
		4 PLACES ± .005 ± .005	3 PLACES ± .005 ± .005	DIMENSION STYLE IN/MM		TITLE FULLY INSULATED AVIKRIMP PERMA-SEAL BULLET RECEPT .156/3.96-.180/4.57 DIA.		
		2 PLACES ± .025 ± .01	1 PLACE ± .05 ± .02	DRAWN BY BENDERLE	DATE 2004/09/08	MATERIAL NO. MOLEX INCORPORATED		
		ANGULAR ± 5°		CHECKED BY R DEROSS	DATE 2004/09/08	DOCUMENT NO. SD-19164-035	SHEET NO. 1 OF 1	THIS DRAWING CONTAINS INFORMATION THAT IS PROPRIETARY TO MOLEX INCORPORATED AND SHOULD NOT BE USED WITHOUT WRITTEN PERMISSION