

Excellent Integrated System Limited

Stocking Distributor

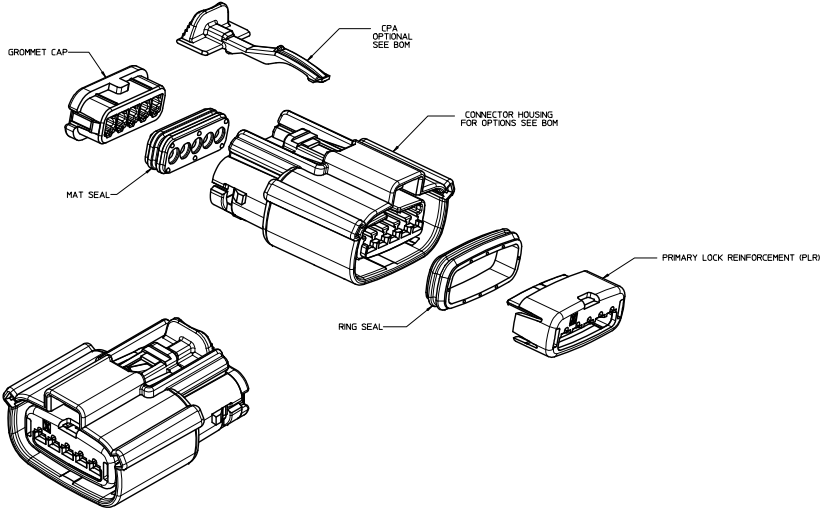
Click to view price, real time Inventory, Delivery & Lifecycle Information:

[Molex Connector Corporation](#)
[0334710502](#)

For any questions, you can email us directly:

sales@integrated-circuit.com

TABLE OF CONTENTS	
SHEET NO.	SHEET DESCRIPTION
1	NOTES
2	KEY CONFIGURATIONS
3	RECEPTACLE SEALED ASSEMBLY
4	BOM



NOTES: VALID UNLESS OTHERWISE SPECIFIED

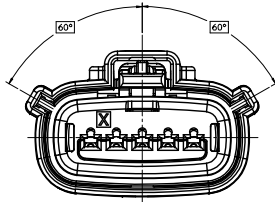
1. GENERAL:
 - a. APPLICATION SPECIFICATION SEE: AS-33472-100
 - CONTAINS: PRODUCT INTRODUCTION, PRODUCT SUMMARY, CONNECTOR ASSEMBLY, PACKAGING INFORMATION, CONNECTOR MATING, SERVICE INSTRUCTIONS, ELECTRICAL CONTINUITY CHECKING, CRIMPING, AND TROUBLESHOOTING.
 - DESIGNED TO MATE WITH DEVICE CONNECTION AS SPECIFIED IN DRAWING ENCAP-100-S-005-1-203, AVAILABLE AT <http://enccp.com/secure/005-005-1-203>
 - DESIGNED TO MATE WITH BLADE SEALED ASSEMBLY AS SPECIFIED IN DRAWING SD-33481-051
 - FOR 15mm RECEPTACLE TERMINALS TO BE USED WITH THIS ASSEMBLY, SEE MOLEX DRAWING SD-33012-002.
 - SYSTEM TO BE USED WITH WIRE WITHIN DIAMETER RANGE OF 1.2mm TO 2.69mm.
 - ASSEMBLY SHIPPED WITH PLR AND CPA IN PRE-LOCK POSITION (SEE SECTION 2-2 PRE-LOCK).
 - IN THE EVENT THAT THE PLR IS FOUND IN THE SEATED (FINAL LOCK) POSITION, REFER TO MOLEX SPECIFICATION PS-34644-001, AVAILABLE AT www.molex.com <http://www.molex.com>
 - ASSEMBLY CONFORMS TO SAE/USCAR-2 REV.4 WITH THE FOLLOWING EXCEPTIONS: ENGAGEMENT FORCE TO MOVE CPA FROM PRE-LOCK TO FINAL LOCK POSITION WHEN UNMATED: 40N MIN.
 - DISENGAGEMENT FORCE TO MOVE CPA FROM FINAL LOCK TO PRE-LOCK POSITION: 3N MIN, 40N MAX.
 - TERMINAL INSERTION FORCE FOR WIRE DIAMETER ABOVE 2.5mm NOT EXCEEDING 2.69mm SHALL NOT EXCEED 40 NEWTONS.
 - b. PRODUCT SPECIFICATION SEE: PS-33471-000
 - CONTAINS: PRODUCT INTRODUCTION, PRODUCT SUMMARY, RATINGS (CURRENT, TEMPERATURE, SEALING, AND FLAMMABILITY), AND PRODUCT VALIDATION.
 - c. PACKAGING SPECIFICATION PER MOLEX DRAWING: PK-31900-903
 - d. PARTS MUST BE IN COMPLIANCE TO MOLEX CHEMICAL SUBSTANCES FOR PRODUCTS AND PACKAGING SPECIFICATION: ES-40000-5016
 - e. DATA MUST BE SUBMITTED UNDER THE MOLEX PART NUMBER TO IMDS (COMPANY ID#13255)
2. DESIGN - MATERIALS:
 - a. SEE BOM TABLE
3. DESIGN - GEOMETRY:
 - a. THIS IS A 100% CAD GENERATED PART. THE CAD MATHEMATICAL DATA IS THE MASTER FOR THIS PART. FOR DIMENSIONAL OR ANY INFORMATION NOT SHOWN ON THIS DRAWING, ANALYZE THE CAD MODEL.
 - b. GEOMETRIC DIMENSIONS AND TOLERANCES PER ASME Y14.5M - 1994
 - c. EDGES AND UNDIMENSIONED DETAILS PER ISO13715
 - d. CORNERS SHOWN AS SHARP TO R 0.2 MAX.
 - e. LETTERING SHALL BE 0.8 MAX RAISED IN 0.25 MAX RECESS PAD. THIS INCLUDES RECYCLING CODE, CAVITY ID, VENDOR IDENTIFICATION, AND CUSTOMER MATERIAL NUMBER.
 - f. VISUAL DEFECTS SHALL MEET COSMETIC STANDARD PS-45499-002 (Class B)
 - g. LASER MARKING: TBD

INSPECTION BALLOON NUMBER LOG	
PER DRAWING REVISION:	M3
LAST BALLOON NUMBER USED:	4
ADDED BALLOON NUMBERS:	1a, 2a
REMOVED BALLOON NUMBERS:	

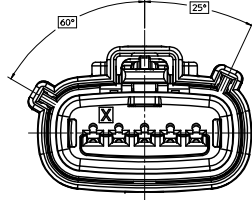
SEE REV. COLUMN FOR BALLOON NUMBERS DRAWN BY: M7 CHECKED BY: M7 APPROVED BY: M7 DATE: 2012/06/01	QUALITY SYMBOLS ∇=0 ∇=0 ∇=0	GENERAL TOLERANCES (UNLESS SPECIFIED) 4 PLACES ±0.15 3 PLACES ±0.10 2 PLACES ±0.2 1 PLACE ±0.2 0 PLACE ±	DIMENSION STYLE MM ONLY DRAWN BY: M7 DATE: 2012/06/01 CHECKED BY: M7 DATE: 2012/06/01 APPROVED BY: M7 DATE: 2012/06/01	TITLE MX150 1X5 RECEPTACLE SEALED ASSEMBLY MAT SEAL molex
	DRAFT WHERE APPLICABLE MUST REMAIN WITHIN DIMENSIONS	MATERIAL NO. SEE BOM	DOCUMENT NO. SD-33471-051	SHEET NO. 1 OF 3
	THIS DRAWING CONTAINS INFORMATION THAT IS PROPRIETARY TO MOLEX AND SHOULD NOT BE USED WITHOUT WRITTEN PERMISSION			
	THIRD ANGLE PROJECTION			

REV	DESCRIPTION
M7	ADD NEW P/N 33471-0542
M6	CHANGE THE STATUS TO SALEABLE FROM TOOLED BUT NOT VALIDATED FOR DK GREY AND ST GREY
M5	UPDATE 33471-0503 33471-0504 33471-0508 33471-0509 PRODUCTION STATUS
M4	UPDATED SHEET 3 NOMENCLATURE
M3	UPDATED PACKAGING DIMENSIONS
M2	UPDATED COMPONENT BOM
M1	UPDATED WIRE DIAMETER RANGE
M	UPDATED NOTE 1c
L	UPDATE PER PRODUCTION DESIGN

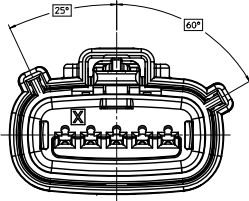
KEY CONFIGURATIONS



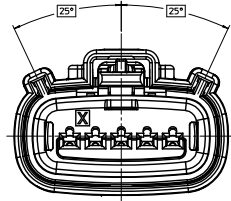
KEY A



KEY B

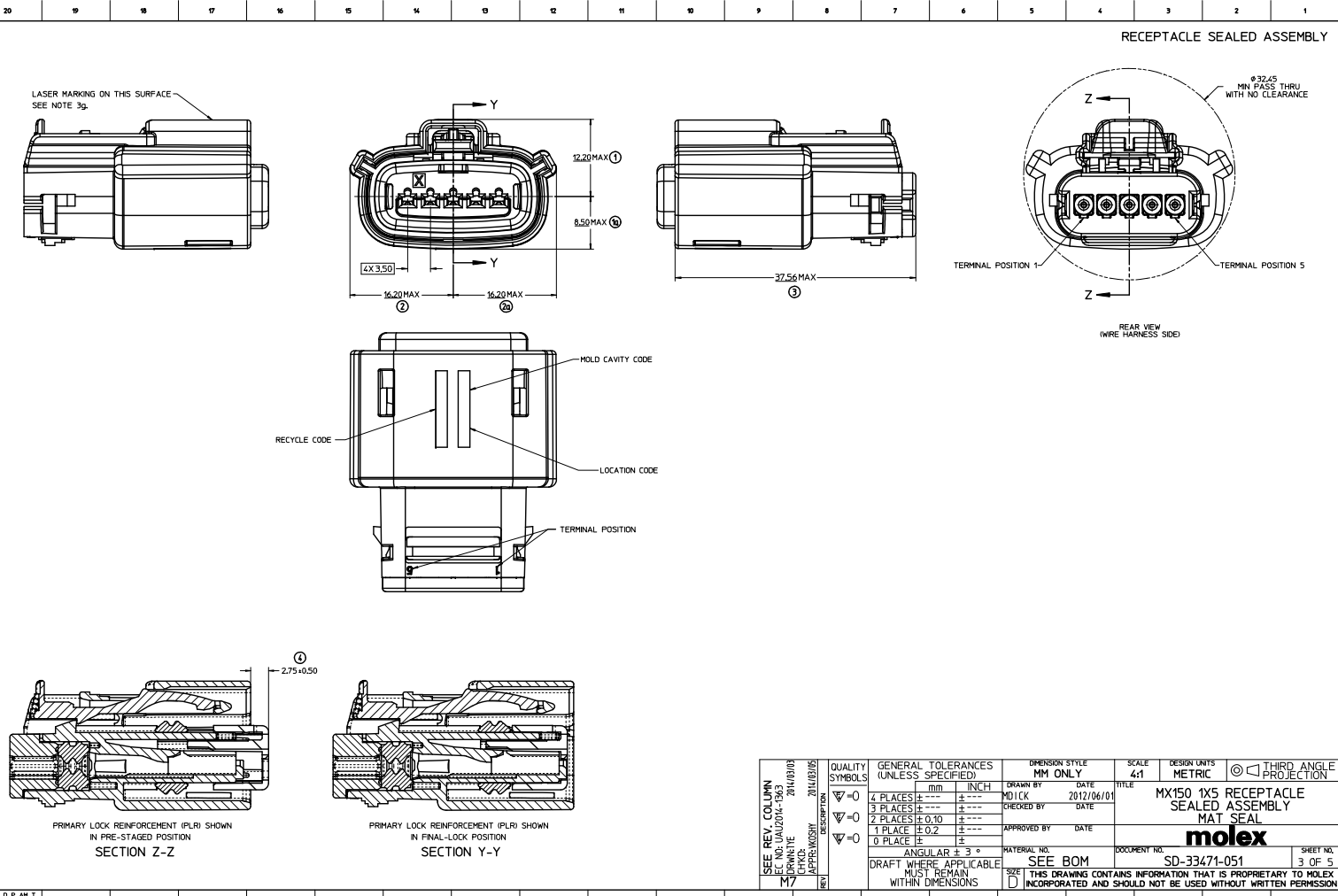


KEY C



KEY D

SEE KEY COLUMN REC. NO. UAL2004-1943 DRAWN BY: 20/03/08 M7 CHKD: APPR: M0001016 ENG:	QUALITY SYMBOLS	GENERAL TOLERANCES (UNLESS SPECIFIED)	DIMENSION STYLE MM ONLY	SCALE 4:1	DESIGN UNITS METRIC	THIRD ANGLE PROJECTION	
	4 PLACES ± 0.1 3 PLACES ± 0.15 2 PLACES ± 0.2 1 PLACE ± 0.3 0 PLACE ± 0.5	mm INCH ± 0.1 ± 0.004 ± 0.15 ± 0.006 ± 0.2 ± 0.008 ± 0.3 ± 0.012 ± 0.5 ± 0.020	DRAWN BY: MD1CK DATE: 2012/06/10 CHECKED BY: DATE:	TITLE MX150 1X5 RECEPTACLE SEALED ASSEMBLY MAT SEAL			
	ANGULAR ± 3° DRAFT WHERE APPLICABLE MUST REMAIN WITHIN DIMENSIONS	MATERIAL NO. SEE BOM SIZE D	APPROVED BY: DATE:	DOCUMENT NO. SD-33471-051			
			MOLEX		SHEET NO. 2 OF 5		



SEE REV. COLUMN DEC. 10/12/04-563 28/10/05 APPROVED BY M7	QUALITY SYMBOLS	GENERAL TOLERANCES (UNLESS SPECIFIED)	DIMENSION STYLE MM ONLY	SCALE 4:1	DESIGN UNITS METRIC	THIRD ANGLE PROJECTION
	▽=0	4 PLACES ± mm INCH	DRAWN BY MOLIC	DATE 2012/06/01	TITLE MX150 1X5 RECEPTACLE SEALED ASSEMBLY MAT SEAL	
	▽=0	3 PLACES ± 0.10	CHECKED BY	DATE	molex	
	▽=0	2 PLACES ± 0.2	APPROVED BY	DATE	MATERIAL NO. SEE BOM	DOCUMENT NO. SD-33471-051
	1 PLACE ±	ANGULAR ± 3°	DRAFT WHERE APPLICABLE MUST REMAIN WITHIN DIMENSIONS			
	0 PLACE ±		SIZE D THIS DRAWING CONTAINS INFORMATION THAT IS PROPRIETARY TO MOLEX INCORPORATED AND SHOULD NOT BE USED WITHOUT WRITTEN PERMISSION			

KEY DESCRIPTION	PART NUMBER	A	B	C	D	GCO	CPA	1	2	3	4	5	STATUS	COMMENTS
KEY A W/ CPA, BLACK	33471-0541												SALEABLE	
KEY D W/ CPA, STONE GRAY	33471-0540												SALEABLE	
KEY C W/ CPA, DARK GRAY	33471-0539												SALEABLE	
KEY D, STONE GRAY	33471-0538												SALEABLE	
KEY C, DARK GRAY	33471-0537												SALEABLE	
KEY A W/ CPA, BLACK	33471-0536												SALEABLE	
VOID KEY	33471-0535													
KEY D, GREEN	33471-0534												OBSOLETE	
KEY C, BROWN	33471-0533												OBSOLETE	
KEY B, LIGHT GRAY	33471-0532												TOOLED BUT NOT VALIDATED	
KEY A, BLACK	33471-0531												SALEABLE	
VOID KEY	33471-0530													
KEY D W/ CPA, GREEN	33471-0529												OBSOLETE	
KEY C W/ CPA, BROWN	33471-0528												OBSOLETE	
KEY B W/ CPA, LIGHT GRAY	33471-0527												TOOLED BUT NOT VALIDATED	
KEY A W/ CPA, BLACK	33471-0526												SALEABLE	
VOID KEY	33471-0525													
KEY D, GREEN	33471-0524												OBSOLETE	
KEY C, BROWN	33471-0523												OBSOLETE	
KEY B, LIGHT GRAY	33471-0522												TOOLED BUT NOT VALIDATED	
KEY A, BLACK	33471-0521												SALEABLE	
VOID KEY	33471-0520													
KEY D W/ CPA, GREEN	33471-0519												OBSOLETE	
KEY C W/ CPA, BROWN	33471-0518												OBSOLETE	
KEY B W/ CPA, LIGHT GRAY	33471-0517												TOOLED BUT NOT VALIDATED	
KEY A W/ CPA, BLACK	33471-0516												SALEABLE	
VOID KEY	33471-0515													
KEY D, GREEN	33471-0514												OBSOLETE	
KEY C, BROWN	33471-0513												OBSOLETE	
KEY B, LIGHT GRAY	33471-0512												TOOLED BUT NOT VALIDATED	
KEY A, BLACK	33471-0511												SALEABLE	
VOID KEY	33471-0510													
KEY D W/ CPA, GREEN	33471-0509												NOT RECOMMENDED USE PLEASE USE 33471-0540	
KEY C W/ CPA, BROWN	33471-0508												NOT RECOMMENDED USE PLEASE USE 33471-0539	
KEY B W/ CPA, LIGHT GRAY	33471-0507												TOOLED BUT NOT VALIDATED	
KEY A W/ CPA, BLACK	33471-0506												SALEABLE	
VOID KEY	33471-0505													
KEY D, GREEN	33471-0504												NOT RECOMMENDED USE PLEASE USE 33471-0538	
KEY C, BROWN	33471-0503												NOT RECOMMENDED USE PLEASE USE 33471-0537	
KEY B, LIGHT GRAY	33471-0502												TOOLED BUT NOT VALIDATED	
KEY A, BLACK	33471-0501												SALEABLE	

ABBREVIATION	COMPONENT
A	HOUSING KEY A
B	HOUSING KEY B
C	HOUSING KEY C
D	HOUSING KEY D
GCO	GROMMET CAP (OPEN)
GCP	GROMMET CAP (PLUGGED)
M	MAT SEAL
R	RING SEAL
P	PLR, STANDARD
CPA	CPA

DESCRIPTION	COLOR	MATERIAL
BLOCKED TERMINAL		
CAVITY WITH A NUMBER INDICATES BLOCKED TERMINAL POSITION CAVITY WITHOUT A NUMBER INDICATES OPEN TERMINAL POSITION		
MAT SEAL	ROYAL BLUE	INHERENTLY LUBRICATED SILICONE
RING SEAL	ROYAL BLUE	INHERENTLY LUBRICATED SILICONE
PLR	NATURAL	SPS/NYLON GF20
CPA	RED	PBT GF30
GROMMET CAP (PLUGGED)	BLACK	SPS/NYLON GF20
GROMMET CAP (OPEN)	BLACK	SPS/NYLON GF20
HOUSING KEYING OPTION D	STONE GRAY	SPS/NYLON GF20
HOUSING KEYING OPTION C	DARK GRAY	SPS/NYLON GF20
HOUSING KEYING OPTION D	GREEN	SPS/NYLON GF20
HOUSING KEYING OPTION C	BROWN	SPS/NYLON GF20
HOUSING KEYING OPTION B	LIGHT GRAY	SPS/NYLON GF20
HOUSING KEYING OPTION A	BLACK	SPS/NYLON GF20

SEE REV. COLUMN FOR MOLDING DOWNSIDE M7 APPROVED BY DATE	QUALITY SYMBOLS $\nabla=0$ $\nabla=0$ $\nabla=0$	GENERAL TOLERANCES (UNLESS SPECIFIED) mm INCH 4 PLACES ± 0.15 ± 0.006 3 PLACES ± 0.25 ± 0.010 2 PLACES ± 0.50 ± 0.020 1 PLACE ± 1.00 ± 0.050 0 PLACE ± 1.50 ± 0.075 ANGULAR ± 30	DIMENSION STYLE MM ONLY DRAWN BY DATE MOICK 2012/06/01 CHECKED BY DATE APPROVED BY DATE	SCALE 2:1 DESIGN UNITS METRIC THIRD ANGLE PROJECTION	TITLE MX150 1X5 RECEPTACLE SEALED ASSEMBLY MAT SEAL 	MATERIAL NO. SEE BOM DOCUMENT NO. SD-33471-051 SHEET NO. 4 OF 5
	DRAFT WHERE APPLICABLE MUST REMAIN WITHIN DIMENSIONS THIS DRAWING CONTAINS INFORMATION THAT IS PROPRIETARY TO MOLEX INCORPORATED AND SHOULD NOT BE USED WITHOUT WRITTEN PERMISSION					

17	KEY A W/CPA, YELLOW	33471-0542	A	B	C	D	A	GCO	CPA	SALEABLE				
										1	2	3	4	5

MAT SEAL	ROYAL BLUE	INHERENTLY LUBRICATED SILICONE
RING SEAL	ROYAL BLUE	INHERENTLY LUBRICATED SILICONE
PLR	NATURAL	SPS/NYLON GF20
CPA	RED	PBT GF30
GROMMET CAP (PLUGGED)	BLACK	SPS/NYLON GF20
GROMMET CAP (OPEN)	BLACK	SPS/NYLON GF20
HOUSING KEYING OPTION A	YELLOW	SPS/NYLON GF20
HOUSING KEYING OPTION D	STONE GRAY	SPS/NYLON GF20
HOUSING KEYING OPTION C	DARK GRAY	SPS/NYLON GF20
HOUSING KEYING OPTION D	GREEN	SPS/NYLON GF20
HOUSING KEYING OPTION C	BROWN	SPS/NYLON GF20
HOUSING KEYING OPTION B	LIGHT GRAY	SPS/NYLON GF20
HOUSING KEYING OPTION A	BLACK	SPS/NYLON GF20
DESCRIPTION	COLOR	MATERIAL

BOM/APPLICABLE COMPONENTS TABLE

ENTER DESCRIPTION REV. NO./DATE DRAWN BY CHECKED BY APPROVED BY DATE	QUALITY SYMBOLS ∇=0 ∇=0 ∇=0	GENERAL TOLERANCES (UNLESS SPECIFIED)	DRAGON STYLE	SCALE	DESIGN UNITS	THIRD ANGLE PROJECTION
		mm INCH	MM ONLY	2:1	METRIC	
4 PLACES ±.0004 ±.0008		DRAWN BY	DATE	TITLE	MX150 1X5 RECEPTACLE SEALED ASSEMBLY MAT SEAL	
3 PLACES ±.0008 ±.0016		CHECKED BY	DATE		molex	
2 PLACES ±.0016 ±.0032		APPROVED BY	DATE			
1 PLACE ±.0032 ±.0064		MATERIAL NO.	SEE BOM	DOCUMENT NO.	SD-33471-051	SHEET NO. 5 OF 5
0 PLACE ±.0064 ±.0128		DRAFT WHERE APPLICABLE MUST REMAIN WITHIN DIMENSIONS				
D THIS DRAWING CONTAINS INFORMATION THAT IS PROPRIETARY TO MOLEX INCORPORATED AND SHOULD NOT BE USED WITHOUT WRITTEN PERMISSION						