

Excellent Integrated System Limited

Stocking Distributor

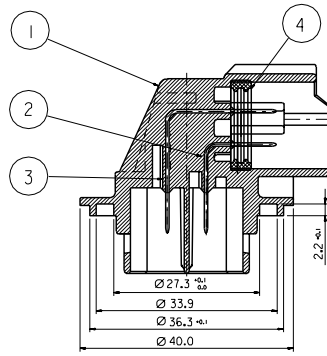
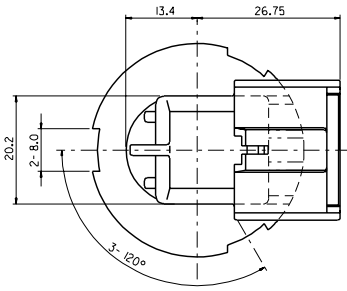
Click to view price, real time Inventory, Delivery & Lifecycle Information:

[Molex Connector Corporation](#)
[0353650610](#)

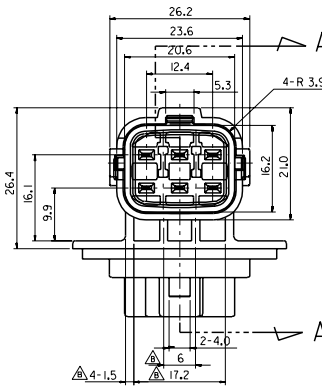
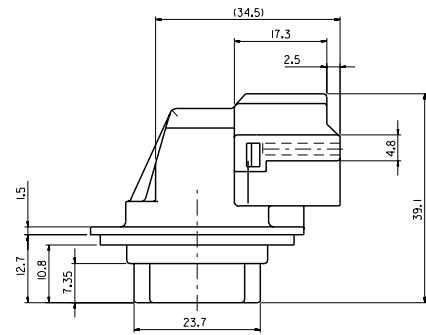
For any questions, you can email us directly:

sales@integrated-circuit.com

DWG. NO. SD-35365-007
 SIMILAR ITEM
 PROJECT NO. 35365-0610
 DO NOT SCALE DRAWING
 DIMENSION IN METRIC



SECTION A-A



NO	PART NAME	ENG. NO.	Q'TY	MATERIAL /FINISH
1	6P MALE HEADER ASS'Y	35365-0690	1	POLYESTR(PBT),BLK UL94HB
2	MALE TERMINAL(S)	35678-1702	3	BRASS,TIN PLATING
3	MALE TERMINAL(L)	35678-2302	3	BRASS,TIN PLATING
4	INNER SEAL	35903-0016	1	SILICONE-BROWN

NOTES

- MUST BE FREE OF FLASH ,SINK AND IMPERFECTIONS THAT AFFECT FUNCTION.
- THE DRAFT SHALL BE WITHIN TOLERANCE.
- IN AREAS MARKED FOR FINISHING THE DIE SHALL HAVE FLAT SURFACE.
- SEALING PARTS SHALL NOT LEAK MORE THAN 0.5kgf/cm² PRESSURE APPLIE.

REVISIONS EC NO. K0R0004-0084 DRAWN: SAKUMI 03/09/29 CHECKED: SAKUMI 03/09/29 APPROV: SAKUMI	QUALITY SYMBOLS MAJOR MINOR CRITICAL REVISION	GENERAL TOLERANCES: UNLESS SPECIFIED	SCALE 2:1	DESIGN UNITS <input checked="" type="checkbox"/> MM <input type="checkbox"/> INCH	DIMENSIONS: THRD ANGLE <input type="checkbox"/> INCH <input type="checkbox"/> MM <input type="checkbox"/> INCH <input type="checkbox"/> MM <input type="checkbox"/> MM ONLY	SHT REV
		4 PLACES ±0.15 3 PLACES ±0.1 2 PLACES ±0.25 1 PLACE ±0.25	DRAWN BY & DATE Y.SIK/KIM 98/04/12	CHECKED BY & DATE BACHHOI 98/04/13	APPROVED BY & DATE CW/LEE 98/04/13	TITLE FUEL PUMP FLANGE-6P HEADER ASS'Y
DRAFT WHERE APPLICABLE MUST REMAIN WITHIN DIMENSIONS		CAD FILENAME SD35365.dgn		MATERIAL NO. 35365-0610	DRAWING NO. SD-35365-007	MX-A2