

Excellent Integrated System Limited

Stocking Distributor

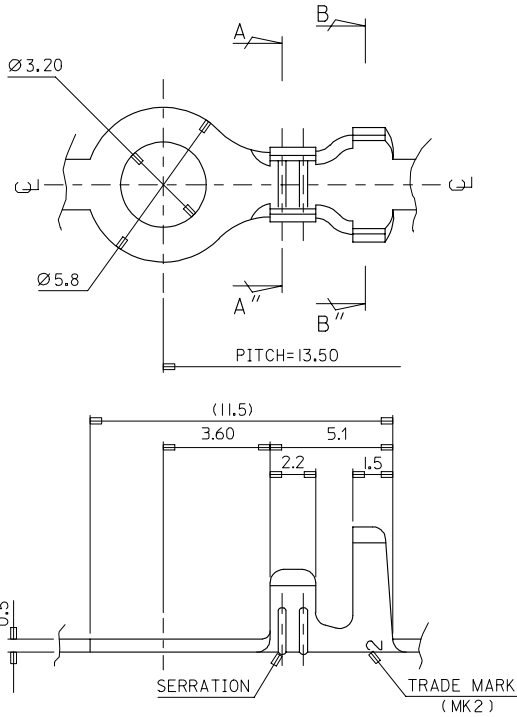
Click to view price, real time Inventory, Delivery & Lifecycle Information:

[Molex Connector Corporation](#)
[0357500510](#)

For any questions, you can email us directly:

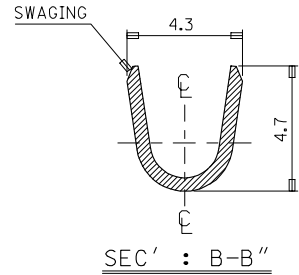
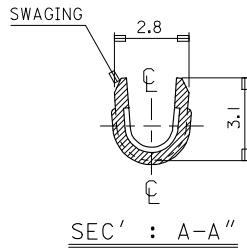
sales@integrated-circuit.com

DWG. NO. SD-35750-005
 SIMILAR ITEM
 PROJECT NO.
 C
 B
 DO NOT SCALE DRAWING
 DIMENSION IN METRIC



NOTES

1. MATERIAL : BRASS, 0.5mm THICKNESS
2. FINISH : 35750-0500 : UNPLATED
35750-0510 : POST PLATED TIN
35750-0560 : POST PLATED TIN (LEAD FREE)
3. RECOMMENDED LENGTH OF WIRE STRIP IS 2.9-3.4mm.
4. APPLICABLE WIRE RANGE : AWG#20 - #16



REVISED (REDRAWN) ECN NO. KOR 2006-0109 DRWN: JBJIN 06/03/06 CHK: W.YANG APPR: S.HCHOI	QUALITY SYMBOLS MAJOR CRITICAL	GENERAL TOLERANCES: (UNLESS SPECIFIED)		SCALE 7/1	DESIGN UNITS <input checked="" type="checkbox"/> mm <input type="checkbox"/> INCH	THIRD ANGLE PROJECTION	DIMENSIONS: <input type="checkbox"/> mm <input type="checkbox"/> INCH <input checked="" type="checkbox"/> mm ONLY		SHT	REV														
		<table border="1"> <thead> <tr> <th></th> <th>mm</th> <th>INCH</th> </tr> </thead> <tbody> <tr> <td>4 PLACES</td> <td>±0.</td> <td>±.</td> </tr> <tr> <td>3 PLACES</td> <td>±0.</td> <td>±.</td> </tr> <tr> <td>2 PLACES</td> <td>±0.15</td> <td>±.</td> </tr> <tr> <td>1 PLACE</td> <td>±0.2</td> <td>±.</td> </tr> </tbody> </table>		mm	INCH	4 PLACES	±0.	±.	3 PLACES	±0.	±.	2 PLACES	±0.15	±.	1 PLACE	±0.2	±.	DRAWN BY & DATE J.S.KANG 98/01/09	TITLE: Ø 3.2 RING TERMINAL(132)		MOLEX INCORPORATED			
			mm	INCH																				
		4 PLACES	±0.	±.																				
3 PLACES	±0.	±.																						
2 PLACES	±0.15	±.																						
1 PLACE	±0.2	±.																						
ANGULAR: ± 1° DRAFT WHERE APPLICABLE MUST REMAIN WITHIN DIMENSIONS	CHECKED BY & DATE B.K.CHOI 98/01/12	APPROVED BY & DATE B.K.CHOI 98/01/12		CAD FILENAME e7500500.dgn	MATERIAL NO. SEE NOTES	DRAWING NO. SD-35750-005	SHEET NO. 1 OF 1	SIZE B																
REV DESCRIPTION	THIS DRAWING CONTAINS INFORMATION THAT IS PROPRIETARY TO MOLEX INCORPORATED AND SHOULD NOT BE USED WITHOUT WRITTEN PERMISSION.		KOREA		MX-A3																			

DWG. NO. SD-35750-05*0

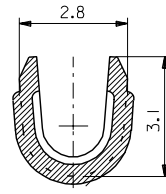
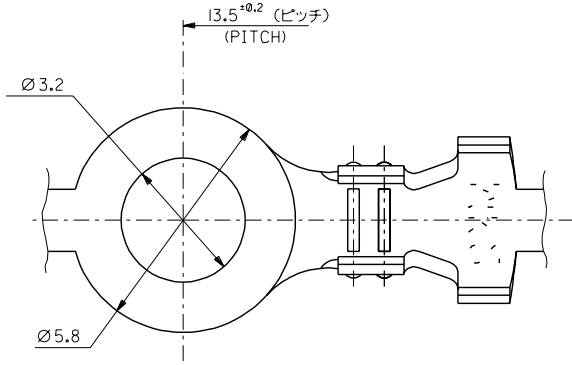
F

D

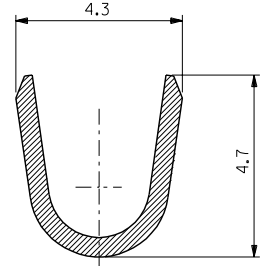
C

B

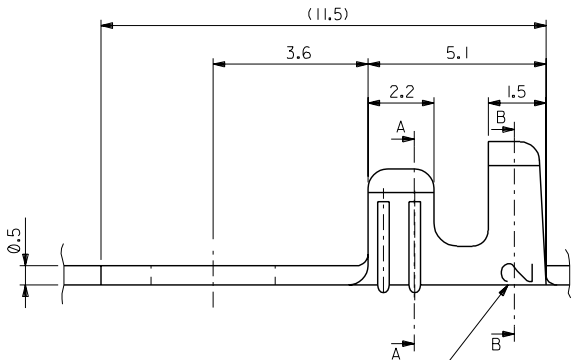
A



断面 A-A
SECT. A-A



断面 B-B
SECT. B-B



トレードマーク (MK2)
TRADE MARK (MK2)

注記
NOTES

- 1 一般公差 : ±0.3
GENERAL TOLERANCES : ±0.3
- 2 材料 : 黄銅 , 厚さ 0.5mm
MATERIAL : BRASS , 0.5mm THICKNESS
- 3 製品番号
ENG.NO.

製品番号 ENG. NO.	メッキ PLATING	梱包数 QUANTITY
35750-0500	メッキ無し NONE	10000/REEL
35750-0510	錫メッキ TIN PLATING	
35750-0540	半田メッキ TIN-LEAD PLATING	

- 4 推奨ストリップ長 : 2.9-3.4mm.
RECOMMENDED LENGTH OF WIRE STRIP : 2.9-3.4mm.

角度 ANGLE		±1°	材料 MATERIAL	注記参照 SEE NOTES	MOLEX-JAPAN CO.,LTD. 日本モレックス株式会社
30°以上 OVER		+0.3	仕上げ FINISH	注記参照 SEE NOTE	
10°以上 30°以下 OVER		+0.25	適用電線範囲 WIRE RANGE	AWG:#20-#16 0.5-1.38mmφ	REVISE ONLY ON CAD SYSTEM
10°以下 UNDER		+0.2	被覆 INS. RANGE	—	∅ 3.2 RING TERMINAL
一般公差 GENERAL TOLERANCES			記号 LTR	変更内容 REVISION RECORD	DWG. NO.
			D	変更 REVISED	SD-35750-05*0
			C	新規作成 RELEASED	REV
				DR	D
				CHK	

THIS DRAWING CONTAINS INFORMATION THAT IS PROPRIETARY TO MOLEX(JAPAN) AND SHOULD NOT BE USED WITHOUT WRITTEN PERMISSION
本図面は日本モレックス(株)の所有する情報を含むもので 当社の許可なく複製を禁止する。 EN-01C(032)MXJ-32