

Excellent Integrated System Limited

Stocking Distributor

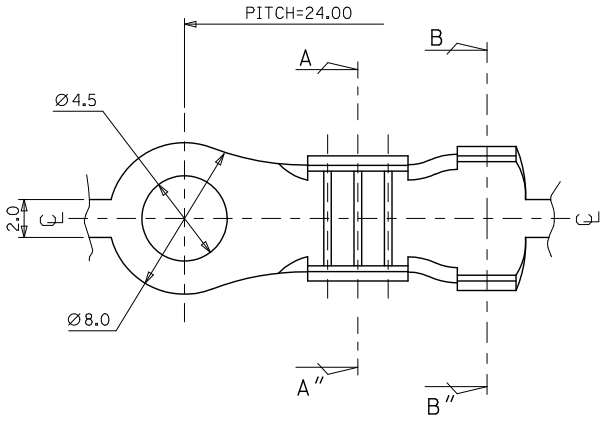
Click to view price, real time Inventory, Delivery & Lifecycle Information:

[Molex Connector Corporation](#)
[0357501710](#)

For any questions, you can email us directly:

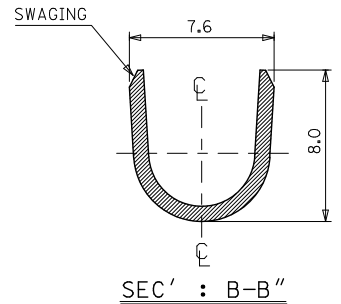
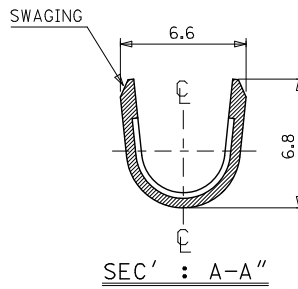
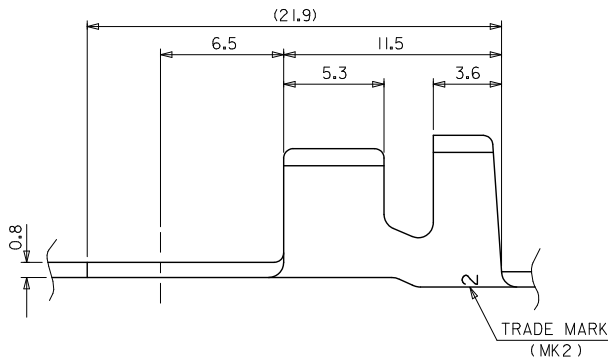
sales@integrated-circuit.com

10 9 8 7 6 5 4 3 2 1



NOTES.

1. MATERIAL : BRASS 0.8 THICKNESS
2. FINISH : 35750-1700 : UNPLATED
35750-1710 : POST PLATED TIN
3. APPLICABLE WIRE : AWG#8~AWG#14[®]
INSULATION RANGE ϕ 5.4 MAX[®]
4. RECOMMENDED LENGTH OF WIRE STRIP IS 7.0~7.8mm[®]



REVISED EC. NO.: KOR2012-0111 DRAWN: HYUN CHKD: SH. CHU APPR: YSK.M02 2012/04/24 2012/04/25	QUALITY SYMBOLS	GENERAL TOLERANCES (UNLESS SPECIFIED)	DIMENSION STYLE	SCALE	DESIGN UNITS	THIRD ANGLE PROJECTION
	▼=0 ▽=0	mm INCH 4 PLACES ± --- ± --- 3 PLACES ± --- ± --- 2 PLACES ± --- ± --- 1 PLACE ± 0.3 ± --- 0 PLACE ± --- ± ---	MM ONLY	1:1	METRIC	☉ □ THIRD ANGLE PROJECTION
	ANGULAR ± 1° DRAFT WHERE APPLICABLE MUST REMAIN WITHIN DIMENSIONS	DRAWN BY JS.KANG CHECKED BY BK. CHOI APPROVED BY YSK1M02 DATE 1993/07/08 DATE 1993/07/08 DATE 2012/04/25	TITLE			4.5 RING TM(LA204)
		MATERIAL NO. SEE NOTES DOCUMENT NO. SD-35750-17*0 SHEET NO. 1 OF 1				molex

9 8 7 6 5 4 3 2 1