

Excellent Integrated System Limited

Stocking Distributor

Click to view price, real time Inventory, Delivery & Lifecycle Information:

[B&B Electronics](#)
[485PS2](#)

For any questions, you can email us directly:

sales@integrated-circuit.com

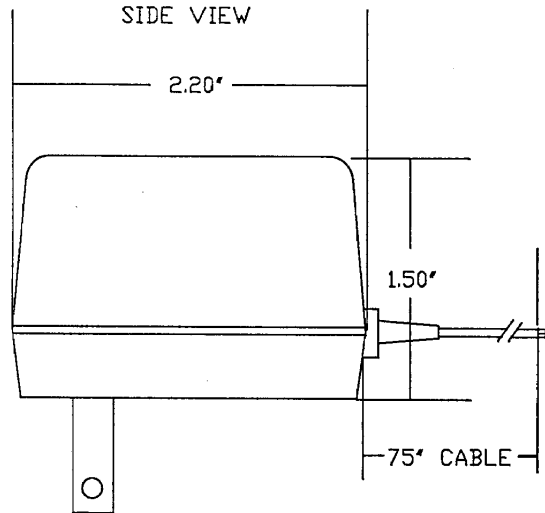
485PS2 Power Supply - pg. 1/1

Model 485PS2

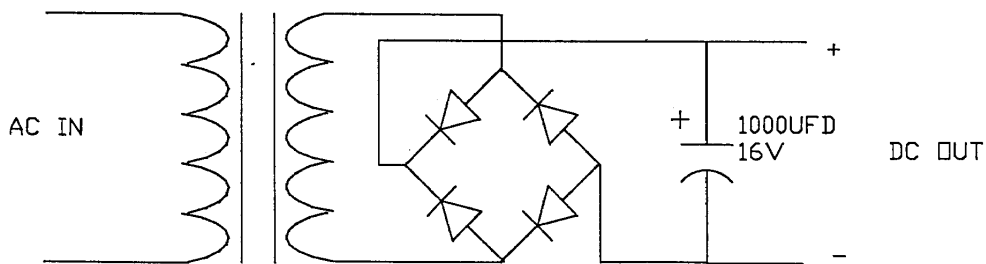
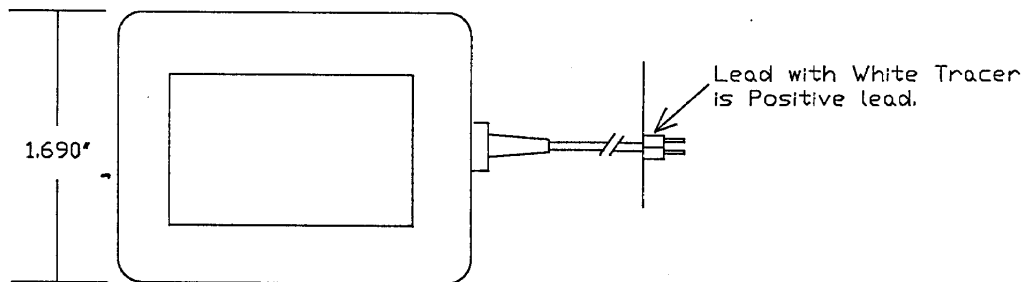
B&B ELECTRONICS MFG. CO.

OTTAWA, IL 61350

SIDE VIEW



TOP VIEW



INPUT: 120VAC, 60HZ, 3W
 OUTPUT: 12VDC, 100MA.
 OPERATING TEMPERATURE: 0° - 40 °C
 STORAGE TEMPERATURE: -20° - 70 °C
 DIELECTRIC STRENGTH: 1500VAC FOR 1 MIN.
 WEIGHT=5.8 OZ.
 UL and CSA APPROVED.

REF: AD-1210

B & B ELECTRONICS	
ORIG. MAR. 15, 1994	RLH & CAF
485 CONVERTER POWER SUPPLY	
FILE=485PS2	
MODEL 485PS2	
SHT 1	OF 1

© B&B Electronics

Phone: (815) 433-5100
 Office Fax: (815) 433-5105
 Tech Fax: (815) 433-5104
 Sales Fax: (815) 433-5109

B & B electronics
MANUFACTURING COMPANY
 707 Dayton Road -- P.O. Box 1040 -- Ottawa, IL 61350 USA

Home Page: www.bb-elec.com
 E-mail: orders@bb-elec.com
 support@bb-elec.com
 catrqs@bb-elec.com