

## Excellent Integrated System Limited

Stocking Distributor

Click to view price, real time Inventory, Delivery & Lifecycle Information:

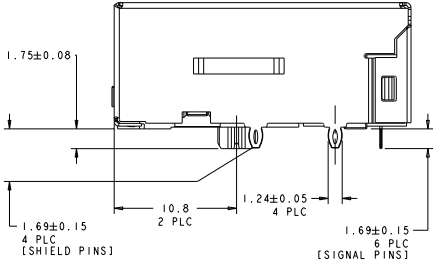
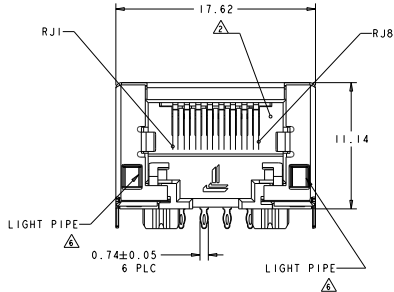
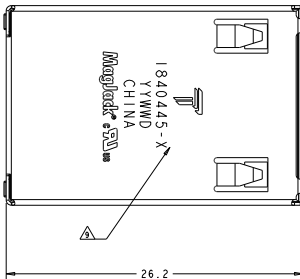
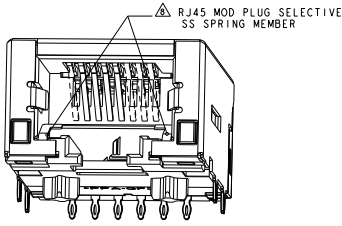
[Bel Fuse Inc.](#)  
[1840445-1](#)

For any questions, you can email us directly:  
[sales@integrated-circuit.com](mailto:sales@integrated-circuit.com)

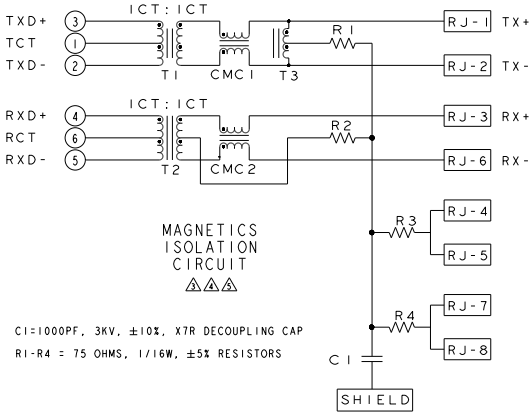
THIS DRAWING AND THE SUBJECT MATTER SHOWN THEREON ARE CONFIDENTIAL AND THE PROPERTY OF BEL/STEWART/TRP CONNECTOR AND SHALL NOT BE REPRODUCED, COPIED, OR USED IN ANY MANNER WITHOUT THE WRITTEN CONSENT OF TRP CONNECTOR.

PRODUCT MAY BE PROTECTED BY ONE OR MORE OF THE FOLLOWING US PATENTS:  
 5136910 5938955 6425781 6428361 6554638 6840817 7123117  
 7429195 7717749 7808751 8217391 8149050 7924130

REVISIONS			
REV	DESCRIPTION	DATE	BY
D	LOGO CHANGE	24/04/13	TY KZ
E	EE-141035 COMPANY LOGO CHANGE	13/06/15	TYR



814 10/100 BASE-T CIRCUIT



C1=1000PF, 3KV, ±10%, X7R DECOUPLING CAP  
 R1-R4 = 75 OHMS, 1/16W, ±5% RESISTORS

1. MATERIALS:  
 -HOUSING: HIGH TEMPERATURE NYLON, BLACK, UL 94V-0  
 -SHIELD: 0.25mm THICK, BRASS PREPLATED WITH 0.76 um MIN SEMI-BRIGHT NICKEL; POST-DIPPED WITH 2 um MIN SAC ALLOY LEAD FREE SOLDER  
 -CONTACT TAILS: 0.20mm THICK, PHOSPHOR BRONZE, 1.27 um MIN OVERALL NICKEL UNDERPLATE, 3 um MIN TIN PLATE  
 -MOD JACK CONTACTS: 0.25mm THICK, PHOSPHOR BRONZE, 1.27 um MIN OVERALL NICKEL UNDERPLATE, WITH 0.76um MIN LOCALIZED GOLD PLATE AT PLUG INTERFACE  
 -LIGHT PIPE: POLYETHER SULFONE

△ RJ45 JACK CAVITY CONFORMS TO FCC RULES AND REGULATIONS PART 68, SUB-PART F.

- △ MAGNETICS:  
 -APPLICATION: 10/100 BASE-T  
 -IMPEDANCE: 100Ω  
 -TURNS RATIO (CHIP:CABLE): TX 1:1, RX: 1:1  
 -OPEN CIRCUIT INDUCTANCE (OCL): 350uH (MIN) @100KHz, 0.1 VRMS  
 -8 mA DC BIAS FROM 0°C TO 70°C, TX AND RX  
 -PERFORMANCE @25°C:

FREQUENCY	RETURN LOSS (dB MIN) CIRCUIT IMPEDANCE = 100 OHMS ±15%
0.5 MHz-30 MHz	18
30.1 MHz-60 MHz	18-20 log(f/30) f IS FREQUENCY IN MHz
60.1 MHz-80 MHz	12

FREQUENCY	INSERTION LOSS (dB MAX)	COMMON MODE REJECTION RATIO (dB MIN)	CROSSTALK ATTENUATION (dB MIN)
0.5 MHz-40 MHz	1.1	30	35
40.1 MHz-100 MHz			33-20log(f/50) (f IS FREQUENCY IN MHz)

- ISOLATION VOLTAGE: COMPLIES WITH IEEE802.3.2002, PARA 23.5.1.1, ITEM a AND b.

- △ THE MAGNETICS ARE ASYMMETRICAL, AND DO NOT SUPPORT AUTO-MDIX.
- △ OPERATING TEMPERATURE: FROM 0°C TO +70°C.
- △ LIGHT PIPES ARE USED TO TRANSMIT LIGHT OF SMD LED'S MOUNTED ON CUSTOMER BOARD.
- △ ALL DIMENSIONS ARE NOMINAL UNLESS OTHERWISE NOTED.

△ RJ45 MOD PLUG SELECTIVE - THIS CONNECTOR UTILIZES STEEL SPRING MEMBER WHICH PREVENTS THE INSERTION OF A RJ11 (6 POSITION) PLUG INTO THE JACK PORT, WHILE ALLOWING A RJ45 (8 POSITION) PLUG TO MATE FREELY.

WARNING: THIS FEATURE WAS DEVELOPED FOR TYPICAL PLUG INSERTION FORCES. EXCESSIVE INSERTION FORCE MAY OVERCOME THE SELECTIVE FEATURES AND DAMAGE THE CONNECTOR.

△ TRP CONNECTOR LOGO, TRADEMARK, PART NUMBER, DATE CODE, COUNTRY OF ORIGIN, AND AGENCY APPROVAL MARKING IN APPROXIMATE LOCATION SHOWN

10 1840445-1 SHOWN UNLESS OTHERWISE NOTED.

TOP AND SIDES	1840445-2
NONE	1840445-1
TABS	PART NO.

THIS DRAWING IS A CONTROLLED DOCUMENT			
DRAWN BY: [ ] CHECKED BY: [ ] DATE: [ ]	DESIGNED BY: [ ] CHECKED BY: [ ] DATE: [ ]	TITLE: MAGJACK SINGLE NON-POE	PART NO: 1840445 REV: 1
PROJECT NO: 100-100009 DRAWING TYPE: CUSTOMER DRAWING		DONGGUAN CHINA PRESS FIT NO LED W/ LIGHT PIPE BELFUSE	

