

## Excellent Integrated System Limited

Stocking Distributor

Click to view price, real time Inventory, Delivery & Lifecycle Information:

[Bel Fuse Inc.](#)  
[6620004-1](#)

For any questions, you can email us directly:  
[sales@integrated-circuit.com](mailto:sales@integrated-circuit.com)



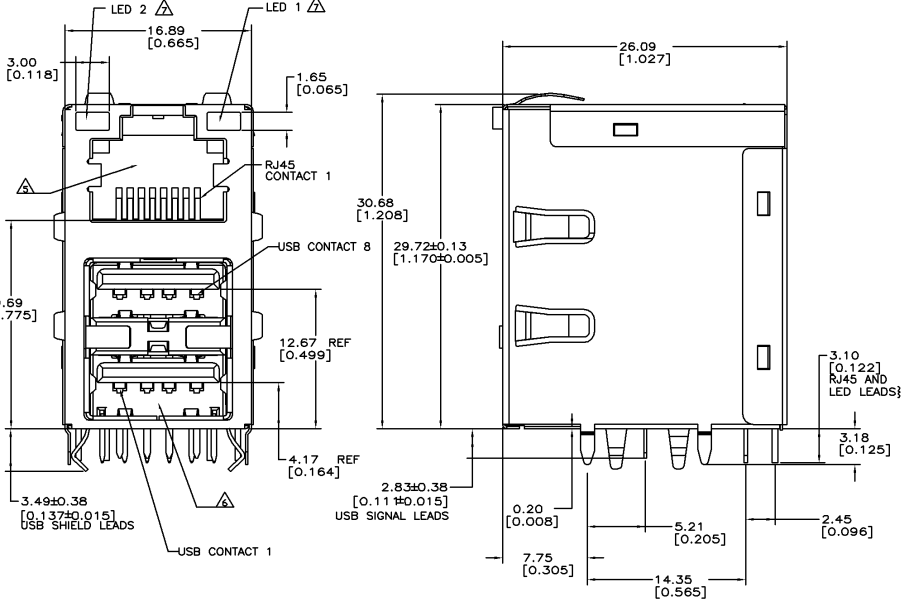
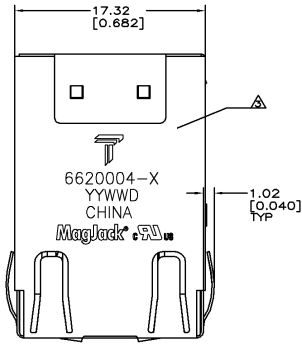
Distributor of Bel Fuse Inc.: Excellent Integrated System Limited  
 Datasheet of 6620004-1 - CONN MAGJACK 3PORT 100 BASE-T

THIS DRAWING AND THE SUBJECT MATTER SHOWN THEREON ARE CONFIDENTIAL AND THE PROPERTY OF BEL/FUSE/IRP CONNECTOR AND SHALL NOT BE REPRODUCED, COPIED, OR USED IN ANY MANNER WITHOUT THE WRITTEN CONSENT OF IRP CONNECTOR.

PRODUCT MAY BE PROTECTED BY ONE OR MORE OF THE FOLLOWING US PATENTS: 5708810, 9493850, 6425701, 6403261, 6504428, 5542017, 7123147, 7429160, 7717740, 7802751, 8217291, 6148020, 7294120

REVISIONS

REV	DATE	DESCRIPTION	BY	CHK	APP
G	09/JAN/2013	EC-1411035, LOGO CHANGE	JC	TY	



- USB MATERIALS:**  
 SHELL: BRASS  
 HOUSING: BLACK, THERMOPLASTIC, GLASS FILLED, UL 94V-0 RATED  
 CONTACT: PHOSPHOR BRONZE WITH SELECTIVE GOLD PLATING, 0.76µm MIN IN CONTACT REGION  
 SPRING CLIP: COPPER ALLOY
- RJ45 MATERIALS:**  
 PLASTIC HOUSING: BLACK, PET THERMOPLASTIC FLAMMABILITY RATING UL 94V-0  
 SHIELD: BRASS, PLATED WITH 0.76µm SEMI-BRIGHT NICKEL, SELECTED TIN, 2.0-3.8µm ON SOLDER TAILS ONLY  
 CONTACTS: PHOSPHOR BRONZE  
 PLATING: 1.27µm MIN NICKEL UNDERPLATE WITH SELECT 1.27µm MIN GOLD AT MATING INTERFACE AND 2.54µm MIN TIN ON CONTACT TAILS.
- LIGHT PIPE: FLAME RETARDANT POLYCARBONATE.**  
**LED: DIFFUSED EPOXY LENS, CARBON STEEL LEAD FRAME WITH TIN/SILVER/NICKEL/ COPPER PLATING.**
- MAGNETICS**  
 -APPLICATION: 10/100 BASE-T  
 -IMPEDANCE: 100 OHMS  
 -TURNS RATIO (CHIP-CABLE): TX = 1:1, RX = 1:1  
 -OPEN CIRCUIT INDUCTANCE (OCL): 350µH MIN @100kHz, 0.1VRMS, SHARD BIAS FROM 0°C TO 70°C, TX AND RX  
 -PERFORMANCE @ 25°C:  
 INSERTION LOSS (IL): 1.0dB MAX FROM 0.5MHz TO 100MHz  
 RETURN LOSS (RL): 18dB MIN FROM 0.5MHz TO 30MHz  
 18-20LOG(F/30)dB MIN FROM 30MHz TO 60MHz  
 12dB MIN FROM 60MHz TO 80MHz  
 CROSSTALK ATTENUATION: 35dB MIN FROM 0.5MHz TO 40MHz  
 33-20LOG(F/50)dB MIN FROM 40MHz TO 100MHz  
 COMMON MODE REJECTION RATIO (CMRR): 30dB MIN FROM 0.5MHz TO 100MHz  
 ISOLATION VOLTAGE: COMPLIES WITH IEEE802.3 2002, PARA 23.5.1.1, ITEM b.
- PRODUCT IDENTIFICATION TO BE MARKED IN APPROXIMATE LOCATION.**
- DATUM LOCATION AND DIMENSION TO BE ESTABLISHED BY CUSTOMER.**
- RJ45 CAVITY CONFORMS TO FCC RULES AND REGULATION PART 68 SUBPART F.**
- MATING INTERFACE COMPIES WITH USB (UNIVERSAL SERIAL BUS) SPECIFICATION REV 2.0 UTILIZING TRIP P/W 292323-1 WITH USB 2.0 CERTIFICATE TEST ID NO. 60000242.**
- LED'S COMPLIANT WITH IEC60825-1 SAFETY OF LASER PRODUCTS. WHEN OPERATED AT CURRENT OF 20 MA.**
- OPERATING TEMPERATURE: -FROM 0 °C TO + 70 °C**
- THESE PARTS ARE RECOMMENDED FOR WAVE SOLDERING PROCESS, PEAK SOLDERING TEMPERATURE IS 260 °C MAX, 10 SECONDS MAX.**
- OBsolete PARTS: OBSOLETE CIS STREAMLINING PER D.RENAUD/D.SINISI**

REV	DATE	DESCRIPTION	BY	CHK	APP
A	09/JAN/2013	EC-1411035, LOGO CHANGE	JC	TY	

REV	DATE	DESCRIPTION	BY	CHK	APP
A	09/JAN/2013	EC-1411035, LOGO CHANGE	JC	TY	

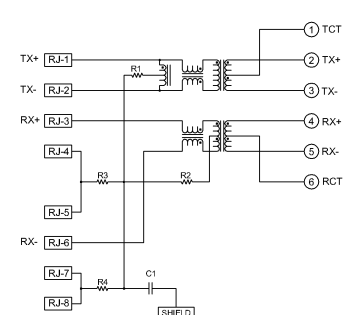
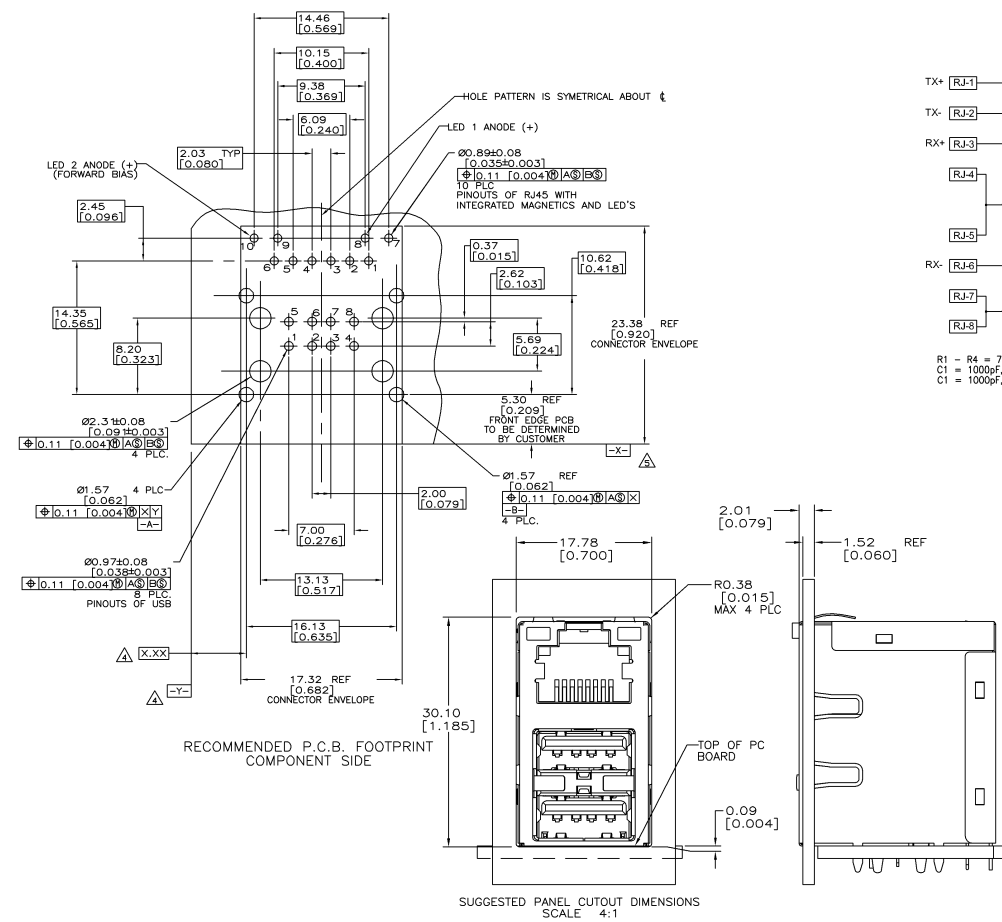
REV	DATE	DESCRIPTION	BY	CHK	APP
A	09/JAN/2013	EC-1411035, LOGO CHANGE	JC	TY	

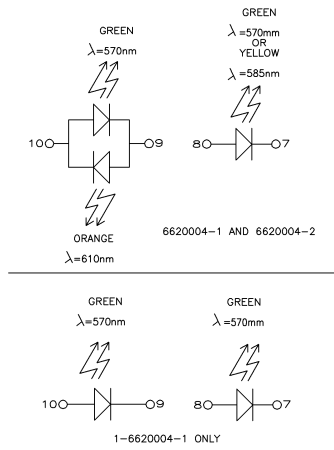
REV	DATE	DESCRIPTION	BY	CHK	APP
A	09/JAN/2013	EC-1411035, LOGO CHANGE	JC	TY	

REV	DATE	DESCRIPTION	BY	CHK	APP
A	09/JAN/2013	EC-1411035, LOGO CHANGE	JC	TY	



R1 - R4 = 75 OHMS, 1/16 W, 5% RESISTORS.  
 C1 = 1000pF, 2KV DECOUPLING CAPACITOR FOR 6620004-1  
 C1 = 1000pF, 3KV DECOUPLING CAPACITOR FOR 6620004-2 AND -11



THIS DRAWING IS A CONTROLLED DOCUMENT		REV	DATE	BY	CHK	APP	DATE	BY	CHK	APP	DATE
INVENTOR	MM	DESIGNED	DATE	BY	CHK	APP	DATE	BY	CHK	APP	DATE
PROJECT NO.	108-2100	PRODUCT NAME	CONN MAGJACK	OVER USB NON-PSE	REV	A	DATE	10/10/10	BY	CHK	APP
CUSTOMER DRAWING		REV	DATE	BY	CHK	APP	DATE	BY	CHK	APP	DATE