

## Excellent Integrated System Limited

Stocking Distributor

Click to view price, real time Inventory, Delivery & Lifecycle Information:

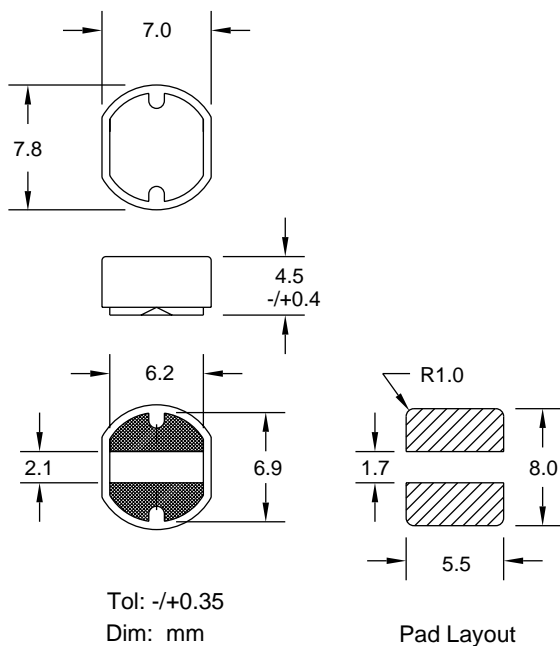
[Bourns Inc.](#)  
[PM74S-100N](#)

For any questions, you can email us directly:  
[sales@integrated-circuit.com](mailto:sales@integrated-circuit.com)

## Shielded, SMT Power Inductors

### Special Features

- Magnetic shielded for low radiation
- Ferrite bobbin core
- Low core loss for high frequency power application
- Compact size
- Large terminal surface for good PCB bonding
- Operating temperature -30 to +100°C
- Current to cause maximum 10% of inductance drop, or 40°C temperature rise
- Tape & reel packaged 1000/reel



PM74S Series					
Part Number	L (uH) +25 / -15%	Test Freq.	SRF (MHz) Typ.	DCR (Ω) Max.	I, DC (A)
PM74S-100N	10	2.52 MHz	26	0.07	1.65
PM74S-120N	12	2.52 MHz	25	0.07	1.57
PM74S-150N	15	2.52 MHz	20	0.08	1.39
PM74S-180N	18	2.52 MHz	19	0.10	1.29
PM74S-220N	22	2.52 MHz	18	0.13	1.12
PM74S-270N	27	2.52 MHz	16	0.16	1.06
PM74S-330N	33	2.52 MHz	15	0.18	0.97
PM74S-390N	39	2.52 MHz	14	0.18	0.91
PM74S-470N	47	2.52 MHz	12	0.27	0.80
PM74S-560N	56	2.52 MHz	12	0.29	0.76
PM74S-680N	68	2.52 MHz	10	0.33	0.68
PM74S-820N	82	2.52 MHz	9	0.43	0.62
+20 / -15%					
PM74S-101M	100	1 KHz	8	0.49	0.55
PM74S-121M	120	1 KHz	7	0.68	0.49
PM74S-151M	150	1 KHz	6	0.94	0.44
PM74S-181M	180	1 KHz	6	1.00	0.40
PM74S-221M	220	1 KHz	5	1.18	0.36
PM74S-271M	270	1 KHz	5	1.30	0.33