

Excellent Integrated System Limited

Stocking Distributor

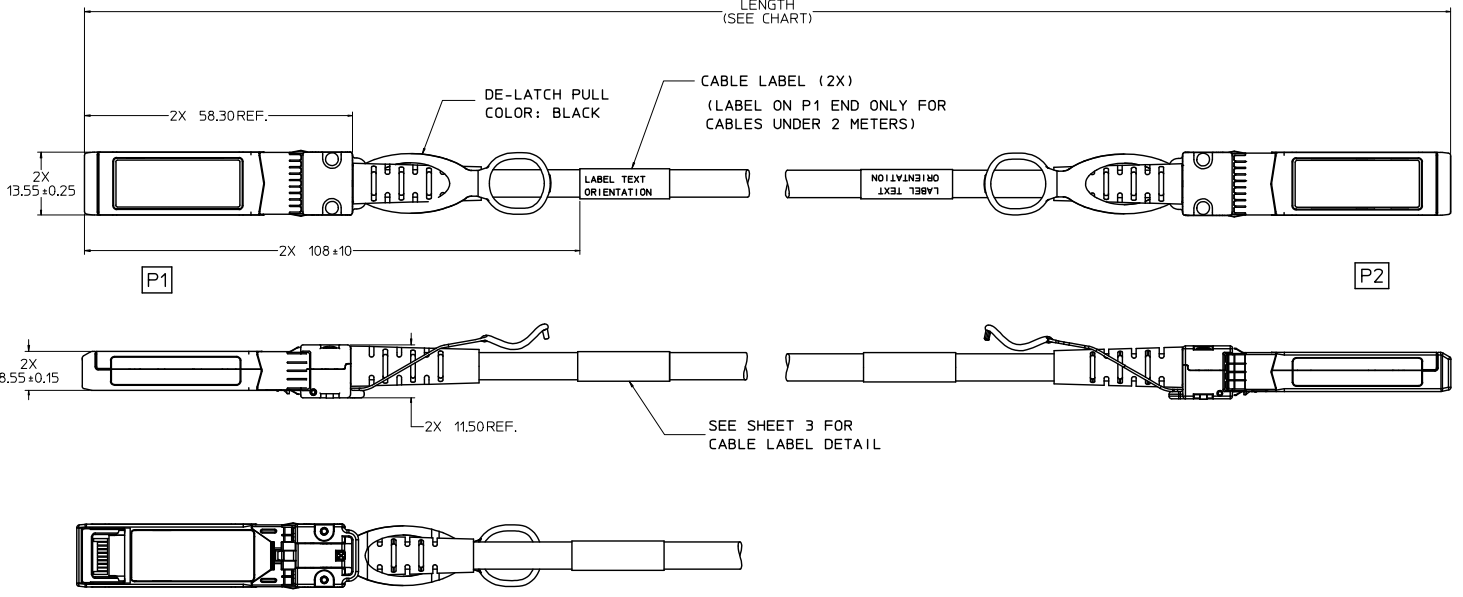
Click to view price, real time Inventory, Delivery & Lifecycle Information:

[Molex Connector Corporation](#)
[0747521201](#)

For any questions, you can email us directly:

sales@integrated-circuit.com

20 19 18 17 16 15 14 13 12 11 10 9 8 7 6 5 4 3 2 1



NOTES:

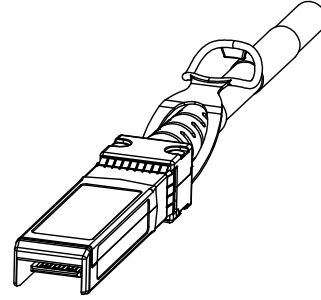
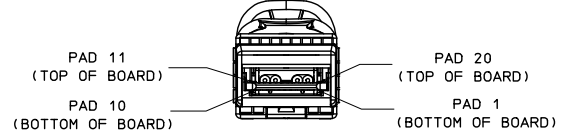
1. MATERIALS
 BACKSHELLS - NICKEL PLATED ZINC
 DE-LATCH - PLASTIC
 PCB - HALOGEN FREE, UL94 V-0
 RIVETS - STAINLESS STEEL
2. IMPEDANCE - 100 OHMS DIFFERENTIAL, PASSIVE
3. PULL TO RELEASE, PLUNGER STYLE LATCH
4. EACH ASSEMBLY HAS A SERIAL ID
5. RoHS COMPLIANT, NO EXEMPTIONS.

| | | | | | | | |
|---|--|--|-------------------------------------|--------------------------------|--|------------------------|---------------------|
| UPDATED P/N TABLE REC NO. (REVISED) 2015/10/28 DRAWN (MALLACED) 2015/10/27 CHKD: APPR: CHIRSCHEV 2015/10/28 REV: | QUALITY SYMBOLS ∇=0 ∇=0 ∇=0 | GENERAL TOLERANCES (UNLESS SPECIFIED) mm INCH 4 PLACES ± --- ± --- 3 PLACES ± --- ± --- 2 PLACES ± 0.13 ± --- 1 PLACE ± 0.25 ± --- 0 PLACE ± ± --- | DIMENSION STYLE MM ONLY | SCALE 2.5:1 | DESIGN UNITS METRIC | THIRD ANGLE PROJECTION | |
| | DRAWN BY B.CHEN06_USY 2014/10/07 | CHECKED BY BHATFIELD 2014/10/07 | APPROVED BY CHIRSCHEV 2015/10/28 | DATE DATE DATE | TITLE ZSFP+ TO ZSFP+ 28G PASSIVE CABLE ASSEMBLY | | |
| | MATERIAL NO. | | | DOCUMENT NO. SD-111145-0001 | | | SHEET NO. 1 OF 3 |
| | DRAFT WHERE APPLICABLE SEE P/N TABLE MUST REMAIN WITHIN DIMENSIONS SIZE D THIS DRAWING CONTAINS INFORMATION THAT IS PROPRIETARY TO MOLEX INCORPORATED AND SHOULD NOT BE USED WITHOUT WRITTEN PERMISSION | | | | | | |

19 18 17 16 15 14 13 12 11 10 9 8 7 6 5 4 3 2 1

| WIRING DIAGRAM | | | | | |
|----------------|------------|--------|--------|------------|--|
| P1 END | | | P2 END | | |
| PAD | SIGNAL | | PAD | SIGNAL | |
| 12 | RD- | <---- | 19 | TD- | |
| 13 | RD+ | <---- | 18 | TD+ | |
| 18 | TD+ | -----> | 13 | RD+ | |
| 19 | TD- | -----> | 12 | RD- | |
| 02 | Tx_Fault | NC NC | 02 | Tx_Fault | |
| 03 | Tx_Disable | NC NC | 03 | Tx_Disable | |
| 04 | SDA | ■ ■ | 04 | SDA | |
| 05 | SCL | ■ ■ | 05 | SCL | |
| 06 | Mod_ABS | NC NC | 06 | Mod_ABS | |
| 07 | RS0 | NC NC | 07 | RS0 | |
| 08 | Rx_LOS | NC NC | 08 | Rx_LOS | |
| 09 | RS1 | NC NC | 09 | RS1 | |
| 15 | VccR | NC NC | 15 | VccR | |
| 16 | VccT | NC NC | 16 | VccT | |

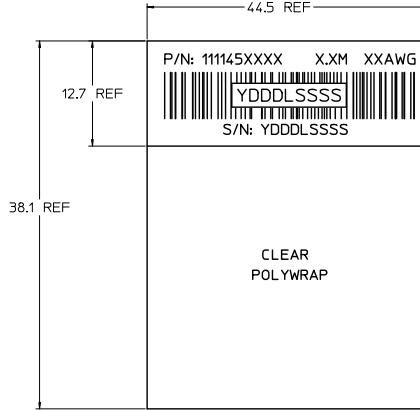
LEGEND:
 ----- ▬ THRU LINES
 NC = NOT CONNECTED
 ■ = CONNECTION TO A DEVICE ON THE PCB



| | | | | | | |
|--|--|---------------------------------------|------------------------|---|---|------------------------|
| UPDATED P/N TABLE EC NO. LFCZ04-1723 DRAWN: WALLACE1 2015/10/27 CHCK: APPROVED: CHIRSCHEV 2015/10/28 REV: | QUALITY SYMBOLS | GENERAL TOLERANCES (UNLESS SPECIFIED) | DIMENSION STYLE | SCALE | DESIGN UNITS | THIRD ANGLE PROJECTION |
| | ▽=0 | mm INCH | MM ONLY | 4:1 | METRIC | ☉ |
| | ▽=0 | 4 PLACES ± --- ± --- | DRAWN BY | DATE | TITLE | |
| | ▽=0 | 3 PLACES ± --- ± --- | BCHEN06_USY 2014/10/07 | | ZSFP+ TO ZSFP+ 28G PASSIVE CABLE ASSEMBLY | |
| | 2 PLACES ± 0.13 ± --- | CHECKED BY | DATE | | | |
| | 1 PLACE ± 0.25 ± --- | BHATFIELD 2014/10/07 | | | | |
| | 0 PLACE ± ± | APPROVED BY | DATE | | | |
| | ANGULAR ± 2 ° | CHIRSCHEV 2015/07/28 | | | | |
| | DRAFT WHERE APPLICABLE MUST REMAIN WITHIN DIMENSIONS | SEE P/N TABLE | MATERIAL NO. | DOCUMENT NO. | | SHEET NO. |
| | | | | SD-111145-0001 | | 2 OF 3 |
| | | | | THIS DRAWING CONTAINS INFORMATION THAT IS PROPRIETARY TO MOLEX INCORPORATED AND SHOULD NOT BE USED WITHOUT WRITTEN PERMISSION | | |

CABLE ID LABEL

| PART NUMBER | LENGTH | TOL. | AWG |
|-------------|--------|--------|-----|
| 1111451051 | 0.5M | ±0.05M | 30 |
| 1111451101 | 1.0M | ±0.05M | 30 |
| 1111451201 | 2.0M | ±0.05M | 30 |
| 1111451251 | 2.5M | ±0.05M | 30 |
| 1111451301 | 3.0M | ±0.05M | 30 |
| 1111453201 | 2.0M | ±0.05M | 26 |
| 1111453301 | 3.0M | ±0.05M | 26 |
| 1111453401 | 4.0M | ±0.05M | 26 |
| 1111453501 | 5.0M | ±0.08M | 26 |

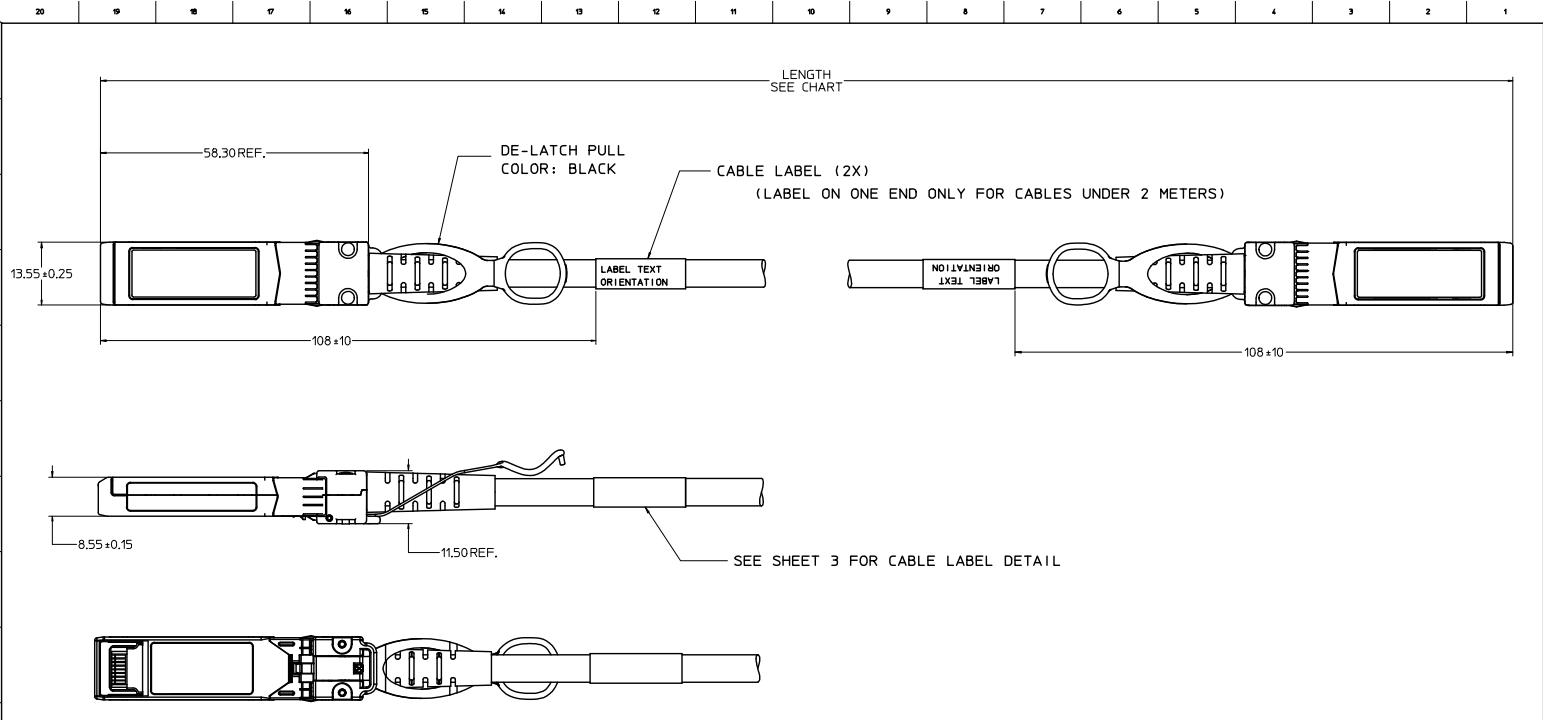


P/N: SEE TABLE
 S/N: Y = YEAR, LAST DIGIT OF YEAR
 DDD = DAY OF THE YEAR
 L = LOCATION - 1 = USA
 2 = MEXICO
 3 = CHINA
 4 = PHILIPPINES
 SSSS = SERIAL NUMBER
 X.XM: CABLE LENGTH, SEE TABLE
 XXAWG: WIRE GAGE, SEE TABLE

(DATE CODE ISO-8601 FORMAT)

NOTES :
 CUSTOM CABLE LENGTH AND GAUGE AVAILABLE UPON REQUEST

| | | | | | | |
|--|--|---------------------------------------|---|---|--------------|------------------------|
| UPDATED P/N TABLE EC NO. 0747521201 DRAWN: MALACEDY 2015/10/07 CHECKED: CHIRSCHEV 2015/10/28 APPROVED: CHIRSCHEV 2015/10/28 DATE: | QUALITY SYMBOLS | GENERAL TOLERANCES (UNLESS SPECIFIED) | DIMENSION STYLE | SCALE | DESIGN UNITS | THIRD ANGLE PROJECTION |
| | ▽=0 | mm INCH | MM ONLY | 1:1 | METRIC | ☉ |
| | ▽=0 | 4 PLACES ± --- ± --- | DRAWN BY DATE | TITLE | | |
| | ▽=0 | 3 PLACES ± --- ± --- | CHENOM6_USY 2014/10/07 | ZSFP+ TO ZSFP+ 28G PASSIVE CABLE ASSEMBLY | | |
| | 2 PLACES ± 0.13 ± --- | CHECKED BY DATE | molex | | | |
| | 1 PLACE ± 0.25 ± --- | APPROVED BY DATE | DOCUMENT NO. SD-111145-0001 SHEET NO. 3 OF 3 | | | |
| | 0 PLACE ± ± | CHIRSCHEV 2015/07/28 | THIS DRAWING CONTAINS INFORMATION THAT IS PROPRIETARY TO MOLEX INCORPORATED AND SHOULD NOT BE USED WITHOUT WRITTEN PERMISSION | | | |
| | ANGULAR ± 2 ° | MATERIAL NO. | SEE P/N TABLE | | | |
| | DRAFT WHERE APPLICABLE MUST REMAIN WITHIN DIMENSIONS | SIZE | D | | | |



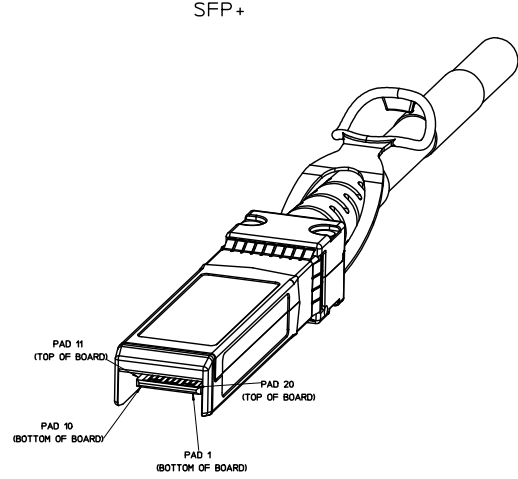
NOTES:

1. MATERIALS
 BACKSHELLS - NICKEL PLATED ZINC
 DE-LATCH - PLASTIC
 PCB - FR-4
 RIVETS - STAINLESS STEEL
2. IMPEDANCE - 100 OHMS DIFFERENTIAL, PASSIVE
3. PULL TO RELEASE, PLUNGER STYLE LATCH
4. EACH ASSEMBLY HAS A SERIAL ID
5. 11.09 Gbps BACKWARDS COMPATIBLE TO 1.0625 Gbps
6. RoHS COMPLIANT, NO EXEMPTIONS.

| SEE REV HISTORY EC NO. 0747521201-0706 DRAWN: GABRIELLA 2015/08/13 CHECKED: NA 2015/08/13 APPROVED: NA 2015/08/13 REV | QUALITY SYMBOLS ∇=0 ∇=0 ∇=0 | GENERAL TOLERANCES (UNLESS SPECIFIED) <table border="1"> <tr> <th></th> <th>mm</th> <th>INCH</th> </tr> <tr> <td>4 PLACES</td> <td>± 0.15</td> <td>± 0.006</td> </tr> <tr> <td>3 PLACES</td> <td>± 0.25</td> <td>± 0.010</td> </tr> <tr> <td>2 PLACES</td> <td>± 0.38</td> <td>± 0.015</td> </tr> <tr> <td>1 PLACE</td> <td>± 0.51</td> <td>± 0.020</td> </tr> <tr> <td>0 PLACE</td> <td>± 0.64</td> <td>± 0.025</td> </tr> </table> | | mm | INCH | 4 PLACES | ± 0.15 | ± 0.006 | 3 PLACES | ± 0.25 | ± 0.010 | 2 PLACES | ± 0.38 | ± 0.015 | 1 PLACE | ± 0.51 | ± 0.020 | 0 PLACE | ± 0.64 | ± 0.025 | DIMENSION STYLE MM ONLY | SCALE 2.5:1 | DESIGN UNITS METRIC | THIRD ANGLE PROJECTION |
|---|---|--|-------------------------------------|----------------------------|---|----------|---------------------------|---------|----------|--------|---------|----------|--------|---------|---------|--------|---------|---------|--------|---------|-----------------------------------|-----------------------|-------------------------------|-------------------------------|
| | | mm | INCH | | | | | | | | | | | | | | | | | | | | | |
| | 4 PLACES | ± 0.15 | ± 0.006 | | | | | | | | | | | | | | | | | | | | | |
| | 3 PLACES | ± 0.25 | ± 0.010 | | | | | | | | | | | | | | | | | | | | | |
| 2 PLACES | ± 0.38 | ± 0.015 | | | | | | | | | | | | | | | | | | | | | | |
| 1 PLACE | ± 0.51 | ± 0.020 | | | | | | | | | | | | | | | | | | | | | | |
| 0 PLACE | ± 0.64 | ± 0.025 | | | | | | | | | | | | | | | | | | | | | | |
| DRAWN BY JERWIN | DATE 2007/01/30 | TITLE SFP+ 10G PASSIVE CABLE ASSEMBLY | | | | | | | | | | | | | | | | | | | | | | |
| CHECKED BY KLOYD | DATE 2007/01/30 | APPROVED BY MAHMOOD | | | | | DATE 2007/01/30 | | | | | | | | | | | | | | | | | |
| ANGULAR ± 2 ° | | SEE SHEET 3 | DOCUMENT NO. SD-74752-001 | SHEET NO. 1 OF 4 | THIS DRAWING CONTAINS INFORMATION THAT IS PROPRIETARY TO MOLEX INCORPORATED AND SHOULD NOT BE USED WITHOUT WRITTEN PERMISSION | | | | | | | | | | | | | | | | | | | |

| WIRING DIAGRAM | | | |
|----------------|--------|--------|--------|
| P1 END | | P2 END | |
| PAD | SIGNAL | PAD | SIGNAL |
| 12 | RD- | 19 | TD- |
| 13 | RD+ | 18 | TD+ |
| 18 | TD+ | 13 | RD+ |
| 19 | TD- | 12 | RD- |

| LOW SPEED SIGNALS | |
|-------------------|------------|
| SFP+ | |
| PAD | SIGNAL |
| 02 | Tx_Fault |
| 03 | Tx_Disable |
| 04 | SDA |
| 05 | SCL |
| 06 | Mod_ABS |
| 07 | RS0 |
| 08 | Rx_LOS |
| 09 | RS1 |
| 15 | VccR |
| 16 | VccT |



CUSTOM LENGTHS AVAILABLE.
LONGER LENGTH APPLICATIONS REQUIRE
HOST SYSTEM PRE-EMPHASIS AND
EQUALIZATION.
SEE DATASHEET FOR MORE INFORMATION.

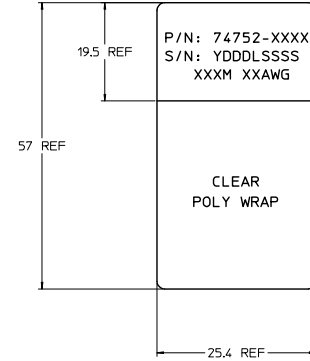
| SEE REV HISTORY EC NO. 0747521201-0706 DRAWN: GABRIELLA 2005/08/13 CHECKED: NINA 2005/08/13 APPROVED: NINA 2005/08/13 REV. | QUALITY SYMBOLS ∇=0 ∇=0 ∇=0 | GENERAL TOLERANCES (UNLESS SPECIFIED) <table border="1"> <tr> <th></th> <th>mm</th> <th>INCH</th> </tr> <tr> <td>4 PLACES</td> <td>± 0.15</td> <td>± 0.006</td> </tr> <tr> <td>3 PLACES</td> <td>± 0.25</td> <td>± 0.010</td> </tr> <tr> <td>2 PLACES</td> <td>± 0.38</td> <td>± 0.015</td> </tr> <tr> <td>1 PLACE</td> <td>± 0.51</td> <td>± 0.020</td> </tr> <tr> <td>0 PLACE</td> <td>± 0.64</td> <td>± 0.025</td> </tr> </table> | | mm | INCH | 4 PLACES | ± 0.15 | ± 0.006 | 3 PLACES | ± 0.25 | ± 0.010 | 2 PLACES | ± 0.38 | ± 0.015 | 1 PLACE | ± 0.51 | ± 0.020 | 0 PLACE | ± 0.64 | ± 0.025 | DIMENSION STYLE MM ONLY DRAWN BY: JERWIN CHECKED BY: KLOYD APPROVED BY: MAHMOOD DATE: 2007/01/30 DATE: 2007/01/30 DATE: 2007/01/30 | SCALE 4:1 | DESIGN UNITS METRIC | THIRD ANGLE PROJECTION |
|--|--------------------------------------|---|-------------|--------------|--------------|-----------|--------|---------|----------|--------|---------|----------|--------|---------|---------|--------|---------|---------|--------|---------|---|--------------|------------------------|------------------------|
| | | mm | INCH | | | | | | | | | | | | | | | | | | | | | |
| | 4 PLACES | ± 0.15 | ± 0.006 | | | | | | | | | | | | | | | | | | | | | |
| | 3 PLACES | ± 0.25 | ± 0.010 | | | | | | | | | | | | | | | | | | | | | |
| 2 PLACES | ± 0.38 | ± 0.015 | | | | | | | | | | | | | | | | | | | | | | |
| 1 PLACE | ± 0.51 | ± 0.020 | | | | | | | | | | | | | | | | | | | | | | |
| 0 PLACE | ± 0.64 | ± 0.025 | | | | | | | | | | | | | | | | | | | | | | |
| DRAFT WHERE APPLICABLE MUST REMAIN WITHIN DIMENSIONS | | MATERIAL NO. | SEE SHEET 3 | DOCUMENT NO. | SD-74752-001 | SHEET NO. | | | | | | | | | | | | | | | | | | |
| | | INCORPORATED AND SHOULD NOT BE USED WITHOUT WRITTEN PERMISSION | | | | 2 OF 4 | | | | | | | | | | | | | | | | | | |
| THIS DRAWING CONTAINS INFORMATION THAT IS PROPRIETARY TO MOLEX | | | | | | | | | | | | | | | | | | | | | | | | |

PART NUMBER CHART

CABLE LABEL DETAIL

| PART NUMBER | LENGTH | TOL. | AWG |
|-------------|--------|--------|-----|
| 747520010 | 0.3M | ±0.03M | 32 |
| 747520011 | 0.5M | ±0.03M | 32 |
| 747520012 | 1.0M | ±0.05M | 32 |
| 747520013 | 2.0M | ±0.05M | 32 |
| 747520014 | 3.0M | ±0.05M | 32 |
| 747520015 | 4.0M | ±0.05M | 32 |
| 747520016 | 5.0M | ±0.08M | 32 |
| 747521031 | 0.3M | ±0.03M | 30 |
| 747521051 | 0.5M | ±0.03M | 30 |
| 747521101 | 1.0M | ±0.05M | 30 |
| 747521151 | 1.5M | ±0.05M | 30 |
| 747521201 | 2.0M | ±0.05M | 30 |
| 747521251 | 2.5M | ±0.05M | 30 |
| 747521301 | 3.0M | ±0.05M | 30 |
| 747521401 | 4.0M | ±0.05M | 30 |
| 747521501 | 5.0M | ±0.08M | 30 |
| 747521601 | 6.0M | ±0.08M | 30 |
| 747521701 | 7.0M | ±0.08M | 30 |
| 747521801 | 8.0M | ±0.08M | 30 |
| 747521901 | 9.0M | ±0.08M | 30 |
| 747529001 | 10.0M | ±0.08M | 30 |
| 747522031 | 0.3M | ±0.03M | 28 |
| 747522051 | 0.5M | ±0.03M | 28 |
| 747522101 | 1.0M | ±0.05M | 28 |
| 747522151 | 1.5M | ±0.05M | 28 |
| 747522201 | 2.0M | ±0.05M | 28 |
| 747522301 | 3.0M | ±0.05M | 28 |
| 747522401 | 4.0M | ±0.05M | 28 |
| 747522501 | 5.0M | ±0.08M | 28 |
| 747522701 | 7.0M | ±0.08M | 28 |
| 747522801 | 8.0M | ±0.08M | 28 |
| 747522901 | 9.0M | ±0.08M | 28 |
| 747529002 | 10.0M | ±0.08M | 28 |
| 747529010 | 15.0M | ±0.08M | 28 |

| PART NUMBER | LENGTH | TOL. | AWG |
|-------------|--------|--------|-----|
| 747523051 | 0.5M | ±0.03M | 26 |
| 747523061 | 0.6M | ±0.03M | 26 |
| 747523101 | 1.0M | ±0.05M | 26 |
| 747523201 | 2.0M | ±0.05M | 26 |
| 747523301 | 3.0M | ±0.05M | 26 |
| 747523501 | 5.0M | ±0.08M | 26 |
| 747523701 | 7.0M | ±0.08M | 26 |
| 747523901 | 9.0M | ±0.08M | 26 |
| 747529003 | 10.0M | ±0.08M | 26 |
| 747529225 | 1.6M | ±0.05M | 26 |
| 747529226 | 1.75M | ±0.05M | 26 |
| 747529227 | 2.25M | ±0.05M | 26 |
| 747524051 | 0.5M | ±0.03M | 24 |
| 747524101 | 1.0M | ±0.05M | 24 |
| 747524201 | 2.0M | ±0.05M | 24 |
| 747524301 | 3.0M | ±0.05M | 24 |
| 747524401 | 4.0M | ±0.05M | 24 |
| 747524501 | 5.0M | ±0.08M | 24 |
| 747524541 | 5.4M | ±0.08M | 24 |
| 747524571 | 5.7M | ±0.08M | 24 |
| 747524601 | 6.0M | ±0.08M | 24 |
| 747524701 | 7.0M | ±0.08M | 24 |
| 747524801 | 8.0M | ±0.08M | 24 |
| 747524901 | 9.0M | ±0.08M | 24 |
| 747529004 | 10.0M | ±0.08M | 24 |
| 747529013 | 11.0M | ±0.08M | 24 |
| 747529008 | 12.0M | ±0.08M | 24 |
| 747529015 | 13.0M | ±0.08M | 24 |
| 747529016 | 14.0M | ±0.08M | 24 |
| 747529007 | 15.0M | ±0.08M | 24 |



YDDDLSSSS

Y---YEAR, THE LAST DIGIT OF THE YEAR

DDD--DAY OF THE YEAR

L---LOCATION (1=US, 2=MEXICO, 3=CHINA, 4=PHILIPPINES)

SSSS---SERIAL NUMBER (UNIQUE AT P/N LEVEL ONLY)

XXXX---LENGTH AS SHOWN IN P/N CHART

XXAWG---AWG SIZE

| | | | | | | | |
|--|--|--|--|---------------------------|---|------------------------|-------|
| SEE REV HISTORY EC NO. 074752-0706 DRAWN: GABRIELLA 2015/08/13 CHECKED: NINA 2015/08/13 APPROVED: NINA 2015/08/13 DATE: 2015/08/13 | QUALITY SYMBOLS ∇=0 ∇=0 ∇=0 | GENERAL TOLERANCES (UNLESS SPECIFIED) mm INCH 4 PLACES ±--- ±--- 3 PLACES ±--- ±--- 2 PLACES ±0.13 ±--- 1 PLACE ±0.25 ±--- 0 PLACE ± ±--- ANGULAR ± 2 ° | DIMENSION STYLE MM ONLY | SCALE 1:1 | DESIGN UNITS METRIC | THIRD ANGLE PROJECTION | |
| | DRAWN BY JERWIN | DATE 2007/01/30 | TITLE SFP+ 10G PASSIVE CABLE ASSEMBLY | MATERIAL NO. SEE CHART | DOCUMENT NO. SD-74752-001 | SHEET NO. 3 OF 4 | MOLEX |
| | CHECKED BY KLOYD | DATE 2007/01/30 | APPROVED BY RMAHMOOD | DATE 2007/01/30 | THIS DRAWING CONTAINS INFORMATION THAT IS PROPRIETARY TO MOLEX INCORPORATED AND SHOULD NOT BE USED WITHOUT WRITTEN PERMISSION | | |
| | DRAFT WHERE APPLICABLE MUST REMAIN WITHIN DIMENSIONS | SIZE D | | | | | |

