

## Excellent Integrated System Limited

Stocking Distributor

Click to view price, real time Inventory, Delivery & Lifecycle Information:

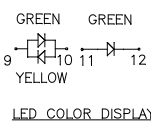
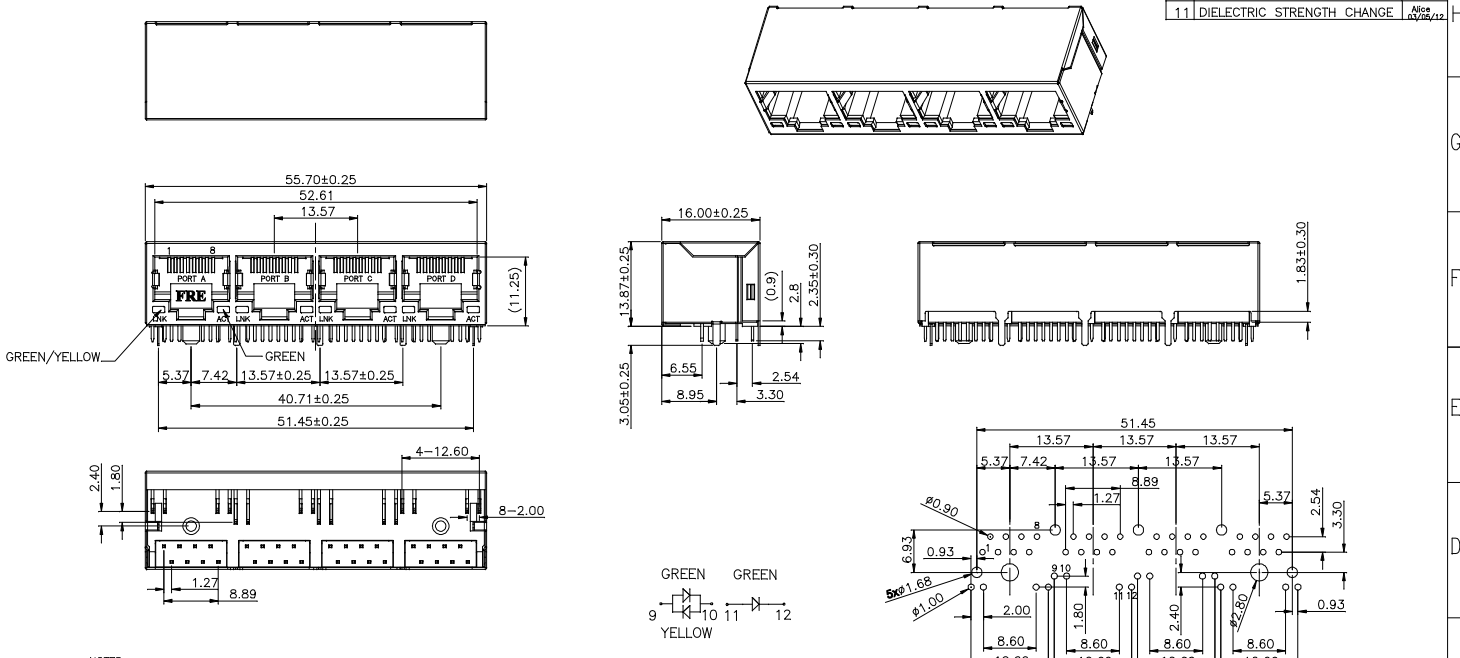
[Pulse Electronics Corporation](#)

[E5J88-032-01-L](#)

For any questions, you can email us directly:

[sales@integrated-circuit.com](mailto:sales@integrated-circuit.com)

REVISION RECORD		
REV	DESCRIPTION	DRFT
10	NEW RELEASE	Ashelly 11/23/09
11	DIELECTRIC STRENGTH CHANGE	Ashelly 02/28/12



PC Board Layout Component Side Shown(1.6mm)

- NOTES:**
- ELECTRICAL:**
- VOLTAGE RATING : 125 VAC RMS .
  - CURRENT RATING : 1.5 AMP
  - CONTACT RESISTANCE : 45 MILLIOHMS MAX.
  - INSULATION RESISTANCE : 1000 MEGOHMS MIN @ 500 VDC.
  - DIELECTRIC STRENGTH : 1500 VAC RMS 60HZ, 1MIN. BETWEEN TERMINALS TO GROUND

- MECHANICAL:**
- HOUSING MATERIAL : NYLON+30 GF. UL94V-0. COLOR-BLACK.
  - INSERT MATERIAL : NYLON+30 GF. UL94V-0. COLOR-BLACK.
  - CONTACT MATERIAL : PHOSPHOR BRONZE t=0.35 mm.
  - SHIELD MATERIAL : COPPER ALLOY
  - OPERATING LIFE: 750 CYCLES MIN. PLATED NI

- ENVIRONMENTAL:**
- STORAGE: -40° C TO +85° C.
  - OPERATION: -40° C TO +85° C.
  - WAVE SOLDERING TEMPERATURE: 255~265° C (5~10 SECONDS)
  - MATING/UNMATING FORCE : 2.27 KG (ABOUT 5 LBS) CAN BE MET FOR MATING.
  - RETENTION STRENGTH : 11 LBSFOR FOUR DIRECTION(RIGHT, LEFT, UP AND DOWN), BETWEEN PLUG AND JACK.
- MATES WITH MODULAR PLUG CONFORMING TO  
FCC PART 68, SUBPART F.  
CUL FILE NO. E163191

PART NUMBER	REV.	PLATING	GOLD
E5J88-032-01-L	A	15u"	

DETACHED LISTS	MM (NCH)	DFTO Ashelly	DATE 10/22/08		<b>RoHS Compliant</b>
	TOLERANCES EXCEPT AS NOTED	CHWD SIX	DATE 03/05/12		
	MM	APPVLLUSHENG	DATE 03/05/12	TITLE latch down Connector, 1x4 led jack	
	.0 ± 0.20 ± .00 ± 0.15 ± .000 ± 0.075 ± ANGLES ± 0.5° THIRD ANGLE PROJECTION	MATERIAL :	QTY :	FINISH :	DRAWING NO. E5J88-032-XX-L /PART NO. E5J88-032-XX-L
SCALE : 20:13				DO NOT SCALE DRAWING	SHEET 1 OF 1

8 | 7 | 6 | 5 | 4 | 3 | 2 | 1