

Excellent Integrated System Limited

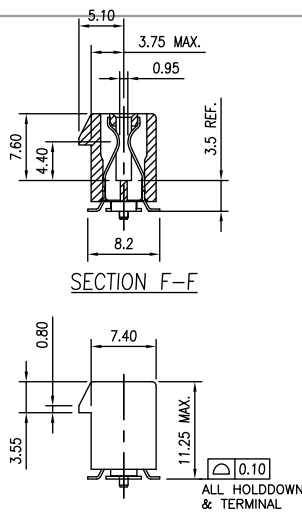
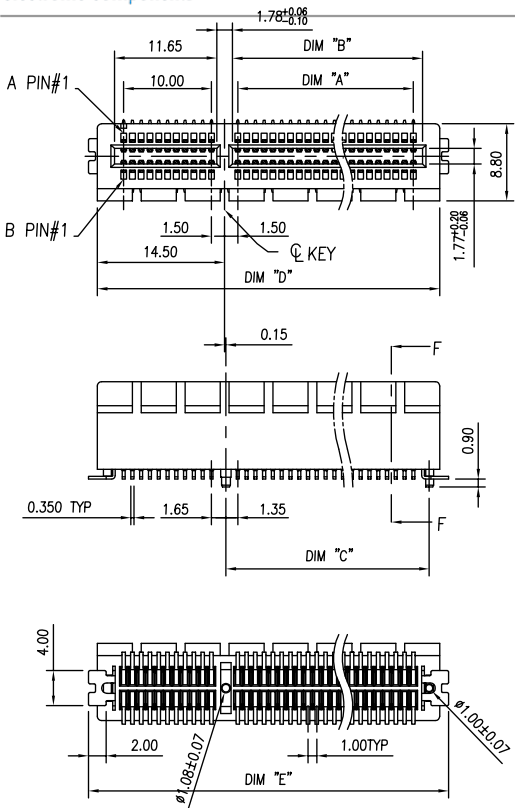
Stocking Distributor

Click to view price, real time Inventory, Delivery & Lifecycle Information:

[Pulse Electronics Corporation](#)
[E9002-002-01](#)

For any questions, you can email us directly:
sales@integrated-circuit.com

REVISION RECORD		
REV	DESCRIPTION	DRFT



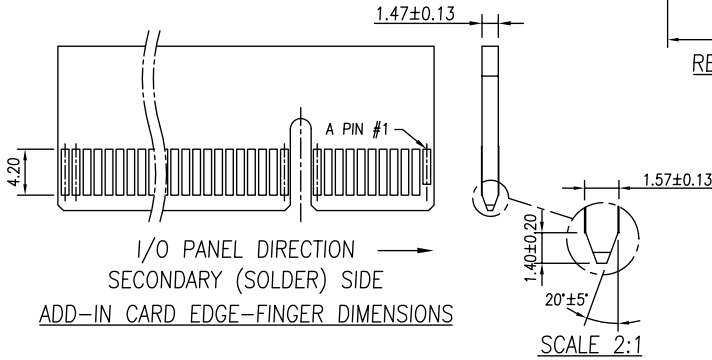
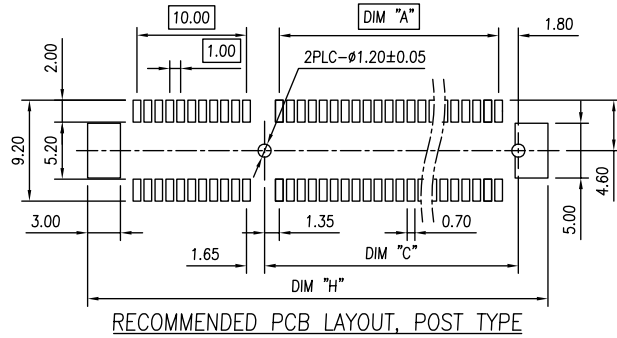
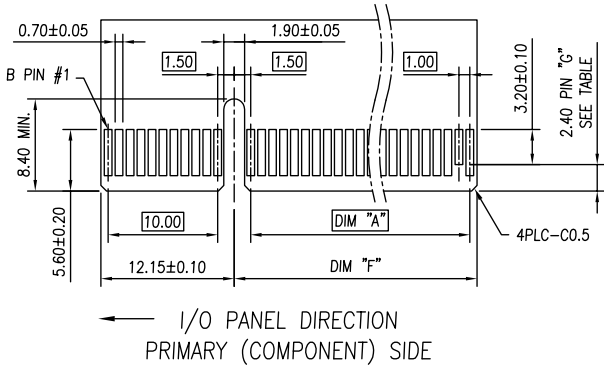
DIMENSIONS					
POSITION	A ±0.20	B $\begin{matrix} +0.20 \\ -0.08 \end{matrix}$	C ±0.25	D ±0.25	E ±0.25
36	6	7.65	9.15	25.00	27.00
64	20	21.65	23.15	39.00	41.00
98	37	38.65	40.15	56.00	58.00
164	70	71.65	73.15	89.00	91.00

NOTES:

1. MATERIAL:
 - 1.1 HOUSING: THERMOPLASTIC, HIGH TEMP, UL94V-0, COLOR: BLACK.
 - 1.2 CONTACTS: COPPER ALLOY.
 - 1.3 HOLDDOWN: COPPER ALLOY.
2. FINISH:
 - 2.1 CONTACT:
 - SELECTIVE GOLD PLATING ON CONTACT AREA.
 - 100µ" MIN. MATTE TIN PLATING ON SOLDER TAILS,
 - 50µ" MIN. NICKEL UNDERPLATING OVERALL.
 - 2.2 HOLDDOWN:
 - 100µ" MIN. MATTE TIN PLATING WITH 50µ" MIN. NICKEL UNDERPLATE OVERALL.

DETACHED LISTS	MM (RIGHT)	DFT0 Roy	DATE 11/14/2012	Pulse Electronics	RoHS Compliant	
	TOLERANCES EXCEPT AS NOTED	CHKD	DATE			
	MM	APPL	DATE	TITLE PCI EXPRESS SMT TYPE WITH POST		
	± 0.40	MATERIAL :				
.0 ± 0.30	ANGLES ± 0.5°	QTY :	DRAWING NO. E9002-XXX-XX	SIZE	REV	
.00 ± 0.20	THIRD ANGLE PROJECTION	FINISH :	/PART NO. E9002-XXX-XX	A3	01	
.000 ± 0.10		SCALE : 1:1	DO NOT SCALE DRAWING	SHEET	1 OF 3	

REVISION RECORD		
REV	DESCRIPTION	DRFT




DIMENSIONS					
POSITION	A ±0.10	F ±0.10	C ±0.10	G	H ±0.10
36	6	8.15	9.15	B PIN#17	28.00
64	20	22.15	23.15	B PIN#31	42.00
98	37	39.15	40.15	B PIN#48	59.00
164	70	72.15	73.15	B PIN#81	92.00

DETACHED LISTS	MM (INCH)	SFTO Roy	DATE 11/14/2012		RoHS Compliant
	TOLERANCES EXCEPT AS NOTED	CHKD	DATE		
	MM ± 0.40	APPVL	DATE	TITLE PCI EXPRESS SMT TYPE WITH POST	
	0 ± 0.30 .00 ± 0.20 .000 ± 0.10	MATERIAL :	QTY :	DRAWING NO. E9002-XXX-XX	SIZE A3
ANGLES ± 0.5°	FINISH :	SCALE : 1:1	/PART NO. E9002-XXX-XX		
THIRD ANGLE PROJECTION			DO NOT SCALE DRAWING		SHEET 2 OF 3

8 | 7 | 6 | 5 | 4 | 3 | 2 | 1

REVISION RECORD		
REV	DESCRIPTION	DRFT

PRAT NUMBER	DESCRIPTION	PLATING Au	No.of Pins	Packing
E9002-001-01	PCI Express Connector, Vertical, SMT,	1u"	36pin	Tray with cap
E9002-001-02		15u"	36pin	
E9002-002-01		1u"	64pin	
E9002-002-02		15u"	64pin	
E9002-003-01		1u"	98pin	
E9002-003-02		15u"	98pin	
E9002-004-01		1u"	164pin	
E9002-004-02		15u"	164pin	

DEFINED LIST MM (INCH) TOLERANCES EXCEPT AS NOTED .0 ± 0.40 .00 ± 0.20 .000 ± 0.10 ANGLES ± 0.5° THIRD ANGLE PROJECTION	DFTD Roy	DATE 11/14/2012		RoHS Compliant		
	CHKD	DATE		TITLE PCI EXPRESS SMT TYPE WITH POST		
	APPL	DATE	DRAWING NO. E9002-XXX-XX			
	MATERIAL :	QTY :	/PART NO. E9002-XXX-XX			
FINISH :		SCALE : 1:1		DO NOT SCALE DRAWING	SHEET 3 OF 3	

8

7

6

5

4

3

2

1

H
G
F
E
D
C
B
A