

Excellent Integrated System Limited

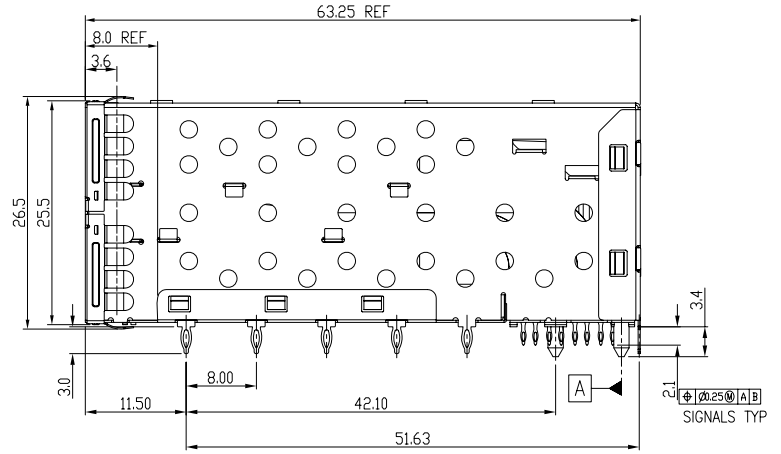
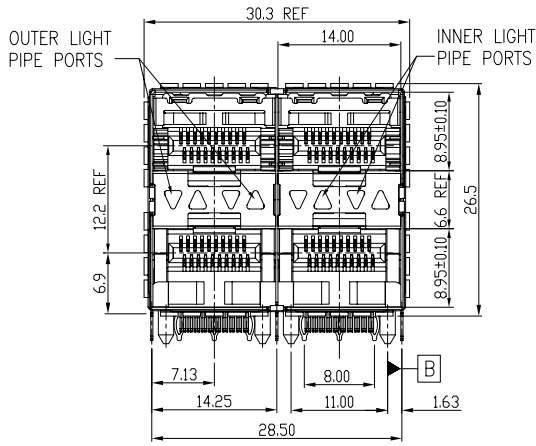
Stocking Distributor

Click to view price, real time Inventory, Delivery & Lifecycle Information:

[Pulse Electronics Corporation](#)
[SFPP-3130-L](#)

For any questions, you can email us directly:

sales@integrated-circuit.com

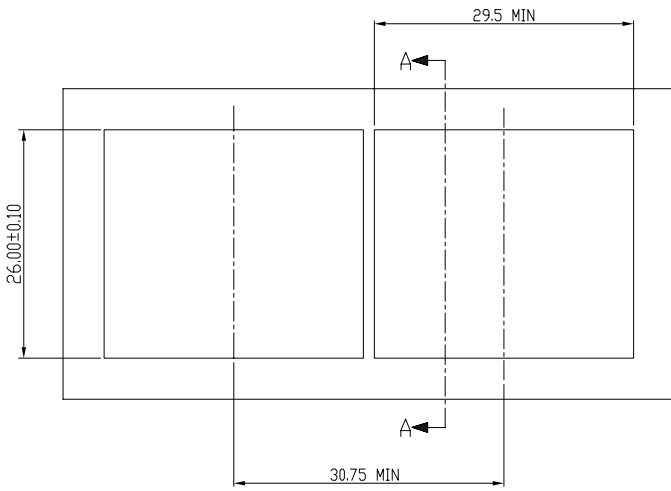


Qty Per:	TRAY	CARTON		
	12	72		
PART NUMBER	SFPP-3130-L			
STATEMENT	INNER/OUTER LIGHT PIPES			
No.	DESCRIPTION	Q'ty	MATERIAL	PLATING
01	SFP_CAGE (Non-Logo)	1	ECOTRIO	
02	CONNECTOR	2	HIGH TEMP/COPPER ALLOY	GOLD
03	LIGHT PIPES	2	POLYCARBONITE	
04	EMI TAB	2	ECOTRIO	

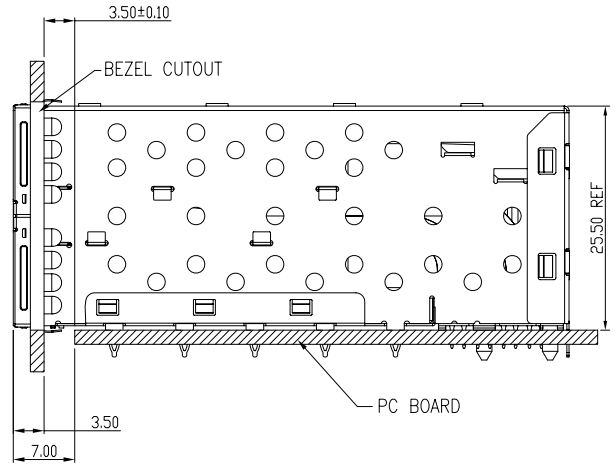
MM (INCHES) TOLERANCES EXCEPT AS NOTED .0 ± 0.25 .00 ± 0.2 .000 ± 0.10 ANGLES ± 0.5 THIRD ANGLE PROJECTION	RoHS Compliant	
	TITLE SFP PLUS 2 BY 2 CAGE+CONNECTOR_P	
DFTD Jack DATE 11/18/08	DRAWING NO. CSFPP-3130-L /PART NO. SFPP-3130-L	SIZE A3
SCALE: 2:1	DO NOT SCALE DRAWING	SHEET 1 OF 4

8 | 7 | 6 | 5 | 4 | 3 | 2 | 1

H
G
F
E
D
C
B
A



BEZEL CUT-OUT CENTER SPACING DETAIL
BEZEL THICKNESS:0.8-2.6



DE TOLERANCES EXCEPT AS NOTED MM ± .025 .00 ± 0.02 .000 ± 0.010 ANGLES ± 0.5 THIRD ANGLE PROJECTION	RoHS Compliant		
	TITLE SFP 2 BY 2 CAGE+CONNECTOR_P		
DFTD Jack DATE 11/18/08	DRAWING NO. CSFPP-3130-L /PART NO. SFPP-3130-L	SIZE A3	REV 0
SCALE : 2:1	DO NOT SCALE DRAWING	SHEET 2	OF 4

8

7

6

5

4

3

2

1

H

G

F

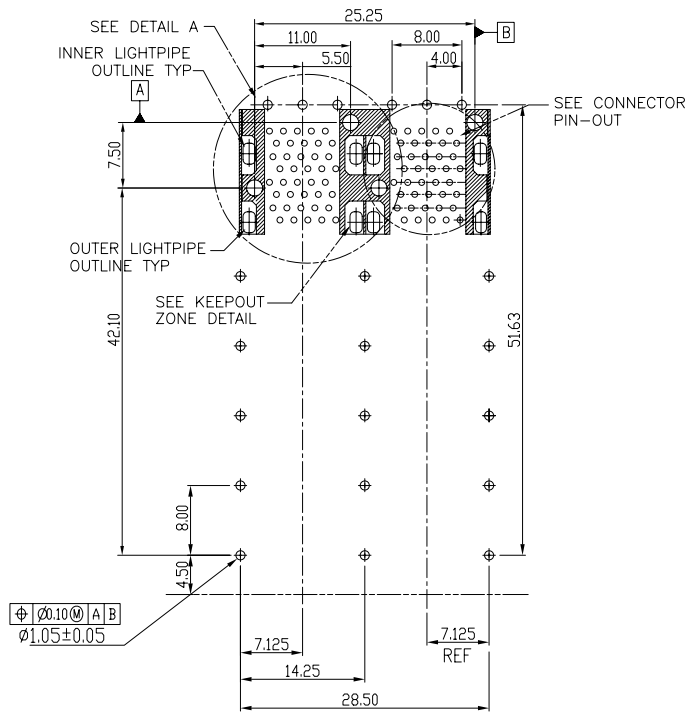
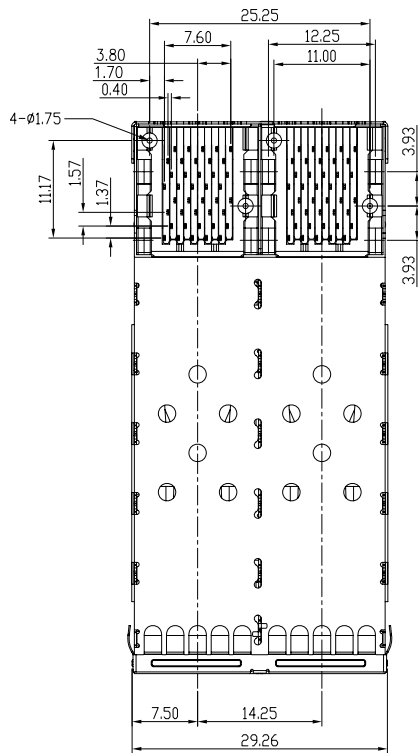
E

D

C

B

A

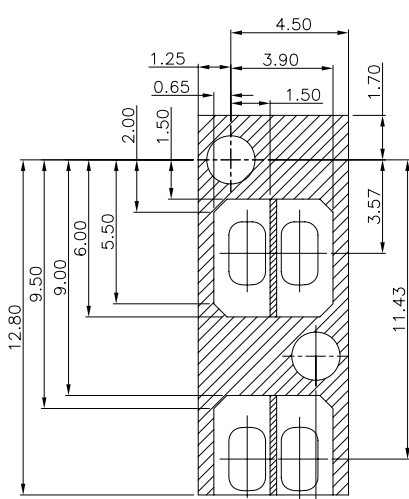


Ø 0.10 @ A B
Ø 1.05 ± 0.05

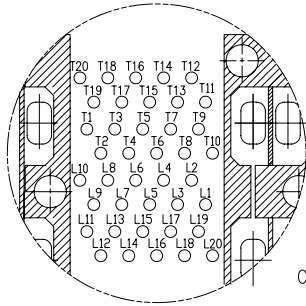
MM (INCH) TOLERANCES EXCEPT AS NOTED		RoHS Compliant			
TITLE SFP 2 BY 2 CAGE+CONNECTOR_P		W/LIGHT PIPES&EMI TAB			
DATE 11/18/08 SCALE : 2:1		DRAWING NO. CSFPP-3130-L /PART NO. SFPP-3130-L		SIZE A3 REV 0	
THIRD ANGLE PROJECTION		DO NOT SCALE DRAWING		SHEET 3 OF 4	

8 | 7 | 6 | 5 | 4 | 3 | 2 | 1

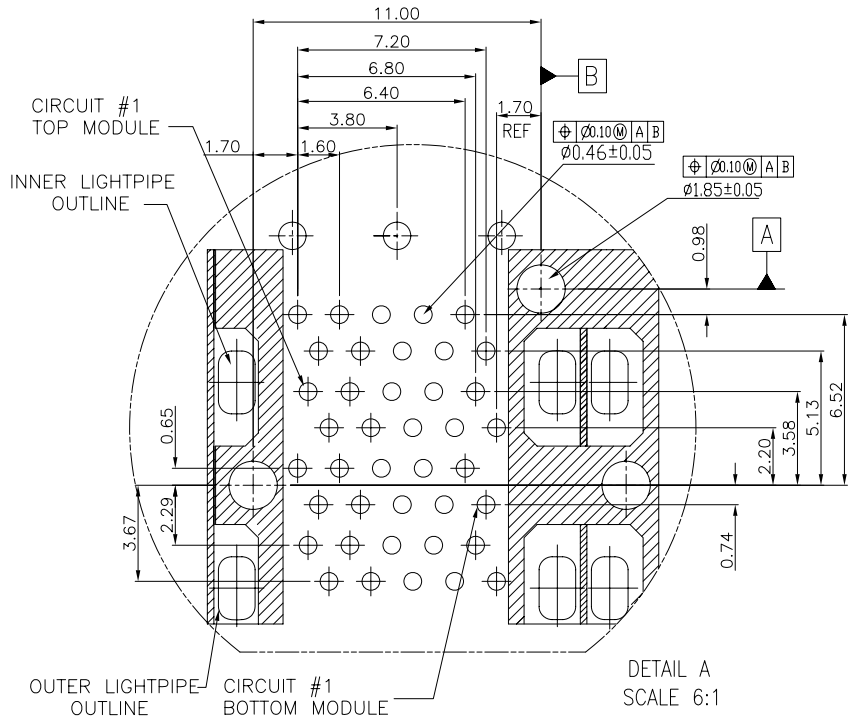
H
G
F
E
D
C
B
A



KEEP-OUT ZONE DETAIL
SCALE 6:1



CONNECTOR PIN-OUT
COMPONENT SIDE OF BOARD



DETAIL A
SCALE 6:1

DIM (INCH) TOLERANCES EXCEPT AS NOTED .10 ± 0.25 .00 ± 0.02 .000 ± 0.10 ANGLES ± 0.5 THIRD ANGLE PROJECTION		RoHS Compliant	
TITLE SFP 2 BY 2 CAGE+CONNECTOR_P		W/LIGHT PIPES&EMI TAB	
BFTD Jack DATE 11/18/08	DRAWING NO. CSFPP-3130-L /PART NO. SFPP-3130-L	SIZE A3	REV 0
SCALE: 2:1	DO NOT SCALE DRAWING	SHEET 4	OF 4

8 | 7 | 6 | 5 | 4 | 3 | 2 | 1