



Excellent Integrated System Limited

Stocking Distributor

Click to view price, real time Inventory, Delivery & Lifecycle Information:

[Visual Communications Company, LLC](#)
[7511B12-C](#)

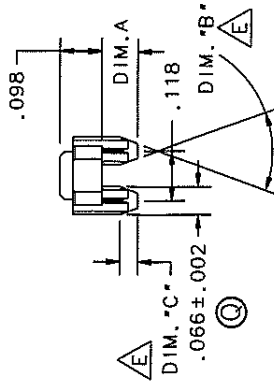
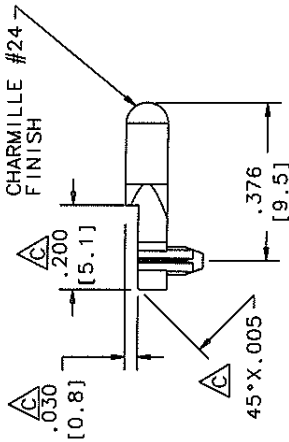
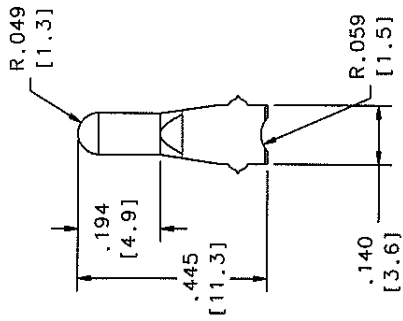
For any questions, you can email us directly:

sales@integrated-circuit.com

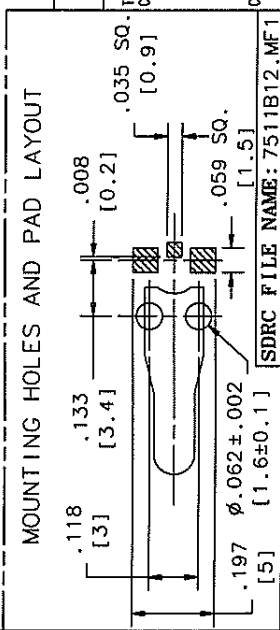
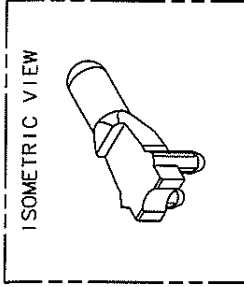
REVISIONS			
REV	ECR NO	DESCRIPTION	DATE
A	20960	NEW RELEASE	9/24/01
B	21161	40° DIM. WAS 60° (JL)	11/20/01
C	21317	TOP SURFACE WAS FLAT	1/23/02
D	22465	ADDED 7511B12-C (JL)	4/17/03
E	22702	ADDED TAB DIM. "B", "C"	7/22/03

NOTES:

- 1-PART DESIGNED TO BE USED WITH CMD12-21 SERIES RIGHT ANGLE LED.
- 2-MATERIAL: CLEAR POLYCARBONATE UL94V-0.
- 3-PARTS TO BE FREE OF BUBBLES AND BLACK SPECKS THAT MAY INHIBIT LIGHT OUTPUT WHEN VIEWED AT THE NORMAL VIEWING ANGLE.
- 4-ALL SURFACES MUST HAVE A FINISH OF 15u INCH UNLESS OTHERWISE SPECIFIED.



MODEL NO.	DIM. "A"	DIM. "B"	DIM. "C"
7511B12-B	.085±.005	40°	.027
7511B12-C	.060±.003	45°	.010



DIM ARE IN INCHES		FOR INSPECTION USE ONLY	
THIS DIM IS THE PROPERTY OF CHICAGO MINIATURE LAMP, INC. NO PART OF THIS DIMENSION SHALL BE REPRODUCED OR ITS CONTENTS COPIED TO OUTSIDE PARTIES WITHOUT THE WRITTEN CONSENT OF CHICAGO MINIATURE LAMP, INC.		SPC DOCUMENTATION REQ. (X R CHARTS)	
DATE	PART NO	DATE	MOLD NO
9/01		9/01	
DESIGNED BY	DATE	DATE	MATERIAL
		12/02	XX ± .015
UNLESS OTHERWISE SPECIFIED	ANGLE	±.1 DEG.	FINISH
			NOTED
			NOTED

SEE TABLE		TITLE	
CHICAGO MINIATURE LAMP, INC 147 CENTRAL AVE. HACKENSACK, NJ 07601		SINGLE POSITION LIGHT PIPE	
DIST. S		DWG NO B17198	
SCALE 4:1		SHEET	

ORIGINAL
WHEN RED