

Excellent Integrated System Limited

Stocking Distributor

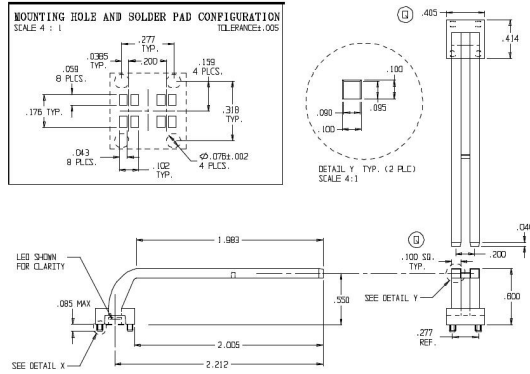
Click to view price, real time Inventory, Delivery & Lifecycle Information:

[Visual Communications Company, LLC](#)
[7512A7-AV0](#)

For any questions, you can email us directly:

sales@integrated-circuit.com

Part Number : 7512A7-AV0
Serial Number : 7512
Light Pipes



Led type	SMD LED
Type	Right Angle, 2 Wide
Mounting	PCB Press-In Pin
Works with	CMD67-22 Series
Housing ul rating	UL 94-V0

Drawn : VG	Ch'd : VG	Datasheet : 7512	Print date : 06/05/06
Revision :	Revision date : 2006-03-06	Name : VG	Scale :