

## Excellent Integrated System Limited

Stocking Distributor

Click to view price, real time Inventory, Delivery & Lifecycle Information:

[C&K Components](#)

[PVB4 EE 300 NS LFS](#)

For any questions, you can email us directly:

[sales@integrated-circuit.com](mailto:sales@integrated-circuit.com)

# PVB

## Low Profile SMT Push Switches



### Features/Benefits

- Compact design
- Adapted for medium power applications
- SMD soldering process
- Tape & reel packaging
- RoHS compliant and compatible

### Typical Applications

- Automotive (air conditioning, lighting)
- Industrial
- Control panels

### Construction

FUNCTION: Momentary, Push-Push  
 CONTACT ARRANGEMENT: SPDT (PVB4); DPDT (PVB6)  
 SWITCHING MODE: Non-shorting  
 TERMINALS: G termination  
 PC Pins for THT version

### Mechanical

TOTAL TRAVEL / LATCHING TRAVEL:  
 OA: 2,3 mm  
 EE: 2,3 / 1,5 mm  
 OPERATING FORCE: 3N

### Process

SOLDERING:  
 Compatible with lead free soldering process

### Packaging

PVB4 - 150 pieces  
 PVB6 - 200 pieces per reel for SMT version  
 PVB6 - 600 pieces per box for THT version

### Electrical

SWITCHING POWER MAX.: PVB4: 1,4 W DC ; PVB6: 2,8 W DC  
 SWITCHING VOLTAGE MAX.: 14 V DC  
 SWITCHING CURRENT MAX.: PVB4: 100 mA DC; PVB6: 200 mA DC  
 DIELECTRIC STRENGTH (50 Hz / 1 min): 500 V between open contacts  
 OPERATING LIFE:  
 PVB4 / PVB6  
 OA (momentary): ≥ 100,000 cycles  
 EE (push-push): ≥ 100,000 cycles  
 CONTACT RESISTANCE: Initial ≤ 150 mΩ  
 INSULATION RESISTANCE: ≥ 10<sup>8</sup> Ω(100 VDC - 60s)

### Environmental

OPERATING TEMPERATURE: -40°C to 80°C

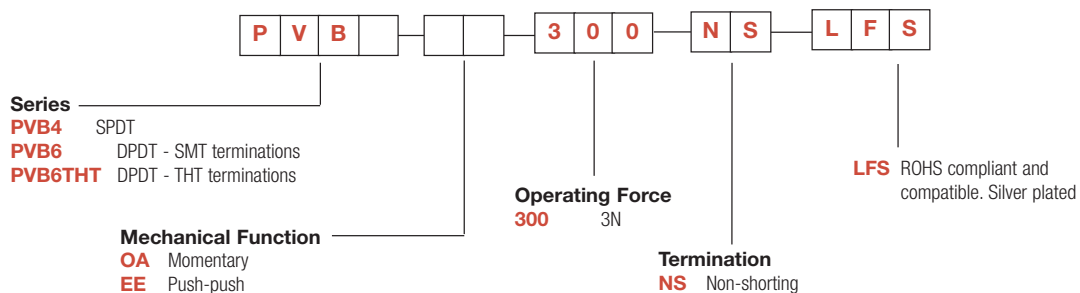


D

Key Switches

### How To Order

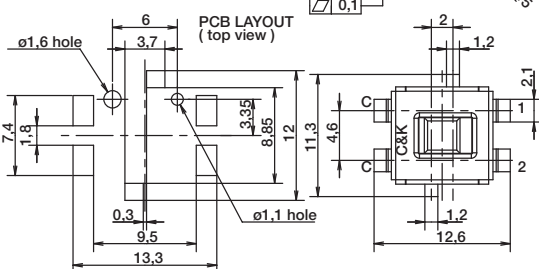
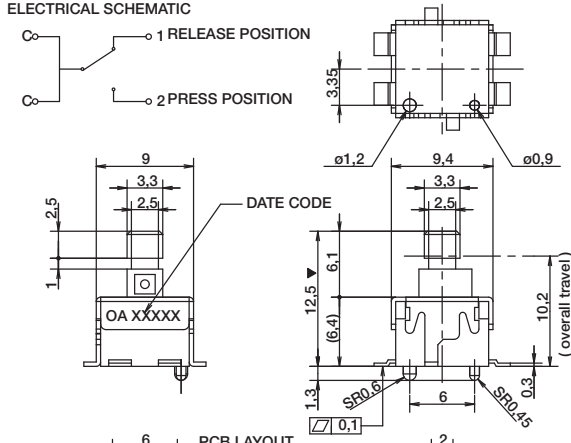
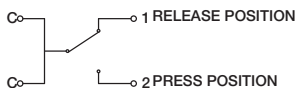
Our easy build-a-switch concept allows you to mix and match options to create the switch you need. To order, select desired option from each category and place it in the appropriate box. **Some of the configurations may not be available or could require some development.**



# PVB Low Profile SMT Push Switches

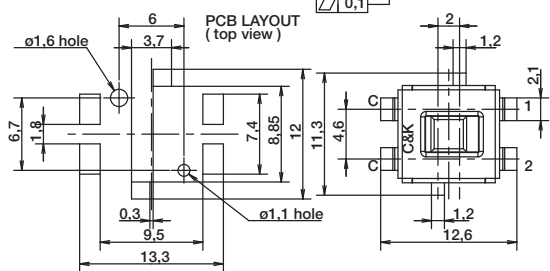
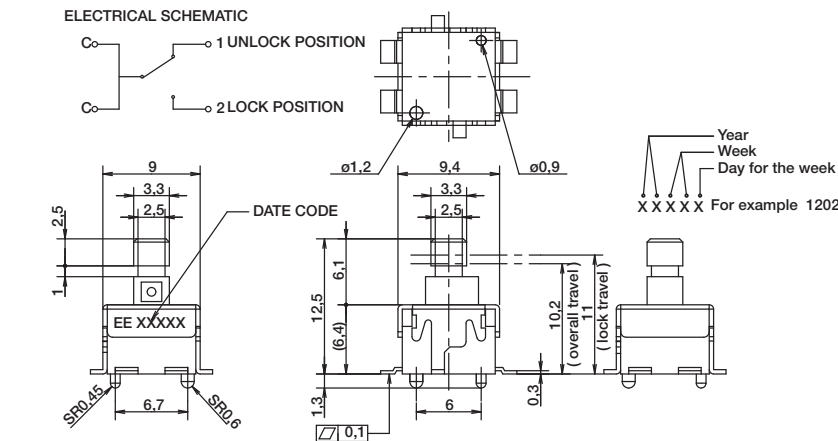
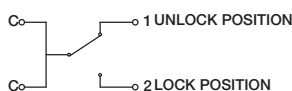
## PVB4 OA MOMENTARY

**ELECTRICAL SCHEMATIC**



## PVB4 EE PUSH PUSH

**ELECTRICAL SCHEMATIC**



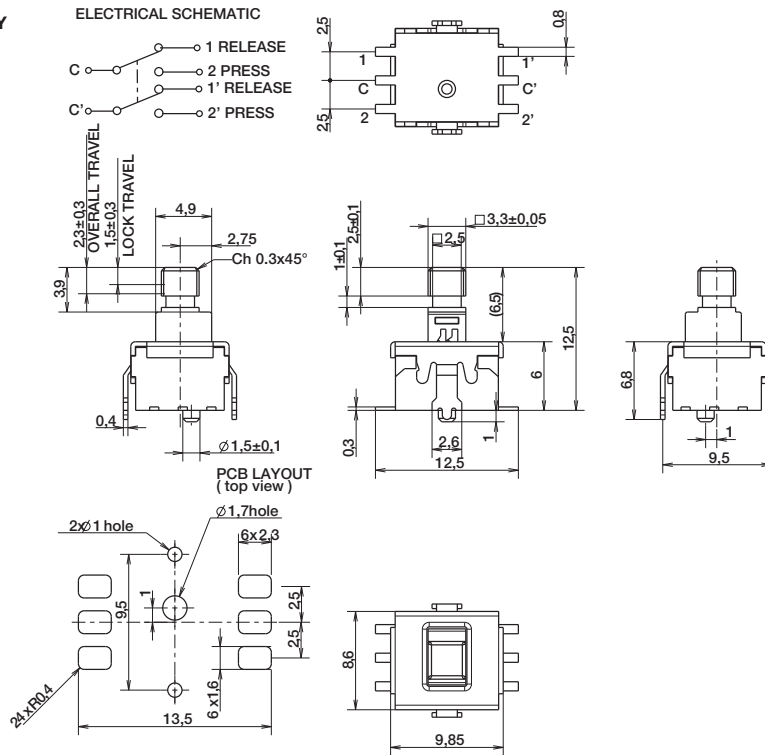
**Key Switches**



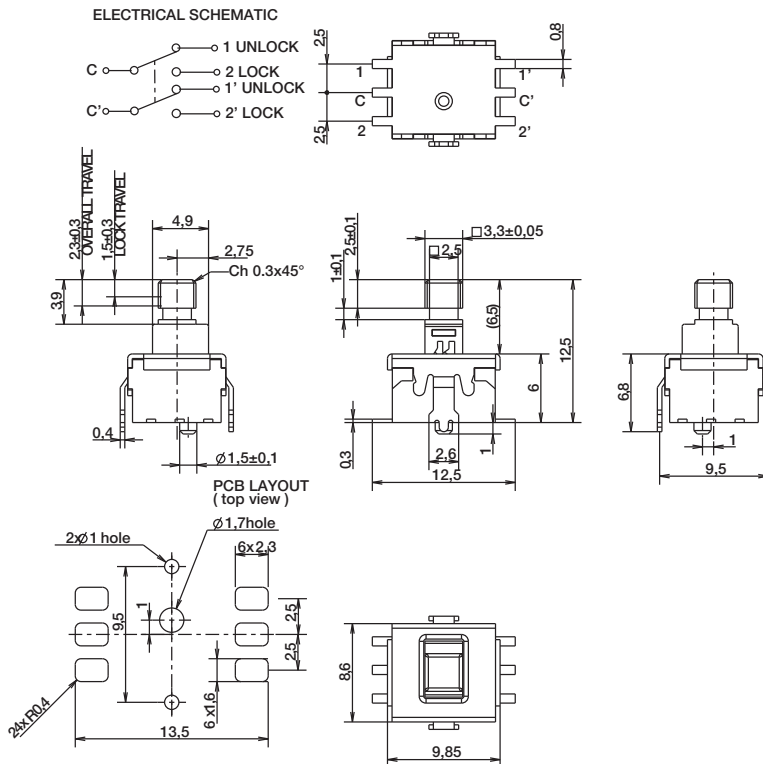
*Dimensions are shown: mm  
Specifications and dimensions subject to change*

# PVB Low Profile SMT Push Switches

## PVB6 OA MOMENTARY



## PVB6 EE PUSH PUSH

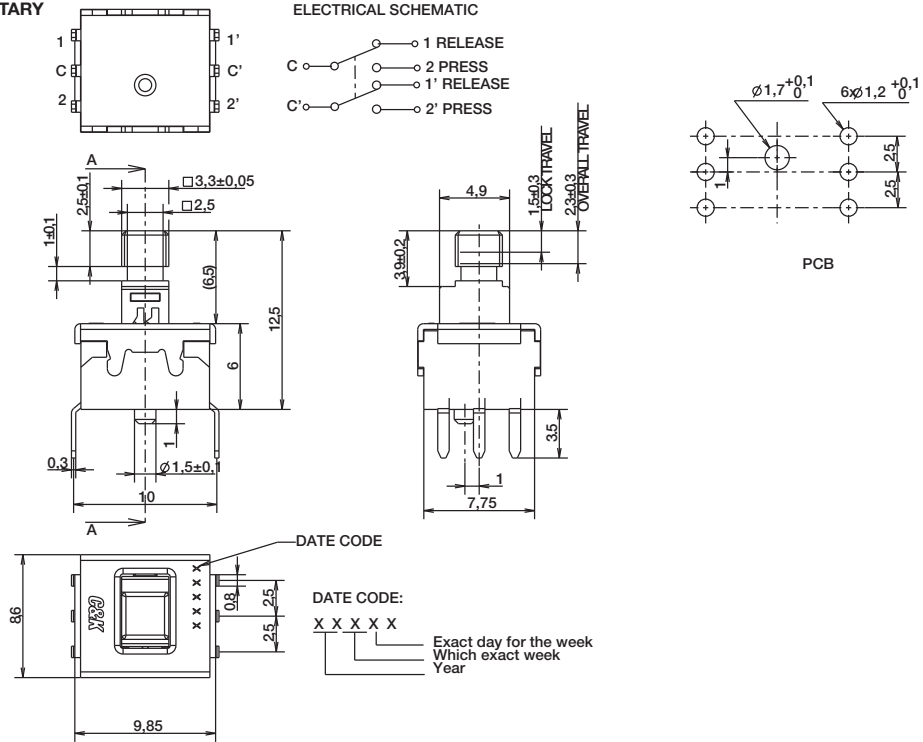


D

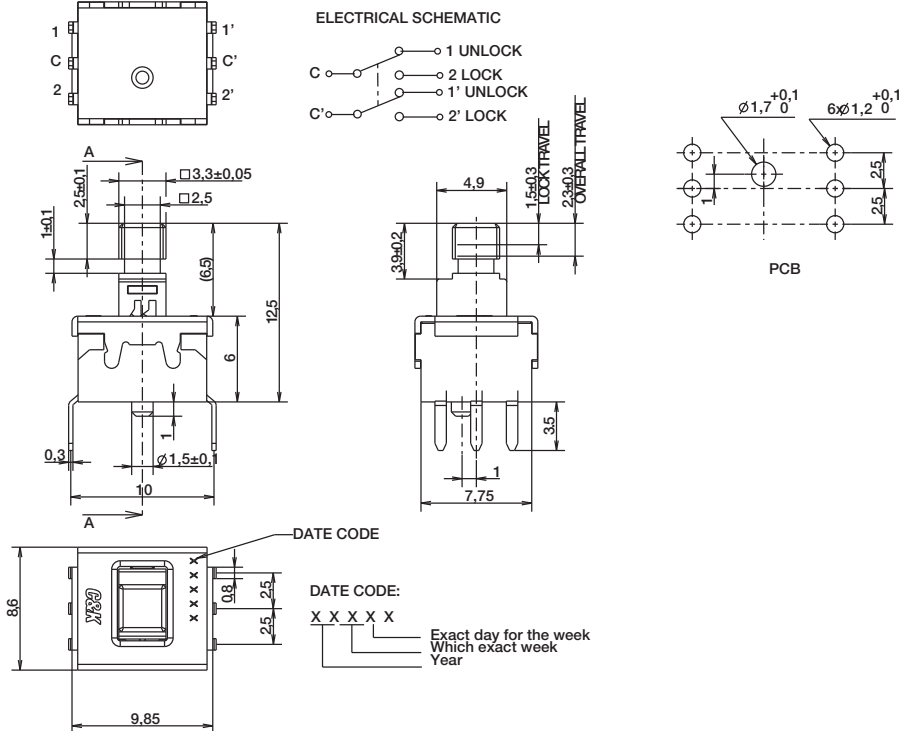
Key Switches

# PVB Low Profile Push Switches

## PVB6 THT OA MOMENTARY



## PVB6 THT EE PUSH PUSH

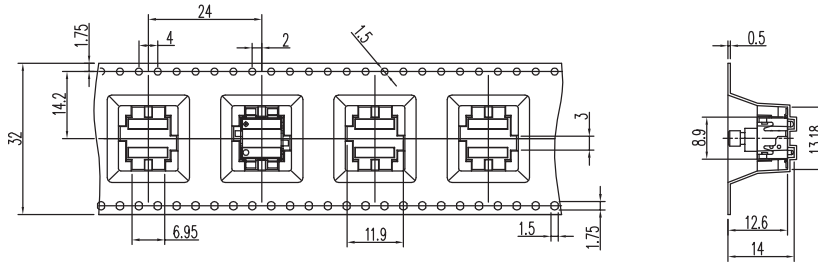


Key Switches

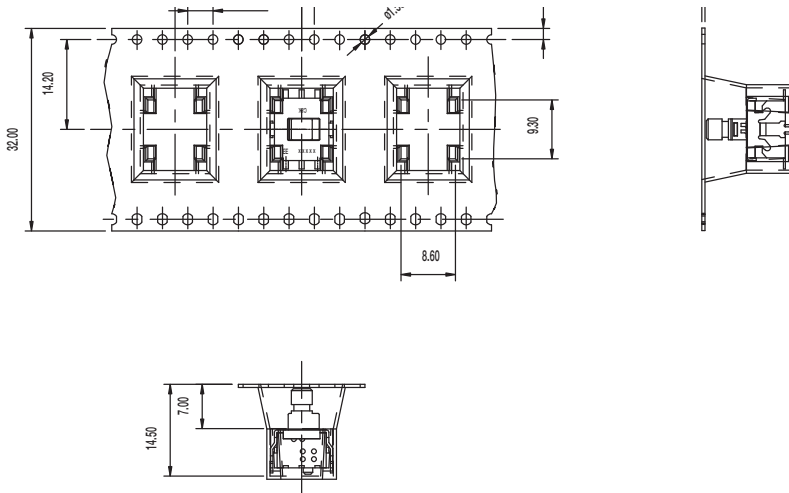
# PVB Low Profile Push Switches

## TAPE & REEL

### PVB4



### PVB6



D

Key Switches