

Excellent Integrated System Limited

Stocking Distributor

Click to view price, real time Inventory, Delivery & Lifecycle Information:

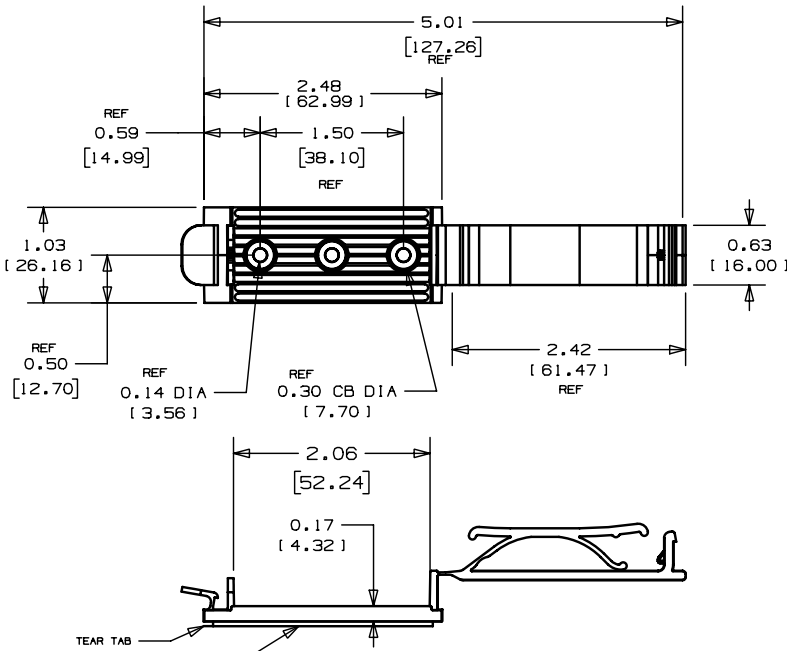
[Panduit](#)

[FCH2-S6-C14](#)

For any questions, you can email us directly:

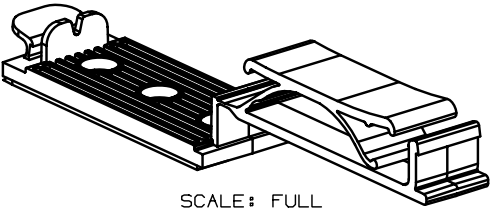
sales@integrated-circuit.com

THIS COPY IS PROVIDED ON A RESTRICTED BASIS AND IS NOT TO BE USED IN ANY WAY DETRIMENTAL TO THE INTERESTS OF PANDUIT CORP.



PANDUIT PART NUMBER	WEIGHT lbs/100 pcs (g)/100 pcs
FCH2-A	2.40 (1089.60)

NO WARRANTY, EXPRESSED OR IMPLIED, IS MADE BY PANDUIT WITH RESPECT TO ADHESIVE BOND PERFORMANCE. AMONG OTHER THINGS, THE CONDITIONS UNDER WHICH THESE MOUNTS MAY BE APPLIED, AND/OR THE SURFACE TO WHICH THEY MAY BE APPLIED, ARE BEYOND PANDUIT'S CONTROL.



SCALE: FULL

ADHESIVE BACKING
PRESSURE SENSITIVE FOAM TAPE 0.040(1.02) THICK WITH RUBBER ADHESIVE AND PROTECTIVE LINER. MOUNT IS DESIGNED TO SUPPORT 1.28lbs. (581.7g) MAXIMUM WEIGHT ON A CLEAN, DRY, SMOOTH, GREASE-FREE SURFACE.

- TO APPLY FLAT CABLE HOLDER:
1. REMOVE PROTECTIVE LINER
 2. PLACE IN DESIRED LOCATION
 3. APPLY PRESSURE TO THE TOP OF FLAT CABLE HOLDER.

DIMENSIONS IN BRACKETS ARE METRIC [mm]

OID FILENAME/LAYER G00239FH_PB_FCH2_06



FCH2-A
FLAT CABLE HOLDER

UNLESS OTHERWISE SPECIFIED, DIMENSIONAL TOLERANCES ARE:
(.X) ±0.05 (1.3) (.XXX) ±0.010 (0.25)
(.XX) ±0.02 (0.5) ANGLES ±5°

UNLESS OTHERWISE SPECIFIED, ALL DIMENSIONS ARE GIVEN IN INCHES, THIRD ANGLE PROJECTION.

REV	DATE	BY	CHK	DESCRIPTION	ECN	R	CUST	SUP
6	7/6/04	JAD		UPDATE PICTORIALY	G00239FH	6		
5	5-10-02	LOG		ADDED ADHESIVE BACKING NOTE.	G00239FH	5		

DRAWN BY JAD	MAT'L: NYLON 6/6	SCALE 3/4
DATE 10-1-97		DRAWING NO. G00239FH
CHK'D		DWG SIZE A