

## Excellent Integrated System Limited

Stocking Distributor

Click to view price, real time Inventory, Delivery & Lifecycle Information:

[Tamura](#)  
[420AS24025](#)

For any questions, you can email us directly:

[sales@integrated-circuit.com](mailto:sales@integrated-circuit.com)



REV. Status

REVISION -  
10/25/01 RJ

REVISION A  
CHANGED  
INPUT TO 11W  
02/28/02 RJ

REVISION B  
REVISED PLUG  
LOCATION. ADDED  
RoHS  
05/23/06 MP

AC-DC UL/cUL ADAPTOR DC 24V 250mA

**A. Electrical specifications**

1. Input voltage: AC 120V ±10% 60Hz ±0.5Hz
2. Output voltage and current: DC 24V at 250mA

| $V_{in}$ | 100% Load    | No Load     |
|----------|--------------|-------------|
| 108      | 20.0VDC MIN  | -           |
| 120      | 23.5-24.5VDC | 32.0VDC MAX |
| 132      | -            | 35.0VDC MAX |

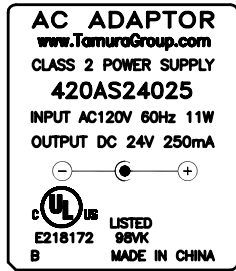
NOTE: Specification applies after 10 minutes warm-up with full load and at any operating temperature.

3. Operating temperature: -10°C to +40°C
4. Storage temperature: -20°C to +85°C
5. Operating and Storage Humidity: 0 to 95% without condensation
6. Withstand voltage: AC 1000Vrms 1 minute @ input to output

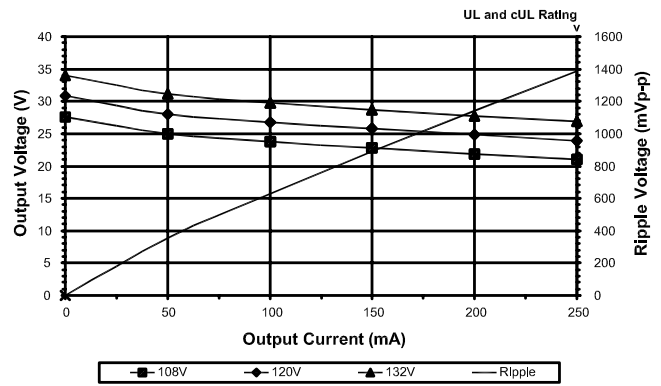
**B. Typical performance data test Condition:**  
 Ta= +25°C measured after 10 minute warm-up with input at 120V 60Hz

**C. Safety agencies**  
 UL and cUL File No. E218172

**D. Nameplate: Information is as follows:**  
 Metallic letters on a black background

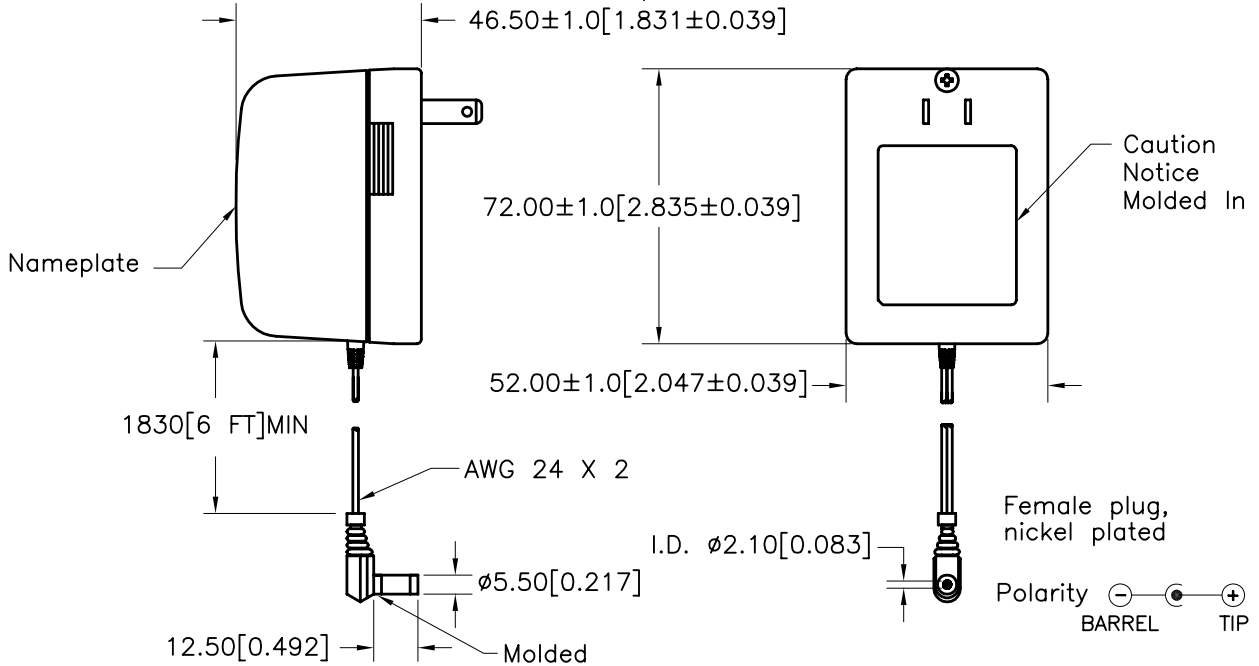


**TYPICAL PERFORMANCE CHART**



**E. Mechanical Specifications**

All dimensions shown are nominal unless otherwise specified



PREPARED BY:  
K. BRENNAN

ENGINEER:  
M. PITCHAI

DWG CONTROL NO. P-A7-12948  
ACAD\PS\A7129481.DWG

REV B

UL/cUL DC 24V 250mA  
POWER SUPPLY

**420AS24025**

QUALITY CONTROL:  
T. CLEM

CONTENTS OF THIS DRAWING ARE SUBJECT TO CHANGE WITHOUT PRIOR NOTICE

**TAMURA CORPORATION OF AMERICA**  
 43352 BUSINESS PARK DRIVE, TEMECULA, CA. 92590-6624  
 (951) 699-1270 FAX 9516769482

MODEL SPECIFICATION

DIM: mm(In) SCL: NONE SH: 1 OF 1

APPROVED:  
Y. SEKIGUCHI

PROPRIETARY NOTICE: THIS DRAWING PRINT OR DOCUMENT AND SUBJECT MATTER DISCLOSED HEREIN ARE PROPRIETARY ITEMS TO WHICH TAMURA RETAINS THE EXCLUSIVE RIGHT OF DISSEMINATION, REPRODUCTION, MANUFACTURE AND SALE. THIS DRAWING, PRINT OR DOCUMENT IS SUBMITTED IN CONFIDENCE FOR CONSIDERATION BY THE RECIPIENT ALONE UNLESS PERMISSION FOR FURTHER DISCLOSURE IS EXPRESSLY GRANTED IN WRITING.