

## Excellent Integrated System Limited

Stocking Distributor

Click to view price, real time Inventory, Delivery & Lifecycle Information:

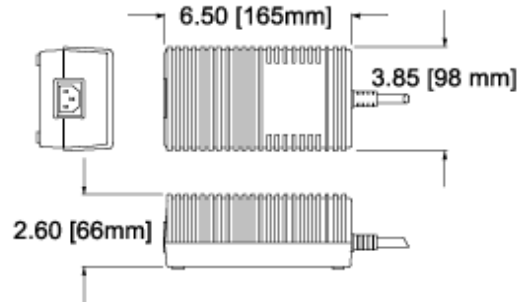
[ICCNEXERGY](#)  
[FW7212-D5](#)

For any questions, you can email us directly:

[sales@integrated-circuit.com](mailto:sales@integrated-circuit.com)

**FW72 Series**

**72 Watt AC Adapter**



**Features**

- Wide range AC input
- Fully enclosed plastic case
- Fully regulated output
- High efficiency
- Warranty: 5 years

**Environmental**

- Operating temperature..... 0°C to 40°C
- Storage temperature..... -55°C to 85°C
- Weight: 2.5 lbs.

**EMI**

Meets FCC class B, CISPR 22 class B

**Safety**

- CSA Certified to CSA 950
- NRTL/C : UL 1950, CSA 950
- CE-Marked

**Electrical specifications**

**Input**

- Voltage..... 100-240VAC
- Current..... 2.0 Amp @ 100VAC
- Frequency..... 47 – 63 Hz
- AC Cord..... Optional
- Input connector..... 3 Pin IEC 320 input receptacle

**Output**

- Line regulation..... TYP +/- 1%
- Load regulation..... TYP +/- 5%
- Set point..... +/- 3% at 60% load
- Hold up time..... 20ms minimum at full load 115VAC
- Over voltage protection..... Built-in
- Over current protection..... Built-in
- Short circuit protection..... Pulsing Mode, auto recovery
- Efficiency..... 80% minimum at full load and 115 VAC
- Transient response..... 2ms for 50% load change typical
- Ripple/noise (V<sub>r,p</sub>)..... +/- 1% (20 MHz bandwidth)
- Output connector..... 5 pin DIN

Polarity	1	2	3	4	5
	Com	Com	+V	Com	+V



**Output Electrical Specifications**

Model No.	Voltage	Power	Current
FW6012-D5	12V	60W	5.0A
FW6024-D5	24V	60W	2.5A
FW7212-D5	12V	72W	6.0A
FW7224-D5	24V	72W	3.0A