

Excellent Integrated System Limited

Stocking Distributor

Click to view price, real time Inventory, Delivery & Lifecycle Information:

[Dialight](#)
[91315531631525](#)

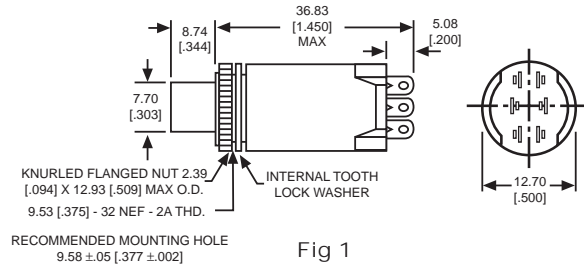
For any questions, you can email us directly:
sales@integrated-circuit.com

ILLUMINATED PUSHBUTTON SWITCHES & MATCHING PANEL MOUNT INDICATORS

913 SERIES LED SWITCH

MOMENTARY ACTION 0.1 AMP AT 125 VAC OR 30 VDC

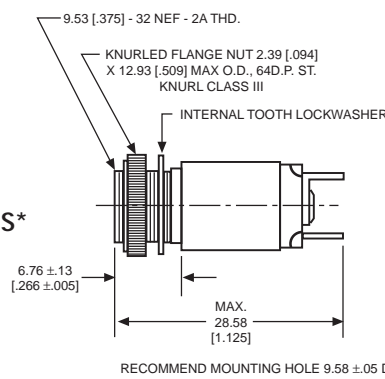
PART NO.	COLOR	CONTACT CIRCUIT	FIG
913-1551-1631-525	RED	N.O.	1
913-1553-1631-525	RED	TWO CIRCUIT	1
913-1601-1632-525	GREEN	N.O.	1
913-1603-1632-525	GREEN	TWO CIRCUIT	1
913-1604-1633-525	YELLOW	N.O.	1
913-1606-1633-525	YELLOW	TWO CIRCUIT	1



Material & Finish: Base, Black Anodized Aluminum. Cap, High Impact Plastic
 Dimensions in mm [inches]

911 SERIES INDICATOR

PART NO.	CAP	FIG
911-1112-525	2	



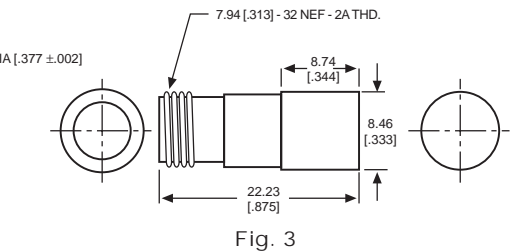
Uses:
 T-1 3/4 MIDGET
 FLANGE BASE
 INCANDESCENT
 LAMP OR BASED
 LED LAMP

911 SERIES CAPS

CYLINDRICAL LENS WITH FRESNEL RINGS*

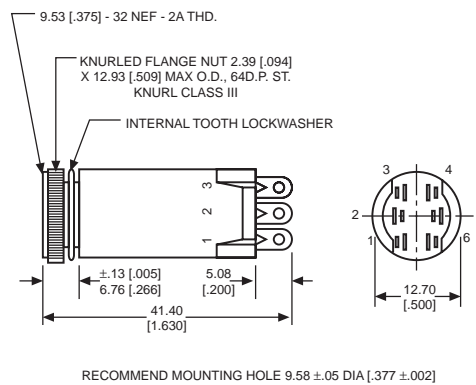
CAP PART NO.	COLOR	FIG
911-1631	RED	3
911-1632	GREEN	3
911-1633	YELLOW	3
911-1634	BLUE	3
911-1635	WHITE	3

*Not recommended for use with legends



922 SERIES MOMENTARY SWITCH

PART NO.	SWITCH FORMS	FIG
922-1524-525	Normally Open	4
922-1526-525	Two Circuit	4



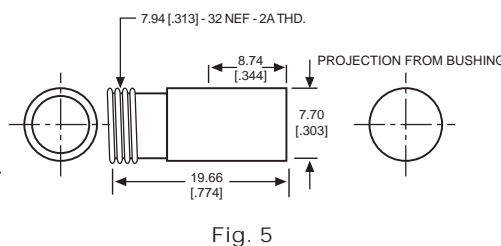
Uses:
 T-1 3/4 MIDGET
 FLANGE BASE
 INCANDESCENT
 LAMP OR BASED
 LED LAMP

908 SERIES CAPS

CYLINDRICAL LENS WITH FRESNEL RINGS*

CAP PART NO.	COLOR	FIG
908-1631	RED	5
908-1632	GREEN	5
908-1633	YELLOW	5
908-1634	BLUE	5
908-1635	WHITE	5

*Not recommended for use with legends



Neon and incandescent lamp information on Pages 35 and 36.
 Based LED lamp information on Pages 37 through 40.
 Dimensions in mm [inches]