

Excellent Integrated System Limited

Stocking Distributor

Click to view price, real time Inventory, Delivery & Lifecycle Information:

[Dialight](#)
[051340601300](#)

For any questions, you can email us directly:
sales@integrated-circuit.com



Important notes about Classic Panel Mount Indicator Catalog Pages

SCROLL DOWN TO VIEW CATALOG PAGE

This catalog page is out-of-print and is used with the understanding that the information shown could be out-of-date. In many cases, part numbers shown on this page are discontinued. Most notably, many “Complete Assembly” parts, which consist of a cap and a base, can no longer be ordered by the 14-digit ordering code. To obtain these parts, please order the cap and base part numbers separately. This process provides the components contained with the original “Complete Assembly” part number.

All Dialight Classic Panel Mount Indicators need a leading 3-digit numerical series. In some cases, this catalog will show a 2-digit series. In this case, please add a leading zero. For example, 81-0211-300 becomes 081-0211-300.

Part numbers listed on Dialight catalog pages designate parts with Red lenses. For ordering lens colors other than red, consult the chart below. In most cases, the color is dictated by the 7th digit. For example, 095-0932-003 for a green cap.

Lens Colors	
1 - Red	5 - White
2 - Green	6 - Light Yellow
3 - Yellow	7 - Clear
4 - Blue	

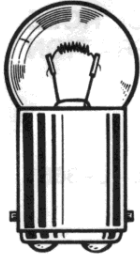
[Click here for a cross reference guide to assembly part numbers.](#)

[Click here to view Frequently Asked Questions concerning Panel Mount Indicators.](#)

SCROLL DOWN TO VIEW CATALOG PAGE

Large Incandescent Indicators

FOR MOUNTING IN 1" CLEARANCE HOLE
 FOR 6 TO 32V OPERATION



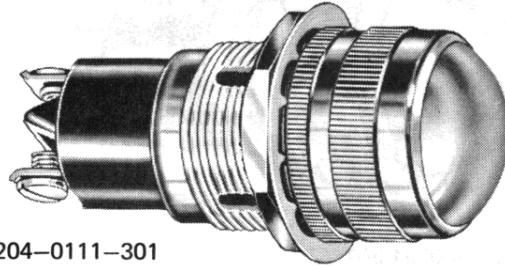
G-6
 DOUBLE CONTACT
 BAYONET BASE

See lamp ratings
 on page K.

These series indicator lights meet or exceed requirements of MIL-L-3661.

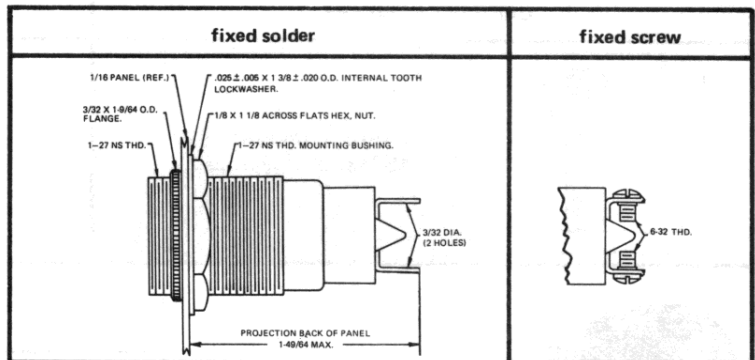
For materials and finishes of products in this group, see page 38D.

Recognized under the component
 program of Underwriters'
 Laboratories Inc.
 75W., 125V.



51-3204-0111-301
 Convex lens

WITH SCREW-ON LENS CAPS



51 SERIES

BASE PART NUMBERS

CAP PART NUMBERS	COMPLETE ASSEMBLY PART NUMBERS
<p>CONVEX 51-0111-300 back frosted 51-0131-300 unfrosted</p>	<p>51-3406-01-301</p> <p>51-3206-01-301</p> <p>51-3404-0111-301 51-3404-0131-301</p> <p>51-3204-0111-301 51-3204-0131-301</p>
<p>FLAT 51-0211-300 back frosted 51-0231-300 unfrosted</p> <p>For legends on flat faced lens, see page P.</p>	<p>51-3404-0211-301 51-3404-0231-301</p> <p>51-3204-0211-301 51-3204-0231-301</p>
<p>FACETED 51-0431-300 unfrosted</p>	<p>51-3404-0431-301</p> <p>51-3204-0431-301</p>

Part numbers shown in gray are normally
 in inventory at your Dialight Distributor.

Part numbers listed in this catalog designate products with RED lens.
 For ordering lens colors other than red, consult chart on page 2D.