

Excellent Integrated System Limited

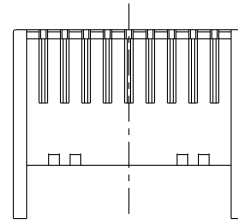
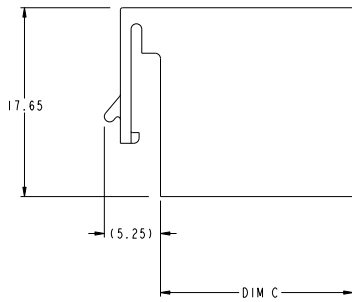
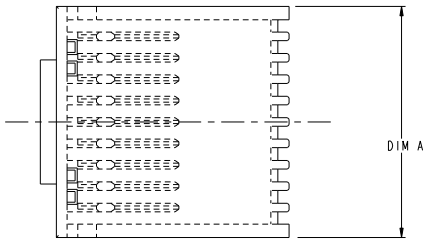
Stocking Distributor

Click to view price, real time Inventory, Delivery & Lifecycle Information:

[FCI](#)
[10058685-003](#)

For any questions, you can email us directly:
sales@integrated-circuit.com

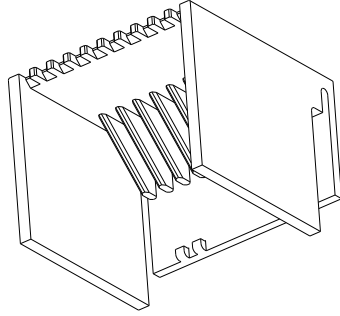
PRODUCT NUMBER
SEE SHEET 2



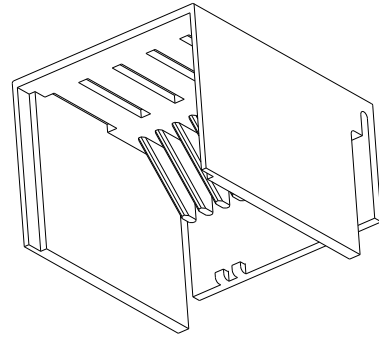
CONFIDENTIAL

www.fciconnect.com				surface	ASME Y14.5	tolerance std	ASME Y14.5	projection	MM
				tolerances	UNLESS OTHERWISE SPECIFIED			size	A2
				ANGULAR	0.1	±0.3	Scale		4:1
				LINEAR	0.1xx	±0.10	ECN		***
				Product family			Spec ref		-
rev	rch no	dr	date	Dr	T. HOUTZ	2005-06-16			Rev.
A	506-0199	CH	2006-06-05	Eng	C. H. TAN	2006-06-05			B
B	507-0055	LS	2007-06-04	Chk	C. H. TAN	2007-06-04			
				Appr	JOEY NG	2007-06-04			
				FCI		AirMax COVER			
				R/A HDR & RECPT - Spr, 2mm		10058685			
				CUSTOMER		sheet 1 of 2			

PART NUMBER (NOTE 3)	CONNECTOR GENDER	NUMBER OF IMLAS	DIM A	DIM C
10058685-001LF	R/A HEADER	6	13.60	18.00
10058685-002LF	R/A HEADER	8	17.60	18.00
10058685-003LF	R/A HEADER	10	21.60	18.00
10058685-004LF	R/A RECEPT.	6	13.60	23.45
10058685-005LF	R/A RECEPT.	8	17.60	23.45
10058685-006LF	R/A RECEPT.	10	21.60	23.45



10058685-003LF SHOWN
SCALE 4:1



10058685-006LF SHOWN
SCALE 4:1

NOTES:

- MATERIAL: THERMOPLASTIC RESIN
COLOR : BLACK.
UL94V-0 COMPLIANT.
MAXIMUM OPERATING TEMPERATURE IS 105°C.
- THIS PRODUCT IS NOT INTENDED TO BE EXPOSED TO A MANUFACTURING SOLDER PROCESS.
- THIS PRODUCT MEETS EUROPEAN UNION DIRECTIVES AND OTHER COUNTRY REGULATIONS AS DESCRIBED IN GS-22-008.
- PACKAGING MEETS GS-14-920 LEAD FREE LABELLING SPECIFICATION.

CONFIDENTIAL

FCI	Part Title	AirMax COVER	Part No	10058685	Rev.	B
	Category	R/A HDR & RECEPT - Spr, 2mm	Customer		Sheet	2 of 2

PDM: Rev: B

STATUS: Released 8 Printed: Dec 01, 2010