

Excellent Integrated System Limited

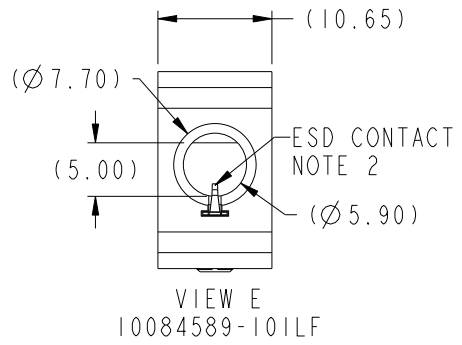
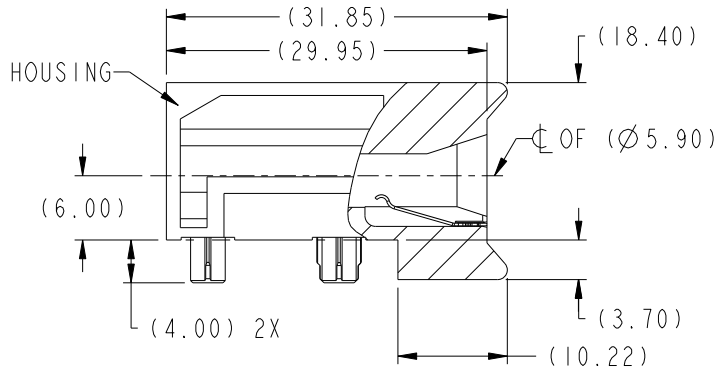
Stocking Distributor

Click to view price, real time Inventory, Delivery & Lifecycle Information:

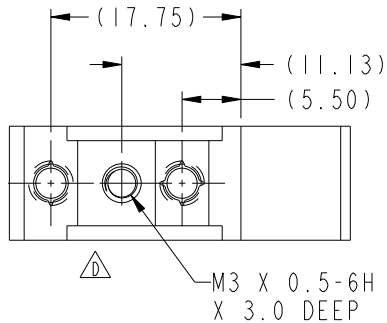
[FCI](#)
[10084589-101LF](#)

For any questions, you can email us directly:
sales@integrated-circuit.com

PRODUCT NUMBER	REMARKS
10084589-101LF	WITH ESD CONTACT (VIEW E)
10084589-111LF	WITHOUT ESD CONTACT (VIEW F)



VIEW E
10084589-101LF



VIEW F
10084589-111LF

www.fciconnect.com			surface 3.2 ASME Y14.5	tolerance std ASME Y14.5	projection MM
TOLERANCES UNLESS OTHERWISE SPECIFIED			ANGULAR	LINEAR	size A4
Dr	C. H. TAN	2008-06-20	0.X	±.3	Scale 1:1
Eng	Y. K. LIM	2010-06-02	0.XX	±.10	ECN S10-0118
Chr	C. H. TAN	2010-06-02	0.XXX	±.050	Spec ref
Appr	JOEY NG	2010-06-02	Product family AirMax Accessories		
FCI			10.8mm GUIDE MODULE ASSY		diag no 10084589
WITH KEYING OPTIONS			CUSTOMER		Rev. D
catalog no			sheet 1 of 3		

rev	ech no	dr	date
A	S08-0174	CH	2008-06-02
B	S08-0181	CH	2008-06-13
C	S08-0192	CH	2008-06-20
D	S10-0118	YK	2010-06-02
-	-	-	-
-	-	-	-
-	-	-	-

REV E - 2008-03-28

PDM: Rev:D

STATUS: Released

Printed: Dec 01, 2010



Copyright FCI.

A

B

C

D

A

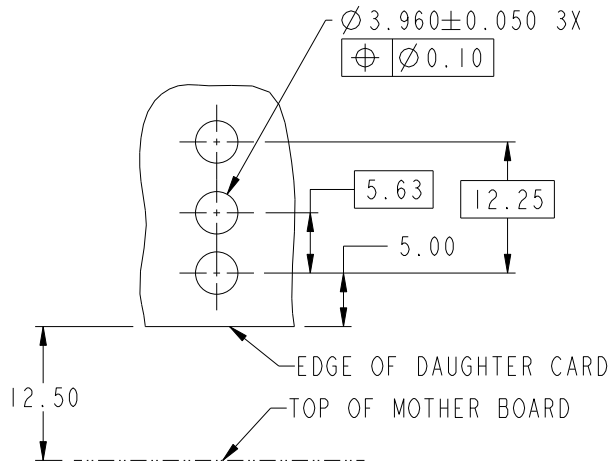
B

C

D



Copyright FCI.



SCALE 2:1

RECOMMENDED PCB LAYOUT NOTES 4 & 5

REV E - 2004-03-26

1

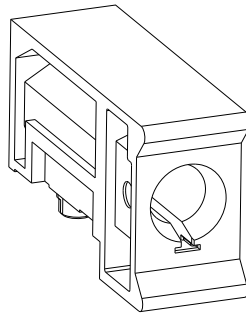
2


FCI	title	10.8mm GUIDE MODULE ASSY	desig no	10084589	Rev.	D
	WITH KEYING OPTIONS					
	catalog no	-	CUSTOMER	sheet 2 of 3		

PDM: Rev:D

STATUS: **Released**

⁴Printed: Dec 01, 2010



- ① MATERIAL: ZINC ALLOY
- ② FINISH: HOUSING; TRIVALENT CHROMATE IRIDESCENT
 ESD CONTACT; 1.27um MINIMUM NICKEL ALL OVER
3. APPLICATION SPEC: GS-20-045
- ④ THRU HOLE PLATING AND ANNULAR RINGS MUST BE ADDED AS APPROPRIATE FOR APPLICATIONS WITH THE ESD GROUNDING OPTION. FINISHED HOLE SIZE IS THE SAME REGARDLESS OF PLATED BARREL OR NOT
- ⑤ REFER TO CUSTOMER DRAWING 10035911 FOR INFORMATION REGARDING PCB LAYOUT OF POWER AND GUIDE MODULES RELATIVE TO SIGNAL MODULES
6. THIS PRODUCT MEETS EUROPEAN UNION DIRECTIVES AND OTHER COUNTRY REGULATIONS AS DESCRIBED IN GS-22-008.
7. PACKAGING MEETS GS-14-920 LEAD FREE LABELING SPECIFICATION.
8. A  SYMBOL WOULD BE NEXT TO DIMENSIONS, VIEW OR NOTE WHICH HAS BEEN MODIFIED WITH THE CURRENT DRAWING REVISION

	title	10.8mm GUIDE MODULE ASSY	desig no	10084589	Rev.	D
	WITH KEYING OPTIONS					
	catalog no	-	CUSTOMER	sheet 3 of 3		

REV E - 2004-03-26

PDM: Rev:D

STATUS: **Released**

⁴Printed: Dec 01, 2010