

Excellent Integrated System Limited

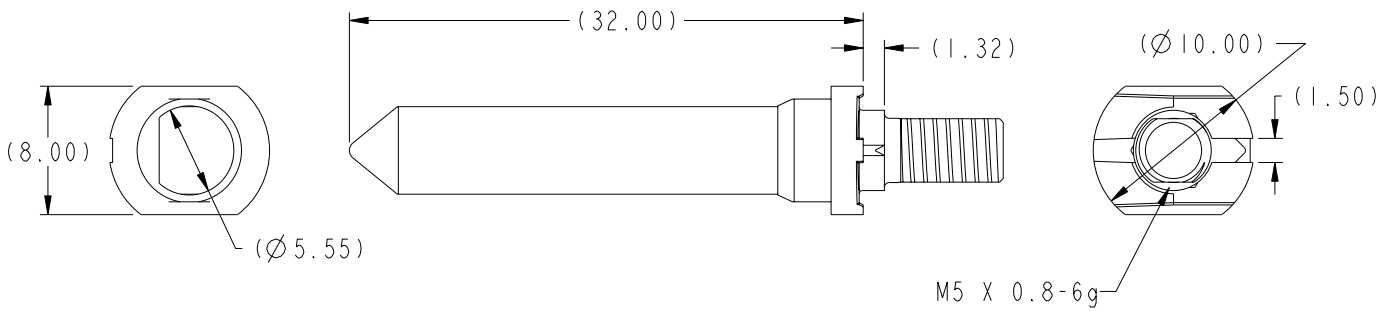
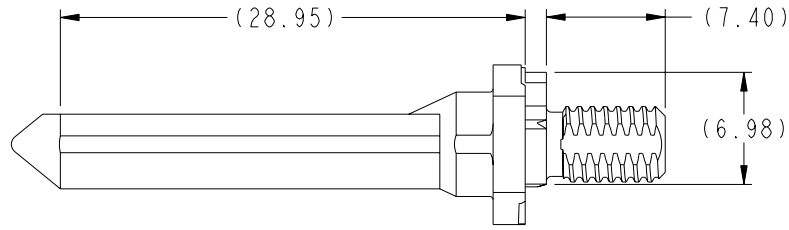
Stocking Distributor

Click to view price, real time Inventory, Delivery & Lifecycle Information:

[FCI](#)
[10084590-101LF](#)

For any questions, you can email us directly:
sales@integrated-circuit.com

PRODUCT NUMBER
10084590-101LF



Copyright FCI.

www.fciconnect.com				surface 3.200 ASME Y14.5	tolerance std ASME Y14.5	projection MM	MM	
TOLERANCES UNLESS OTHERWISE SPECIFIED				ANGULAR	LINEAR	size A4	Scale 3:1	
Dr	C. H. TAN	2008-06-02		0.X	±0.3			
Eng	C. H. TAN	2008-06-02		0.XX	±0.10			
Chr	C. H. TAN	2008-06-13		0.XXX	±0.050			
Appr	JOEY NG	2008-06-13		Product family AirMax Accessories		Spec ref		
rev	ech no	dr	date	FCI		diag no	10084590	Rev. B
A	S08-0174	CH	2008-06-02	10.8mm GUIDE PIN,				
B	S08-0181	CH	2008-06-13	EXT. THREAD				
-	-	-	-	catalog no			CUSTOMER	sheet 1 of 3

REV F - 2008-06-13

PDM: Rev:B

STATUS: Released

Printed: Dec 01, 2010

A

B

C

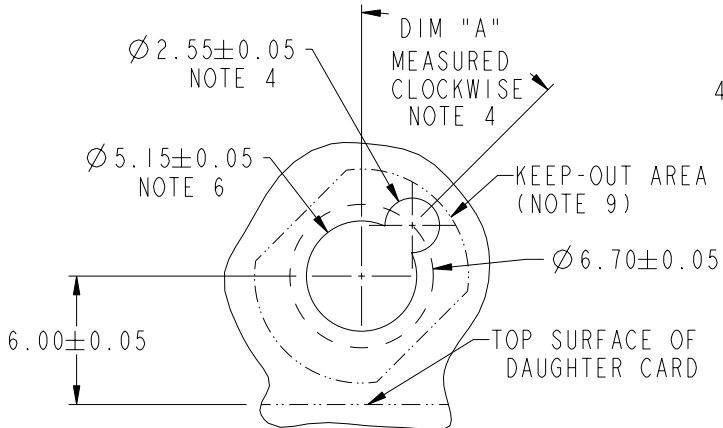
D

A

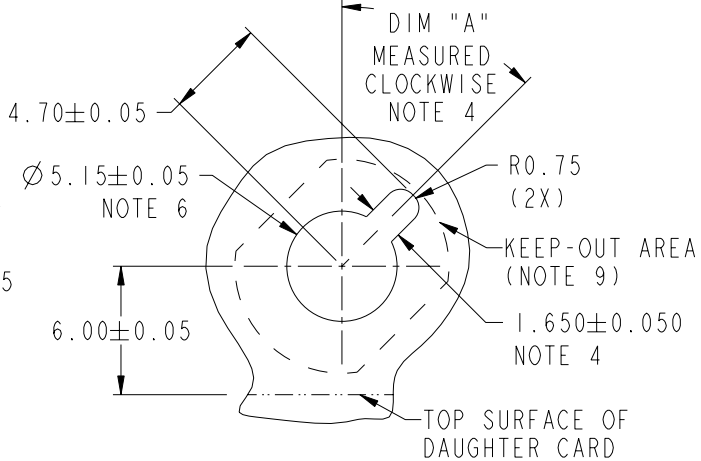
B

C

D



RECOMMENDED PCB LAYOUT(DRILLING)
NOTES 4, 5 & 6
SCALE 4:1



RECOMMENDED PCB LAYOUT(MILLING)
NOTE 4, 5 & 6
SCALE 4:1



Copyright FCI.

10.8 MM RECEPTACLE GUIDE MODULE NOTE 4	DIM "A"
10084589-1X1LF	0°

FCI	title	10.8mm GUIDE PIN, EXT. THREAD	desig no	10084590	Rev.	B
	catalog no	-	CUSTOMER	sheet 2 of 3		

REV F - 2004-04-13

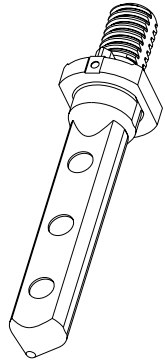
1

2

PDM: Rev:B

STATUS:Released

4Printed: Dec 01, 2010



1. MATERIAL: ZINC ALLOY
2. FINISH: TRIVALENT CHROMATE IRIDESCENT
3. APPLICATION SPECIFICATION: GS-20-045
- ④ KEY HOLE ORIENTATION (DIM "A") WILL BE DEFINED BY THE MATING RECEPTACLE GUIDE MODULE PART NUMBER - SEE TABLE, SHEET 2
- ⑤ REFER TO CUSTOMER DRAWING 10035911 FOR INFORMATION REGARDING PCB LAYOUT OF POWER AND GUIDE MODULES RELATIVE TO SIGNAL MODULES
- ⑥ THRU HOLE PLATING AND ANNULAR RINGS MUST BE ADDED IN APPLICATIONS THAT USE THE ESD GROUNDING OPTION. FINISHED HOLE SIZE IS THE SAME REGARDLESS OF PLATED BARREL OR NOT.
7. THIS PRODUCT MEETS EUROPEAN UNION DIRECTIVES AND OTHER COUNTRY REGULATIONS AS DESCRIBED IN GS-22-008.
8. PACKAGING MEETS GS-14-920 LEAD FREE LABELING SPECIFICATION.
- ⑨ KEEP OUT ZONE MATCH PROFILE OF SEATED GUIDE PIN, SEE SHEET 1 FOR REFERENCE DIMENSIONS OF GUIDE PIN OUTLINE.

FCI	title	10.8mm GUIDE PIN, EXT. THREAD	desig no	10084590	Rev.	B
	catalog no	-	CUSTOMER	sheet 3 of 3		

REV F - 2006-04-11

PDM: Rev:B

STATUS: **Released**

⁴Printed: Dec 01, 2010



Copyright FCI.