

## Excellent Integrated System Limited

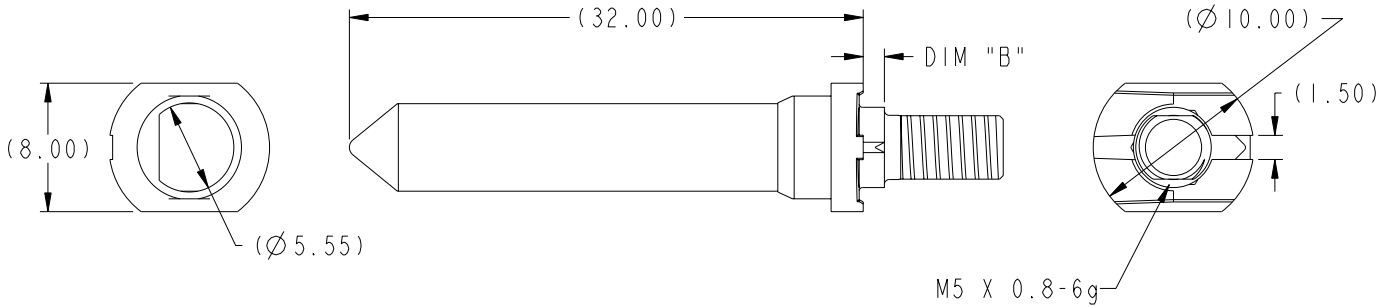
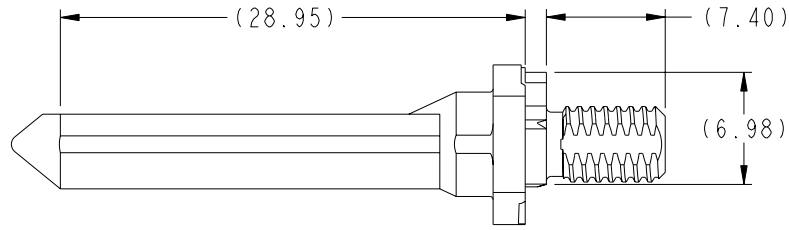
Stocking Distributor

Click to view price, real time Inventory, Delivery & Lifecycle Information:

[FCI](#)  
[10098938-10110LF](#)

For any questions, you can email us directly:  
[sales@integrated-circuit.com](mailto:sales@integrated-circuit.com)

PRODUCT NUMBER  
SEE TABLE, SHT 3



Copyright FCI.

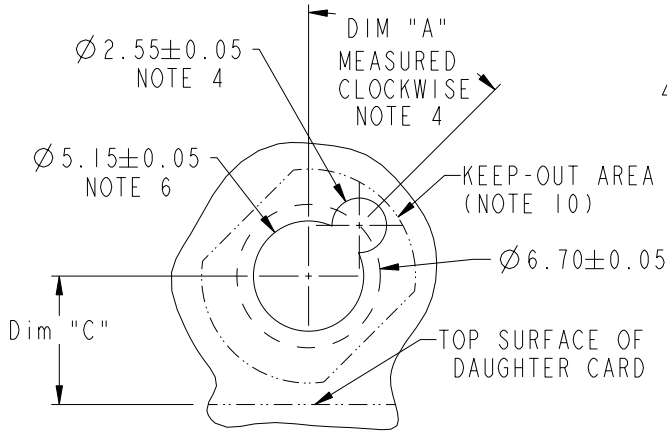
www.fciconnect.com				surface 3.200 ASME Y14.5	tolerance std ASME Y14.5	projection MM				
				TOLERANCES UNLESS OTHERWISE SPECIFIED						
Dr	Y. K. LIM	2009-04-06		ANGULAR	0.X	±0.3	size	A4	Scale	3:1
Eng	Y. K. LIM	2009-04-06		LINEAR	0.XX	±0.10	ECN	S09-0296		
Chr	C. H. TAN	2009-04-06		Ø   ±2"	0.XXX	±0.050	Spec ref			
Appr				Product family		AirMax Accessories				
				Title		10.8mm GUIDE PIN,	Part no		10098938	Rev.
				EXT. THREAD			Customer			A
				catalog no			sheet		1 of 4	

REV F - 2009-04-17

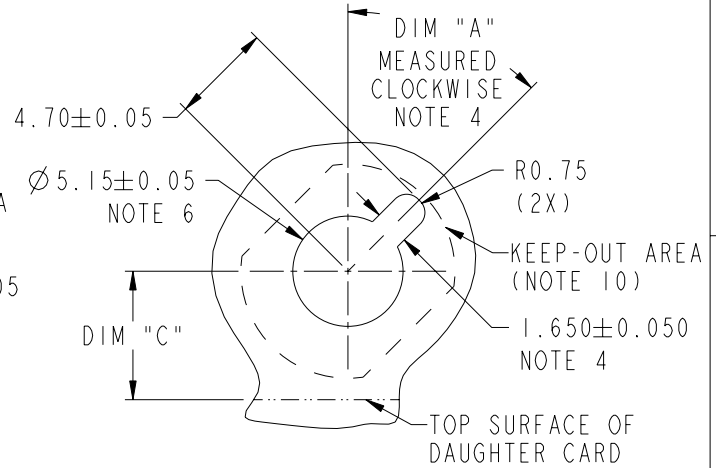
PDM: Rev:A

STATUS: Released

Printed: Dec 01, 2010



RECOMMENDED PCB LAYOUT (DRILLING)  
NOTES 4, 6, & 7  
SCALE 4:1



RECOMMENDED PCB LAYOUT (MILLING)  
NOTE 4, 6 & 7  
SCALE 4:1



Copyright FCI.

10.8 MM RECEPTACLE GUIDE MODULE NOTE 4 & 5	DIM "A"
10098939-1X1Z00LF	0°
10098939-1X2Z00LF	45°
10098939-1X3Z00LF	90°
10098939-1X4Z00LF	135°
10098939-1X5Z00LF	180°
10098939-1X6Z00LF	225°
10098939-1X7Z00LF	270°
10098939-1X8Z00LF	315°

<b>FCI</b>	title	10.8mm GUIDE PIN, EXT. THREAD	desig no	10098938	Rev.	A
	catalog no	-	CUSTOMER	sheet 2 of 4		

REV F - 2006-04-11

1

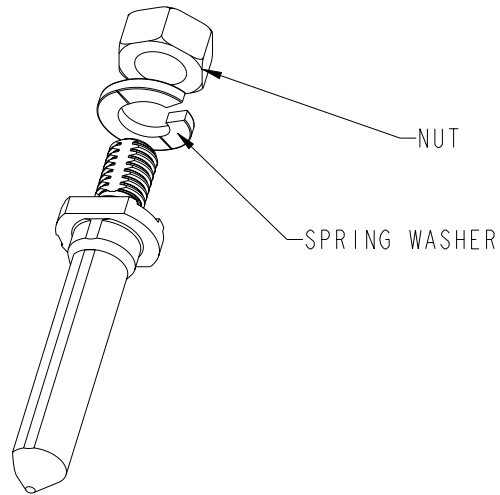
2

PDM: Rev:A

STATUS: Released

4 Printed: Dec 01, 2010

PART NUMBER (SEE NOTE 5)	DIM "B"	DIM "C" 4/5 PAIR	DIM "C" 2/3 PAIR
10098938-10110LF	1.32	6.00	4.50



**P/N DESIGNATION: 10098938-10XYZLF**

LEAD-FREE DESIGNATION: NOTE 8

WITH OR WITHOUT SPRING WASHER, SEE NOTE 5

WITH OR WITHOUT FLAT WASHER, SEE NOTE 5

DIM "B": SEE TABLE (SHEET 3)

<b>FCI</b>	title	10.8mm GUIDE PIN,	desig no	10098938	Rev.	A
	EXT. THREAD		catalog no	-	CUSTOMER	sheet 3 of 4

REV F - 2004-04-17

**PDM: Rev:A**

STATUS: **Released**

<sup>4</sup>Printed: Dec 01, 2010



Copyright FCI.

A

B

C

D

1. MATERIAL: ZINC ALLOY
2. FINISH: ZINC YELLOW CHROMATE
3. APPLICATION SPECIFICATION: GS-20-045
- ④ KEY HOLE ORIENTATION (DIM "A") WILL BE DEFINED BY THE MATING RECEPTACLE GUIDE MODULE PART NUMBER - SEE TABLE (ORIENTATION SHOWN IS FOR 10098939-1X2Z00LF)
- ⑤ Y = 0 FOR GUIDE PIN WITH FLAT WASHER  
 Y = 1 FOR GUIDE PIN WITHOUT FLAT WASHER  
 Z = 0 FOR GUIDE PIN WITH SPRING WASHER  
 Z = 1 FOR GUIDE PIN WITHOUT SPRING WASHER
- ⑥ REFER TO CUSTOMER DRAWING 10035911 FOR INFORMATION REGARDING PCB LAYOUT OF POWER AND GUIDE MODULES RELATIVE TO SIGNAL MODULES
- ⑦ THRU HOLE PLATING AND ANNULAR RINGS MUST BE ADDED IN APPLICATIONS THAT USE THE ESD GROUNDING OPTION. FINISHED HOLE SIZE IS THE SAME REGARDLESS OF PLATED BARREL OR NOT.
- ⑧ THIS PRODUCT MEETS EUROPEAN UNION DIRECTIVES AND OTHER COUNTRY REGULATIONS AS DESCRIBED IN GS-22-008.
9. PACKAGING MEETS GS-14-920 LEAD FREE LABELING SPECIFICATION.
- ⑩ KEEP OUT ZONE MATCH PROFILE OF SEATED GUIDE PIN, SEE SHEET 1 FOR REFERENCE DIMENSIONS OF GUIDE PIN OUTLINE.
- △ II. A △ SYMBOL WILL BE NEXT TO ANY DIMENSION, VIEW OR NOTE WHICH HAS BEEN MODIFIED WITH THE CURRENT DRAWING REVISION



Copyright FCI.

REV F - 2004-04-13

1

2

	title	10.8mm GUIDE PIN, EXT. THREAD	desig no	10098938	Rev.	A
	catalog no	-	CUSTOMER	sheet 4 of 4		

**PDM: Rev:A**

STATUS: **Released**

<sup>4</sup>Printed: Dec 01, 2010