

## Excellent Integrated System Limited

Stocking Distributor

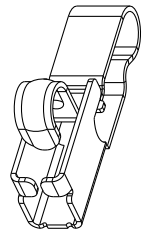
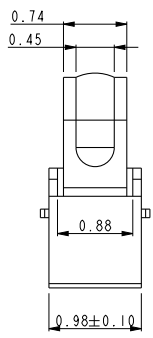
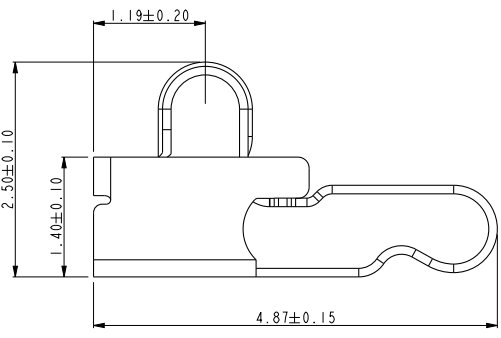
Click to view price, real time Inventory, Delivery & Lifecycle Information:

[FCI](#)  
[10104319-009RLF](#)

For any questions, you can email us directly:  
[sales@integrated-circuit.com](mailto:sales@integrated-circuit.com)

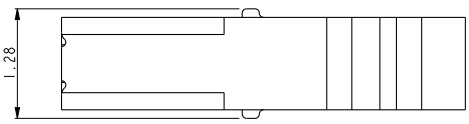
DESCRIPTION	
FCI	10104319-001RLF
	10104319-003RLF
	10104319-009RLF

A



B

C



Copyright FCI.

D

NOTES:  
 1. MATERIAL: BERYLLIUM COPPER ALLOY.  
 2. CONTACT PLATING:  
 CONTACT AREA: PLATING 1um Au over 1.0/3.0 um Ni UNDERPLATE.  
 or PLATING 0.05 to 0.15um Au over 1.0/3.0 um Ni UNDERPLATE.  
 or PLATING 1um GXT over 1.0/3.0 um Ni UNDERPLATE.  
 (1um GXT is 0.025-0.125um Au over 0.875um PdNi)  
 SOLDER AREA: PLATING 0.05 to 0.15um Au over 1.0/3.0um Ni UNDERPLATE.  
 3. PACKAGING: TAPE & REEL  
 4. PART NUMBER DESCRIPTION:  
 10104319-0 0 X X X  
 L F : LEAD FREE  
 R : TAPE AND REEL  
 CONTACT PLATING  
 1 : 1um Au over Ni.  
 3 : 0.05-0.15um Au over Ni.  
 9 : 1um GXT over Ni.

rev	ecn no	dr	date
A	DG09-0331	NZ	2009-11-09
B	DG11-0048	SM	2011-02-22
C	ELX-DG-011079-1	ANDY	2012-03-27
-	-	-	-
-	-	-	-

spec ref	*	dr	Louis Ng	2009/10/06	projection	mm	size	A4	scale	16.000
tolerance std	ASME Y14.5	eng	Andy Lu	2012/03/27			ecn no	ELX-DG-011079-1		
TOLERANCES UNLESS OTHERWISE SPECIFIED		chr	Young Ou	2012/03/28			product family	-	rel level	Released
surface	linear	appr	Pei-Ming Zheng	2012/03/28			title	ANTENNA CONNECTOR		rev <b>C</b>
ASME Y14.5	angular	www.fci.com	cat. no.	10076429	Product - Customer	Drw	sheet 1 of 1			

Print File: REV C - 2009-08-09

1

2

3

PDS: Rev :C

STATUS:Released

Printed: Mar 28, 2012