

Excellent Integrated System Limited

Stocking Distributor

Click to view price, real time Inventory, Delivery & Lifecycle Information:

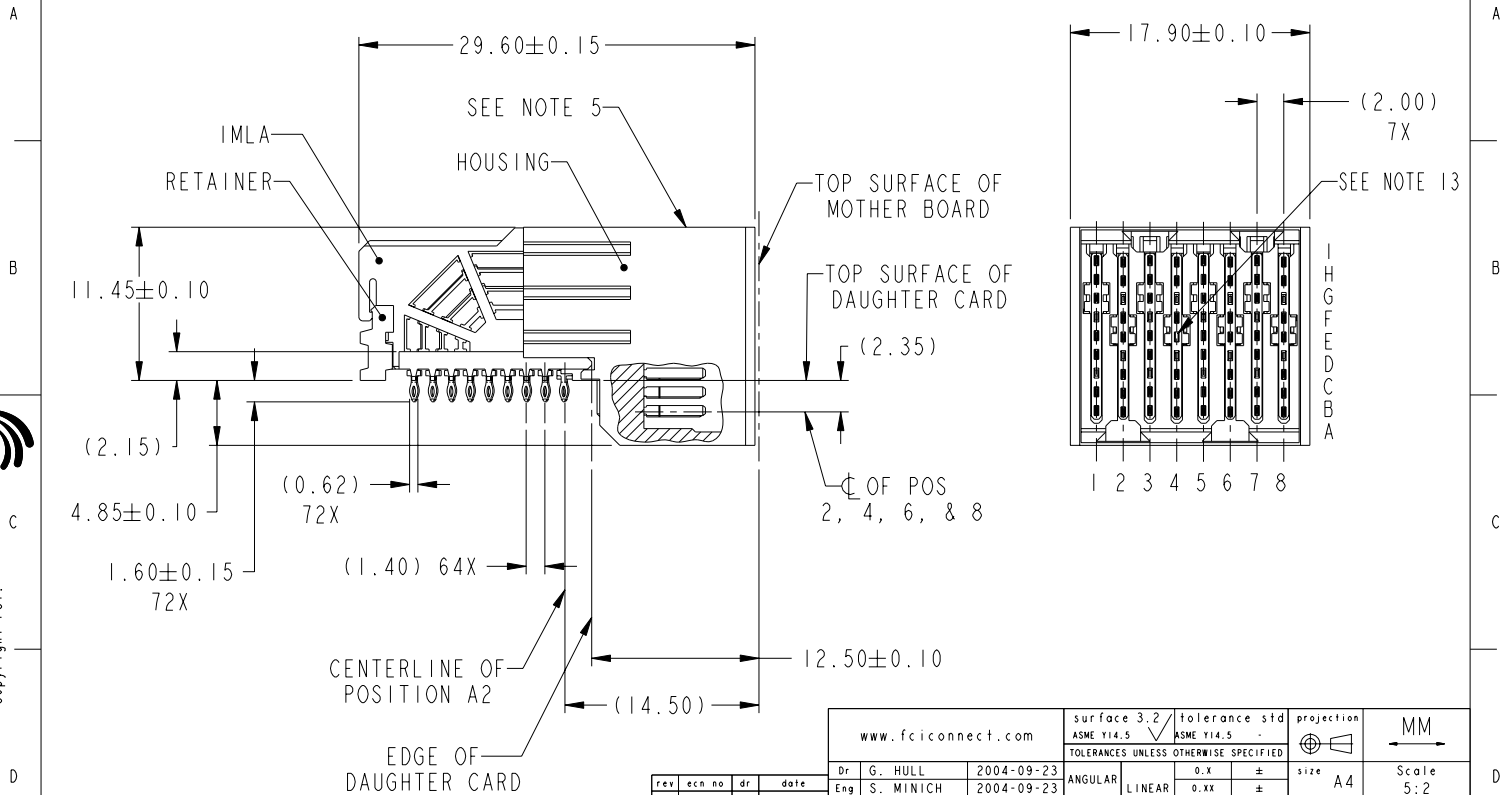
[FCI](#)

[10045267-101LF](#)

For any questions, you can email us directly:

sales@integrated-circuit.com

PRODUCT NUMBER
SEE TABLE, SHEET 5



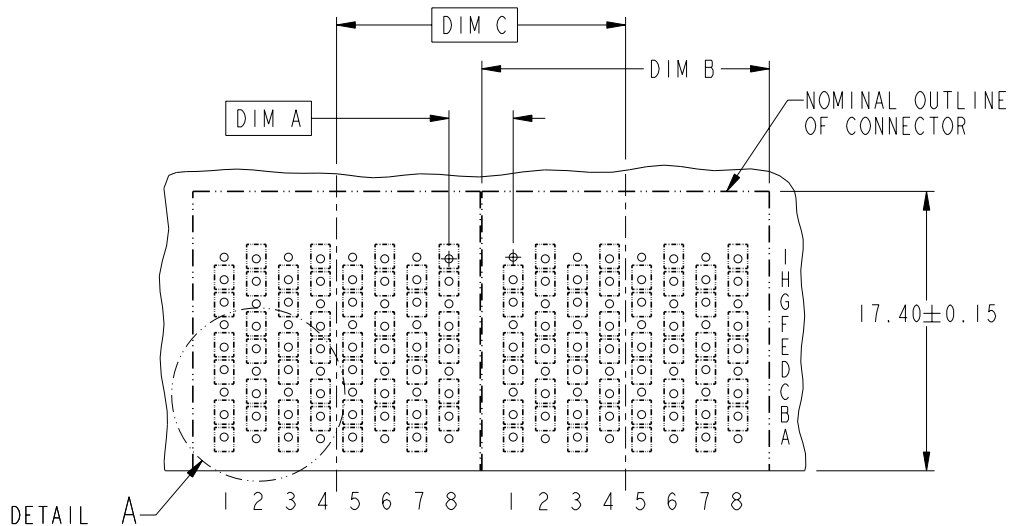
rev	ecn no	dr	date
A	V05-0461	LRJ	2006-02-24
B	V06-0209	LRJ	2006-03-01
C	V06-0531	SCS	2006-06-07
D	S06-0374	DG	2006-12-21
-	-	-	-
-	-	-	-

www.fciconnect.com		surface 3.2 ASME Y14.5	tolerance std ASME Y14.5	projection ASME Y14.5	MM
Dr G. HULL 2004-09-23		TOLERANCES UNLESS OTHERWISE SPECIFIED		size A4	Scale 5:2
Eng S. MINICH 2004-09-23		ANGULAR	0.X	±	ECN ***
Chr C. H. TAN 2006-12-21		LINEAR	0.XX	±	
Appr JOEY NG 2006-12-21		0° ±'	0.XXX	±	Product family AirMax VS Spec ref
FCI logo		AirMax VS R/A HEADER ASSY		dag no 10045267	Rev. D
catalog no		PRESS-FIT, 72 POS, 18MM		CUSTOMER	sheet 1 of 5

Copyright FCI.

REV F - 2006-06-17

DESCRIPTION	DIM A	DIM B	DIM C
2-18MM MODULES PLACED END-TO-END	4.00	17.90 2X	18.00
1-16MM MODULE & 1-18MM MODULE PLACED END-TO-END	3.00	15.90 1X & 17.90 1X	17.00



RECOMMENDED PCB LAYOUT
FOR DIFFERENTIAL APPLICATIONS
COMPONENT SIDE
(TWO ADJACENT FOOTPRINTS SHOWN)
NOTES 6 & 7

	title	AirMax VS R/A HEADER ASSY	desig no	10045267	Rev.	D
		PRESS-FIT, 72 POS, 18MM				
	catalog no	-	CUSTOMER	sheet 2 of 3		

REV F - 2004-04-13

PDM: Rev:D

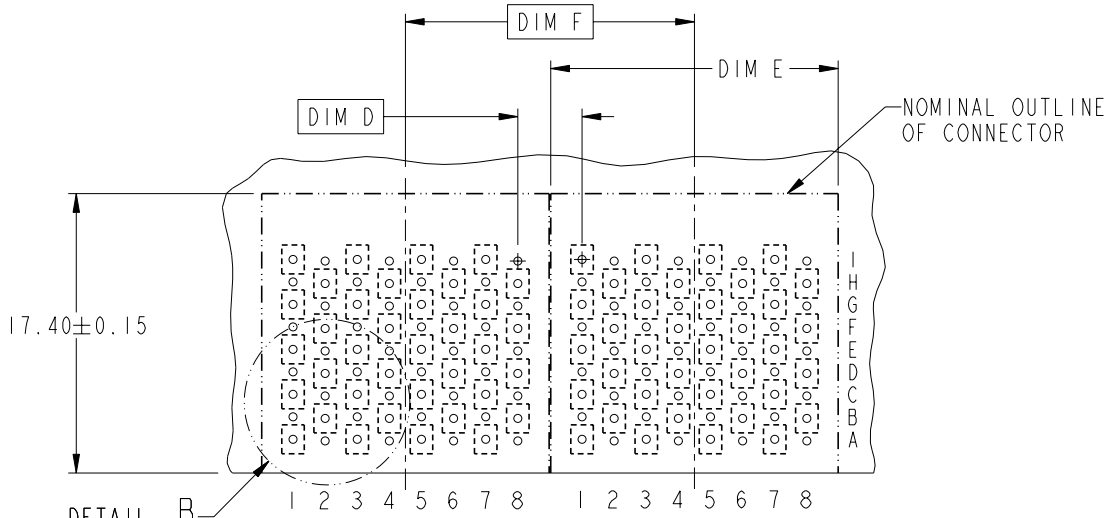
STATUS: Released

Printed: Dec 01, 2010



Copyright FCI.

DESCRIPTION	DIM D	DIM E	DIM F
2-18MM MODULES PLACED END-TO-END	4.00	17.90 2X	18.00
1-16MM MODULE & 1-18MM MODULE PLACED END-TO-END	3.00	15.90 1X & 17.90 1X	17.00



RECOMMENDED PCB LAYOUT
FOR SINGLE ENDED APPLICATIONS
COMPONENT SIDE
(TWO ADJACENT FOOTPRINTS SHOWN)
NOTES 6 & 7



title	AirMax VS R/A HEADER ASSY	desig no	10045267	Rev.	D
catalog no	-	CUSTOMER	sheet 3 of 5		

REV F - 2004-04-13

1

2

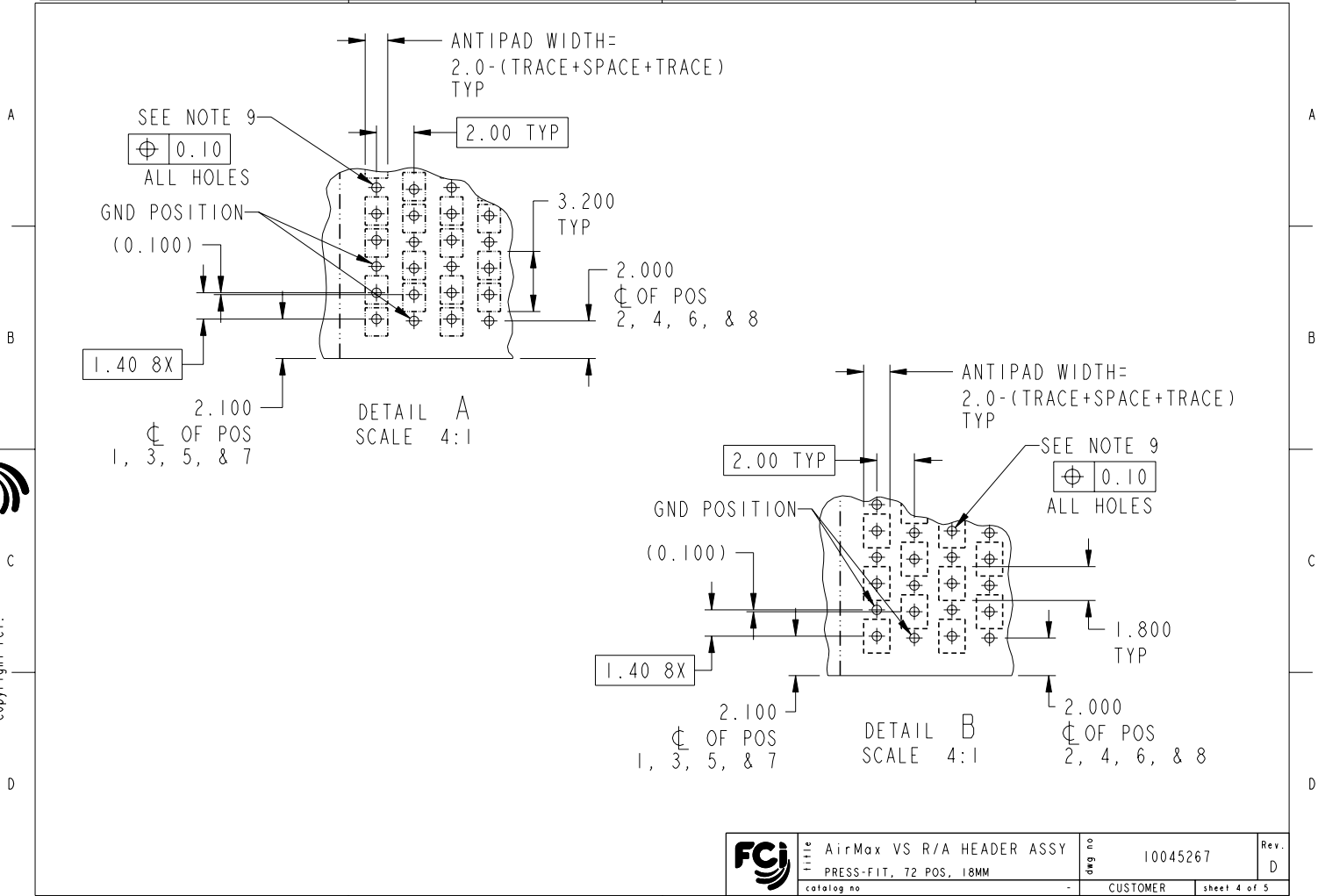
PDM: Rev:D

STATUS: **Released**

⁴Printed: Dec 01, 2010



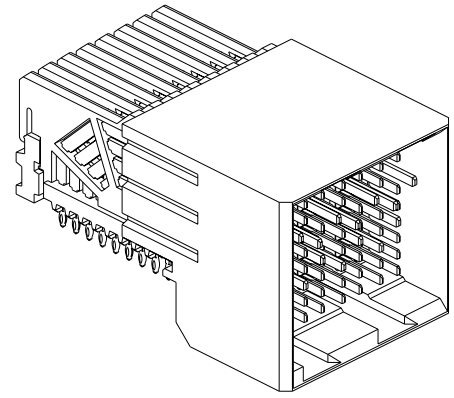
Copyright FCI.



FCI	title	AirMax VS R/A HEADER ASSY	desig no	10045267	Rev.	D
	catalog no	PRESS-FIT, 72 POS, 18MM	CUSTOMER	sheet 4 of 5		

Copyright FCI.

PART NUMBER	PRESS-FIT TAIL PLATING TYPE	SHORT DETECT CONTACT
10045267-101	TIN/LEAD ALLOY OVER NICKEL	NO
10045267-101LF	TIN OVER NICKEL (LEAD FREE)	
10045267-111	TIN/LEAD ALLOY OVER NICKEL	YES (SEE NOTE 13)
10045267-111LF	TIN OVER NICKEL (LEAD FREE)	



NOTES:

1. CONNECTOR MATERIALS:
HOUSING & RETAINER: HIGH TEMP THERMOPLASTIC, NATURAL, UL94V-0
IMLA PLASTIC: HIGH TEMP THERMOPLASTIC, BLACK, UL94V-0
CONTACT: COPPER ALLOY

2. CONTACT PLATING:
SEPARABLE INTERFACE:
PERFORMANCE-BASED PLATING, QUALIFIED TO MEET THE REQUIREMENTS OF FCI PRODUCT SPECIFICATION GS-12-239 INCLUDING TELCORDIA GR-1217-CORE (NOVEMBER 1995) CENTRAL OFFICE TEST SEQUENCE

PRESS-FIT TAILS: SEE TABLE

3. PRODUCT SPECIFICATION: GS-12-239

4. APPLICATION SPECIFICATION: GS-20-035

5. PRODUCT MARKING, (PART NUMBER & LOT CODE), ON THIS SURFACE

6. REFER TO CUSTOMER DRAWING 10035911 FOR INFORMATION REGARDING PCB LAYOUT OF POWER AND GUIDE MODULES RELATIVE TO SIGNAL MODULES

7. POSITIONS F OF ODD NUMBERED COLUMNS AND POSITIONS G OF EVEN NUMBERED COLUMNS CORRESPOND TO EARLY MATE HEADER PINS

8. THERE IS NO GROUND BUSSING WITHIN THE CONNECTOR SYSTEM

9. REFER TO CUSTOMER DRAWING 10045979 FOR INFORMATION ON PCB HOLE DIAMETERS AND PLATING OPTIONS.

10. LEAD FREE PRODUCT MEETS EUROPEAN UNION DIRECTIVES AND OTHER COUNTRY REGULATIONS AS DESCRIBED IN GS-22-008.

11. THE HOUSING WILL WITHSTAND EXPOSURE TO 260°C PEAK TEMPERATURE FOR 40 SECONDS IN A CONVECTION, INFRA-RED OR VAPOR PHASE REFLOW OVEN.

12. PACKAGING MEETS GS-14-920 LEAD FREE LABELING SPECIFICATION.

13. MATING PIN E4 HAS 0.5mm LESS NOMINAL WIPE THAN THE SHORTEST SIGNAL PIN.



Copyright FCI.

FCI	title	AirMax VS R/A HEADER ASSY	desig no	10045267	Rev.	D
	catalog no	PRESS-FIT, 72 POS, 18MM		CUSTOMER	sheet 5 of 5	

REV F - 2006-06-17

PDM: Rev:D

STATUS: Released

4 Printed: Dec 01, 2010