

## Excellent Integrated System Limited

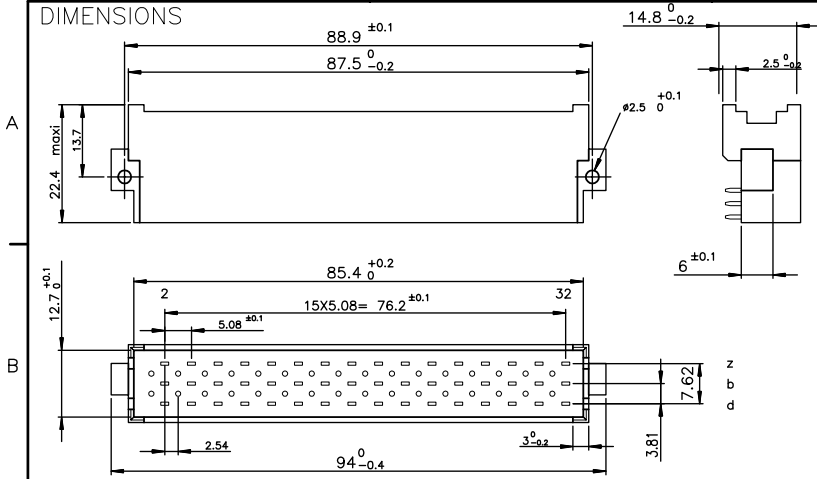
Stocking Distributor

Click to view price, real time Inventory, Delivery & Lifecycle Information:

[FCI](#)  
[5159009486394111LF](#)

For any questions, you can email us directly:  
[sales@integrated-circuit.com](mailto:sales@integrated-circuit.com)

**DIMENSIONS**



**ELECTRICAL DATA**

- Current at AMB. 5,5 A at 20° / 4 A at 70°
- Contact resistance ≤15mΩ according to DIN 41640 Teil 4 test 2a
- Insulation resistance ≥ 10<sup>8</sup> MΩ according to DIN 41640 teil 7 test 3a according to DIN 41640 teil 21
- TEST VOLTAGE contact/contact 1550 V
- contact/ground 2500 V

**MECHANICAL DATA**

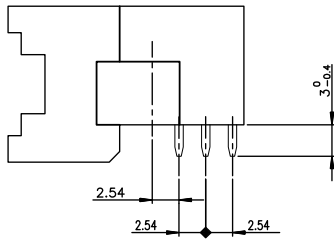
- Insertion force ≤75N
- Mechanical endurance 500 matings unmatings according to DIN41640 teil 21
- Material insulator Polycarbonate UL94V1
- Material contacts Copper alloy
- Finishing contact surface Gold over nickel lead-free
- Finishing termination Tin lead or Lead-Free
- Schock ≤30mΩ according to DIN 41640 Teil 14 test 6c
- Vibration 10-2000Hz/20g according to DIN 41640 Teil 15

**ENVIRONMENTAL DATA**

- Climatic category According to DIN 41612 - class 1
- Corrosion According to DIN 41612 - class 1

PERFORMANCES AS PER DIN 41612 STYLE F CLASS 1

**TERMINATION**

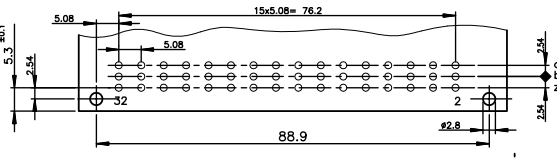


**NOTE RoHS INFORMATION**

- The "LF" products meet European Union Directives and other country regulations as described in GS-22-008.
- The housing will withstand exposure to 260°C peak temperature for 3.5 seconds in a wave solder application with a 1.6mm minimum thick circuit board.
- For the right angled versions , like the current leaded versions, it's recommended to use high temperature adhesive or metallic device, to protect the nearest plastic part in contact with of the solder wave, to avoid any visual plastic deterioration.

LEAD-FREE PART-NUMBER  
5159009486394111LF

**P.C. CARD DRILLING**



rev	ecn no	dr	date
A	-	-	-
B	LS05-0118	JOU	2005/12/13
C	LS06-0022	LGO	2006/02/21
D	LS06-0097	LGO	2006/07/26
E	LS07-0268	LGO	2007/11/19
F	F10-0214	APA	2010/10/10
G	F12-0053	APA	2012/05/07

www.fciconnect.com		surface ISO 1302	tolerance std ISO 406 ISO 1101	projection mm
TOLERANCES UNLESS OTHERWISE SPECIFIED				
Dr	PESSON	2006/02/21	ANGULAR	LINEAR
Eng	PESSON	2006/02/21	0.X	±0.1
Chr	LEGARE	2006/02/21	0.XX	±0.1
Appr	LEGARE	2006/02/21	0.XXX	±0.1
Product family		DIN POWER	5158	Spec ref -
title		MALE CONNECTOR 3 ROW		Rev.
catalog no		48 CONTACTS		G
-		-		CUSTOMER sheet 1 of 1

European Views

mm

Scale 1.5

size A3

ECN F12-0053

Product family DIN POWER 5158

Spec ref -

Rev. G

CUSTOMER sheet 1 of 1