

## Excellent Integrated System Limited

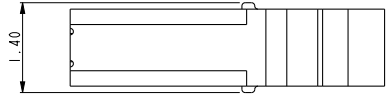
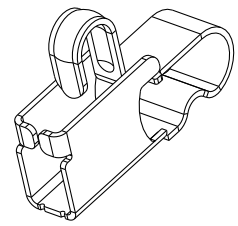
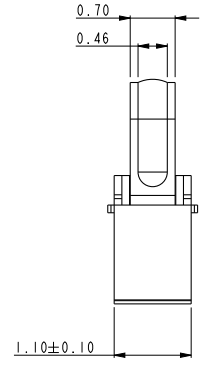
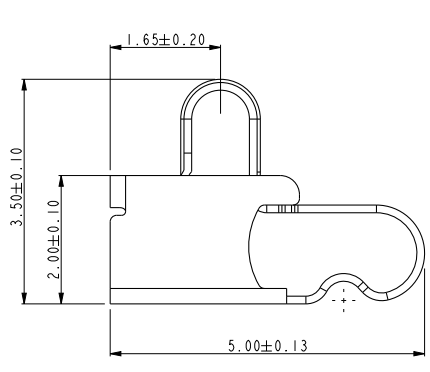
Stocking Distributor

Click to view price, real time Inventory, Delivery & Lifecycle Information:

[FCI](#)  
[10118532-003RLF](#)

For any questions, you can email us directly:  
[sales@integrated-circuit.com](mailto:sales@integrated-circuit.com)

	PRODUCT NO.
FCI	10118532-001RLF 10118532-003RLF 10118532-009RLF



NOTES:  
 1. MATERIAL: COPPER ALLOY.  
 2. CONTACT PLATING:  
 CONTACT AREA: PLATING Au OR GXT OVER Ni UNDERPLATE.  
 (GXT = GOLD FLASH + PdNi)  
 SOLDER AREA: PLATING GOLD FLASH OVER Ni UNDERPLATE.  
 3. PACKAGING: TAPE & REEL  
 4. PART NUMBER DESCRIPTION:  
 10118532-0 0 X X X  
 L: LEAD FREE  
 R: TAPE & REEL  
 CONTACT PLATING:  
 1 : 1um Au over Ni  
 3 : Gold flash over Ni  
 9 : 1um GXT over Ni

rev	ecn no	dr	date
A	INITIAL RELEASE	AL	2012-08-24



Copyright FCI.

spec ref	*	dr	Andy Lu	2012/08/24	projection	mm	size	A4	scale	12.000	
tolerance std	ASME Y14.5	eng	Andy Lu	2012/08/24			ecn no	-	rel level		Released
TOLERANCES UNLESS OTHERWISE SPECIFIED		chr	-	appr			Pei-Ming Zheng	2012/08/24	product family	-	rev
surface	linear	0.X	±0.3		<b>ANTENNA CONNECTOR</b> <b>UNIVERSAL CONTACT</b>	www.fci.com	cat. no. 10104321	Product - Customer Drw	sheet 1 of 1	rev A	
ASME Y14.5	angular	0.XX	±0.15								
		0.XXX	±0.050								
0°	±2°										

Print File: REV C - 2009-08-09