

## Excellent Integrated System Limited

Stocking Distributor

Click to view price, real time Inventory, Delivery & Lifecycle Information:

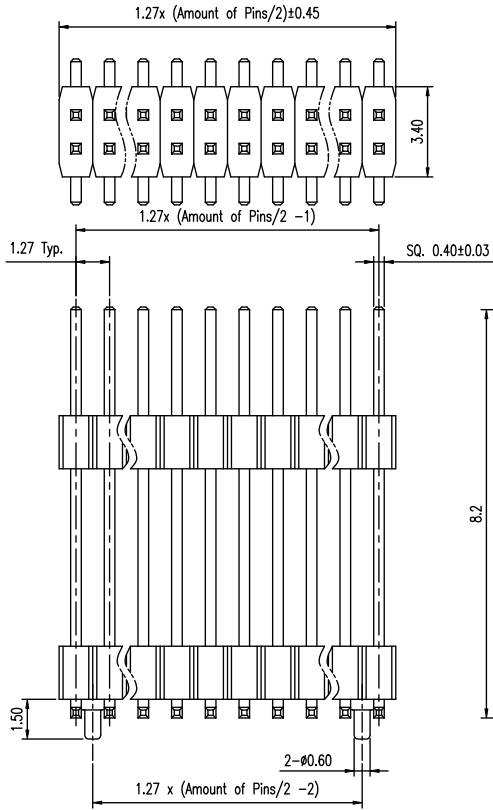
[FCI](#)  
[20021831-05014T4LF](#)

For any questions, you can email us directly:  
[sales@integrated-circuit.com](mailto:sales@integrated-circuit.com)

Tous droits strictement réservés. Reproduction ou communication a des tiers interdite sans que ce soit sans autorisation écrite du propriétaire. Propriété de c FCI. Droits de reproduction FCI.

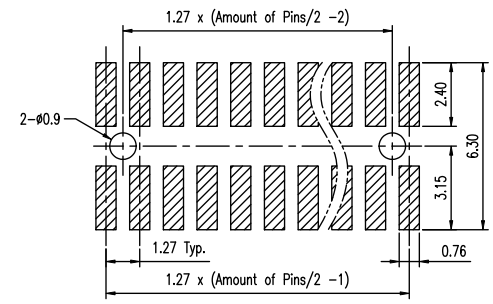


All rights strictly reserved. Reproduction or issue to third parties in any form whatever is not permitted without written authority from the proprietor. Property of FCI. Copyright FCI.



NOTE:  
1. MATERIAL:  
HOUSING: NYLON 6T (E630NK), UL94V-0  
TERMINAL: C2700 H  
2. FINISH:  
TERMINAL: GOLD AT CONTACT,  
G/F OVER 1um(40u") MIN NI OVER ALL  
3. SPEC:  
PRODUCT SPEC: GS-12-629  
PACKING SPEC: GS-14-1517  
4. THE HSG. WILL WITHSTAND EXPOSURE TO 260C  
PEAK TEMP. FOR 10 SEC. IN A CONVECTION, INFRA-RED  
OR VAPOR PHASE REFLOW OVEN.  
5. MATING SIDE LENGTH: 2.50MM MIN.  
6. PRODUCT NUMBERING:  
200218 3 1 - XXX XX X X LF

LEAD FREE  
PLATING:  
1: G/F ALL OVER  
4: 0.25um(10U") GOLD AT CONTACT  
8: 0.76um(30U") GOLD AT CONTACT  
PACKING  
T: TUBE  
PIN COUNT  
04, 06, 08, ..., 48, 50  
( EVERY EVEN PIN )  
STACK HEIGHT "K"  
EXAMPLE: 045=4.5MM  
IN 0.5MM INCREMENT



Recommended P.C.B. Layout  
Layout Tolerance = ± 0.05 mm

mat'l. code				tolerances unless otherwise specified		CUSTOMER COPY		www.fciconnect.com				
ltr	ecn no	dr	date	linear	.X ± 0.38	projection	title	product family	code			
A	T10-0088	S.LIN	10'-7-15		.XX ± 0.25					MM	1.27X1.27MM BTB STACK HD	585
				angles	.XXX ± 0.15							
				dr	0° ± 2'	scale	VT, SMT	20021831	TWN			
				enrg	STERLING LIN 10'-7-15	NA			sheet			
				chr	STERLING LIN 10'-7-15				1 of 1			
				appd	STERLING LIN 10'-7-15							
sheet index	revision sheet	A	1					cage code				