

Excellent Integrated System Limited

Stocking Distributor

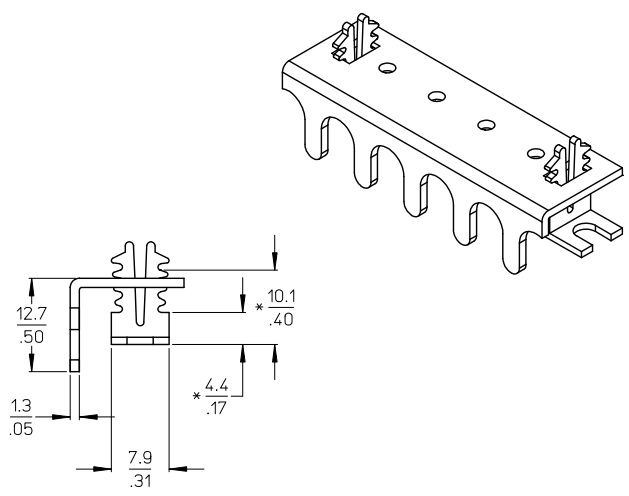
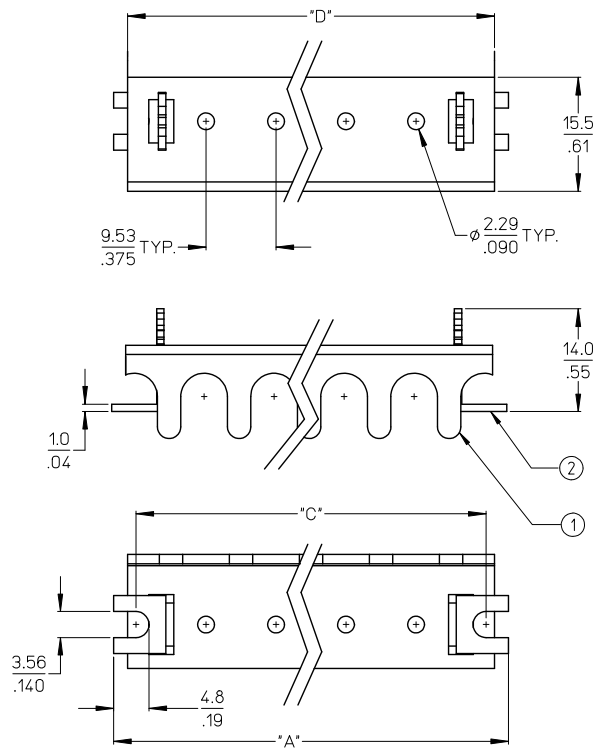
Click to view price, real time Inventory, Delivery & Lifecycle Information:

[Molex Connector Corporation](#)
[0387536710](#)

For any questions, you can email us directly:

sales@integrated-circuit.com

10 9 8 7 6 5 4 3 2 38753



- NOTES:
1. MATERIAL: SEE TABLE.
 2. FINISHES: SEE TABLE.
 3. PRODUCT SPECIFICATION: AS REQUIRED.
 4. MATES WITH: 75 SERIES BTS.
 5. (*) DIMENSIONS INDICATE MAX. AND MIN. COVER HEIGHT.
 6. ROHS COMPLIANT.

ITEM	QTY.	DESCRIPTION	MATERIAL	FINISH
2	2	COVER CLIPS AS MO	ACETAL	NATURAL
1	1	COVER W-A-R CUTTH	PBT POLYESTER	BLACK

REV	DESCRIPTION	QUALITY SYMBOLS	GENERAL TOLERANCES (UNLESS SPECIFIED)		DIMENSION STYLE	SCALE	DESIGN UNITS	THIRD ANGLE PROJECTION
			mm	INCH				
1	UPDATE DIM. A & D EC NO: WNA2009-0356 DRAWN: JENCINAS 2008/07/18 CHKD: CYORK 2008/07/15 APPR: JMACNEIL 2009/07/15	▽=0 ▽=0	4 PLACES ± .005	± .005	MM/IN	2:1	INCH	THIRD ANGLE PROJECTION
2			3 PLACES ± .013	± .01				
3			2 PLACES ± 0.3	± .01				
4			1 PLACE ± 0.3	± .01				
			ANGULAR ± 2°					
			DRAFT WHERE APPLICABLE MUST REMAIN WITHIN DIMENSIONS		SEE CHART			
					MATERIAL NO. SEE CHART		DOCUMENT NO. SD-38753-001	
					SIZE B		THIS DRAWING CONTAINS INFORMATION THAT IS PROPRIETARY TO MOLEX INCORPORATED AND SHOULD NOT BE USED WITHOUT WRITTEN PERMISSION	

1b_frome_B_P_ME_T Rev. E 2006/04/15 9 8 7 6 5 4 3 2 1

10 9 8 7 6 5 4 3 2 38753

NO. OF CIRCUITS	DIM. "A"		DIM. "C"		DIM. "D"		KIT MATERIAL
	mm	in	mm	in	mm	in	
02	34.7	1.37	28.58	1.125	30.7	1.21	387536702
03	44.2	1.74	38.10	1.500	40.3	1.59	387536703
04	53.7	2.12	47.63	1.875	49.8	1.96	387536704
05	63.2	2.49	57.15	2.250	59.3	2.34	387536705
06	72.8	2.87	66.68	2.625	68.8	2.71	387536706
07	82.3	3.24	76.20	3.000	78.4	3.09	387536707
08	91.8	3.62	85.73	3.375	87.9	3.46	387536708
09	101.3	3.99	95.25	3.750	97.4	3.84	387536709
10	110.9	4.37	104.78	4.125	106.9	4.21	387536710
11	120.4	4.74	114.30	4.500	116.5	4.59	387536711
12	129.9	5.12	123.83	4.875	126.0	4.96	387536712
13	139.4	5.49	133.35	5.250	135.5	5.34	387536713
14	149.0	5.87	142.88	5.625	145.0	5.71	387536714
15	158.5	6.24	152.40	6.000	154.6	6.09	387536715
16	168.0	6.62	161.93	6.375	164.1	6.46	387536716
17	177.5	6.99	171.45	6.750	173.6	6.84	387536717
18	187.1	7.37	180.98	7.125	183.1	7.21	387536718
19	196.6	7.74	190.50	7.500	192.7	7.59	387536719
20	206.1	8.12	200.03	7.875	202.2	7.96	387536720
21	215.6	8.49	209.55	8.250	211.7	8.34	387536721
22	225.2	8.87	219.08	8.625	221.2	8.71	387536722
23	234.7	9.24	228.60	9.000	230.8	9.09	387536723
24	244.2	9.62	238.13	9.375	240.3	9.46	387536724
25	253.7	9.99	247.65	9.750	249.8	9.84	387536725
26	263.3	10.37	257.18	10.125	259.3	10.21	387536726

SEE SHEET ONE EC. NO: WNA2009-0356 DRAWN BY: JENC INAS 2008/12/18 CHECKED BY: CYORK 2009/01/15 APPR: JMACNEIL 2009/01/15 DESCRIPTION REV:	QUALITY SYMBOLS	GENERAL TOLERANCES (UNLESS SPECIFIED)	DIMENSION STYLE	SCALE	DESIGN UNITS	THIRD ANGLE PROJECTION	
	$\nabla=0$ $\nabla=0$	mm INCH	MM/IN	2:1	INCH		
		4 PLACES ± --- ± ---	DRAWN BY DATE	JENC INAS 2008/05/13	TITLE		
		3 PLACES ± --- ± .005	CHECKED BY DATE	CYORK 2008/05/14	COVER SR BTS KIT, W-A-R CUTTH		
	2 PLACES ± 0.13 ± .01	APPROVED BY DATE	JMACNEIL 2008/05/16	MOLEX INCORPORATED			
	1 PLACE ± 0.3 ± ---	MATERIAL NO.	SEE CHART	SD-38753-001			
	ANGULAR ± 2 °	DOCUMENT NO.		SHEET NO.			
		DRAFT WHERE APPLICABLE MUST REMAIN WITHIN DIMENSIONS		2 OF 2			
				THIS DRAWING CONTAINS INFORMATION THAT IS PROPRIETARY TO MOLEX INCORPORATED AND SHOULD NOT BE USED WITHOUT WRITTEN PERMISSION			

9 8 7 6 5 4 3 2 1