



Distributor of Molex Connector Corporation: Excellent Integrated System Limited
Datasheet of 0444751811 - Connector Receptacle 18 Position 0.165" (4.20mm) Tin Through Hole

Contact us: sales@integrated-circuit.com Website: www.integrated-circuit.com

Excellent Integrated System Limited

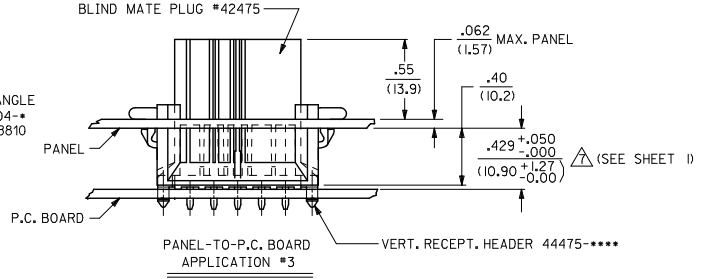
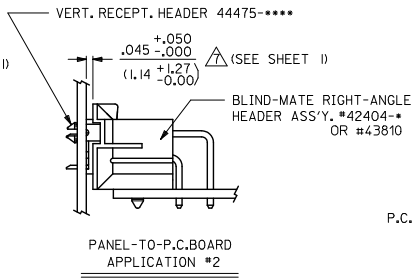
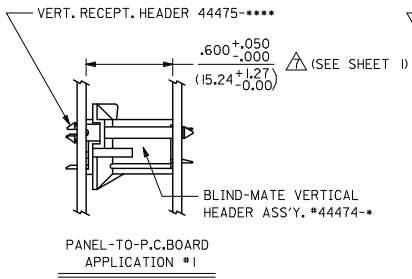
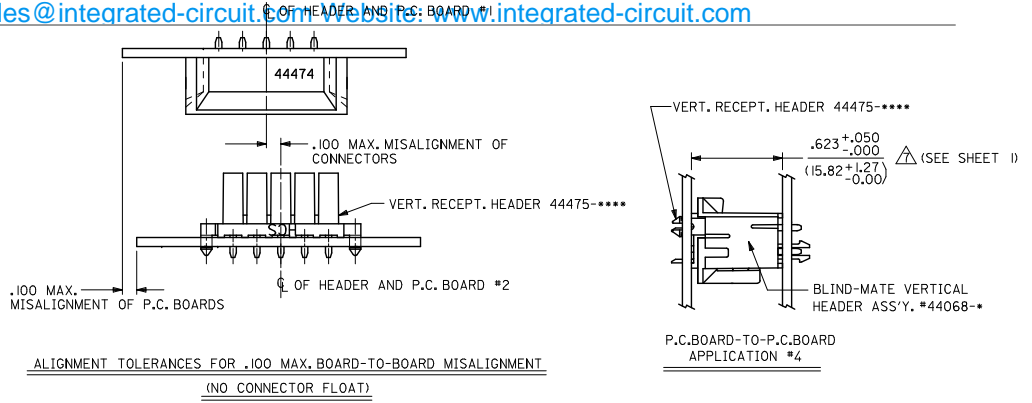
Stocking Distributor

Click to view price, real time Inventory, Delivery & Lifecycle Information:

[Molex Connector Corporation](#)
[0444751811](#)

For any questions, you can email us directly:
sales@integrated-circuit.com

Contact us: sales@integrated-circuit.com Website: www.integrated-circuit.com



SEE NOTE 15

SEE SHEET 1 EC NO: UCP2012-3941 DRAWING NO: 2017/06/20 CHKD: BELL APPR: SMITH 2017/06/25	QUALITY SYMBOLS ∇=0 ∇=0 ∇=0	GENERAL TOLERANCES (UNLESS SPECIFIED)		DIMENSION STYLE IN/MM		SCALE 4:1	DESIGN UNITS METRIC	THIRD ANGLE PROJECTION	
		4 PLACES ± --- ± ---	mm INCH	DRAWN BY GEP	DATE 1994/08/10	TITLE VERT HEADER RECEPT ASSY BLIND MATE MINI-FIT HCS SERIES			
		3 PLACES ± --- ± .010		CHECKED BY RJF	DATE 1994/08/10	MOLEX INCORPORATED			
		2 PLACES ± 0.25 ± .015 1 PLACE ± 0.38 ± --- ANGULAR ± 5°		APPROVED BY FSMITH	DATE 2011/10/11	MATERIAL NO. SEE SHEET 3	DOCUMENT NO. SDA-44475-****	SHEET NO. 2 OF 3	
D1	REV	DRAFT WHERE APPLICABLE MUST REMAIN WITHIN DIMENSIONS		THIS DRAWING CONTAINS INFORMATION THAT IS PROPRIETARY TO MOLEX INCORPORATED AND SHOULD NOT BE USED WITHOUT WRITTEN PERMISSION					



Distributor of Molex Connector Corporation: Excellent Integrated System Limited
 Datasheet of 0444751811 - Connector Receptacle 18 Position 0.165" (4.20mm) Tin Through Hole

Contact us: sales@integrated-circuit.com Website: www.integrated-circuit.com

	13	12	11	10	9	8	7	6	5	4	3	2	1
	ITEM NUMBER	CKT. SIZE	HSG. MATERIAL	PLATING (SEE NOTE 2)	ITEM NUMBER	CKT. SIZE	HSG. MATERIAL	PLATING (SEE NOTE 2)					
J	X 44475-0211	2	94V-2		X 44475-0222	2	94V-0						
	↑ -0411	4	↑	↑	X ↑ -0422	4	↑	↑					
	-0611	6			X -0622	6							
I	X -0811	8			X -0822	8							
	-1011	10			X -1022	10							
	X -1211	12			X -1222	12							
	-1411	14			X -1422	14							
H	X -1611	16			X -1622	16							
	-1811	18			X -1822	18							
	X -2011	20			X -2022	20							
	↓ -2211	22	↓	↓	X ↓ -2222	22	↓	↓					
G	44475-2411	24	94V-2	I	X 44475-2422	24	94V-0	2					
	↑ -0421	4	↑	↑									
	-0621	6											
F	X -0821	8											
	-1021	10											
	X -1221	12											
	-1421	14											
E	-1621	16											
	-1821	18											
	X -2021	20											
	↓ -2221	22	↓	↓									
D	44475-2421	24	94V-0	I									

ITEM NO.	CKT. SIZE	HSG. MAT'L.	TERMINAL PLATING REQUIRED AT EACH CIRCUIT LOCATION:																								
			1	2	3	4	5	6	7	8	9	10	11	12	13	14	15	16	17	18	19	20	21	22	23	24	
44475-3000	24	94V-0	1	1	-	1	-	1	-	1	-	1	1	1	1	1	1	-	1	-	1	-	1	-	1	1	1

ITEMS PRECEDED BY 'X' ARE NOT AVAILABLE.

SEE SHEET 1 EC NO: UCP2072-3941 2017/06/20 DRAWING/EN CHKD: BELL 2017/06/20 APPROV: SMITH 2017/06/25 DESCRIPTION REV	QUALITY SYMBOLS	GENERAL TOLERANCES (UNLESS SPECIFIED)	DIMENSION STYLE	SCALE	DESIGN UNITS	THIRD ANGLE PROJECTION
	$\nabla = 0$ $\nabla = 0$ $\nabla = 0$	4 PLACES ± --- ± --- 3 PLACES ± --- ± .010 2 PLACES ± 0.25 ± .015 1 PLACE ± 0.38 ± --- ANGULAR ± 5°	IN/MM	1:1	METRIC	DRAWN BY: GEP DATE: 1994/08/10 CHECKED BY: RJF DATE: 1994/08/10 APPROVED BY: F SMITH DATE: 2011/10/11
	DRAFT WHERE APPLICABLE MUST REMAIN WITHIN DIMENSIONS	SEE CHART	MATERIAL NO. MOLEX INCORPORATED	TITLE VERT HEADER RECEPT ASSY BLIND MATE MINI-FIT HCS SERIES	DOCUMENT NO. SDA-44475-****	SHEET NO. 3 OF 3
	THIS DRAWING CONTAINS INFORMATION THAT IS PROPRIETARY TO MOLEX INCORPORATED AND SHOULD NOT BE USED WITHOUT WRITTEN PERMISSION					

1b_frame_C_P_AM_T Rev. F 2009/06/18	12	11	10	9	8	7	6	5	4	3	2	1
--	----	----	----	---	---	---	---	---	---	---	---	---