

## Excellent Integrated System Limited

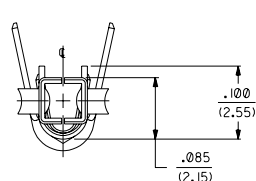
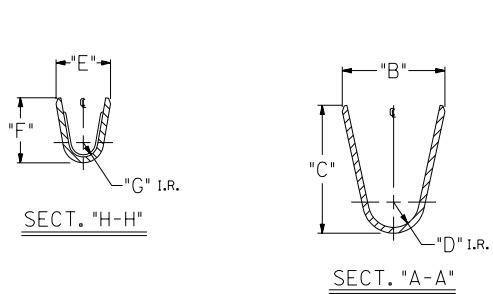
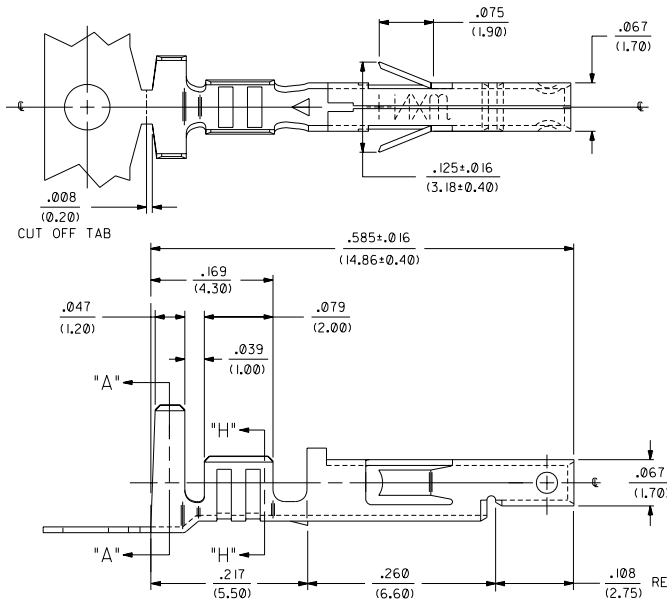
Stocking Distributor

Click to view price, real time Inventory, Delivery & Lifecycle Information:

[Molex Connector Corporation](#)  
[0444761211](#)

For any questions, you can email us directly:  
[sales@integrated-circuit.com](mailto:sales@integrated-circuit.com)

ITEM NO.	FORM	WIRE GAGE	QUANTITY PER REEL	DIM. "B"	DIM. "C"	DIM. "D"	DIM. "E"	DIM. "F"	DIM. "G"
44476-1211	CHAIN	18-20 GA.	4,000	.142±.012 (3.60±0.30)	.177±.016 (4.50±0.40)	.035 (0.90)	.075±.012 (1.90±0.30)	.091±.016 (2.30±0.40)	.020 (0.50)
44476-3211	CHAIN	16 GA.	4,000	.142±.012 (3.60±0.30)	.177±.016 (4.50±0.40)	.035 (0.90)	.091±.012 (2.30±0.30)	.106±.016 (2.70±0.40)	.024 (0.60)



**LEGEND:**  
 44476 - \* \* | \*  
 BASE NO. \_\_\_\_\_  
 WIRE GAGE \_\_\_\_\_  
 1 = 18-20 AWG  
 3 = 16 AWG  
 PLATING \_\_\_\_\_  
 SEE NOTE 2  
 CHAIN OR LOOSE \_\_\_\_\_  
 \*1 = CHAIN  
 \*2 = LOOSE

- NOTES:
- MATERIAL: OLIN ALLOY C197, .008/(.203) THICK.
  - FINISH:
    - \*2= .000030/(.00076) MIN. SELECT GOLD, .000100/(.00254) MIN. MATTE TIN OVER .000050/(.00127) MIN. NICKEL OVERALL.
    - \*THE PRIMARY SHIPPING CARTON WILL BE LABELED \*COMPLIANT TO RoHS DIRECTIVE 2002/95/EC AND ELV ANNEX II OF DIRECTIVE 2000/53/EC.\* CARTONS WITHOUT THIS LABEL MAY CONTAIN PRODUCT WITH TIN-LEAD PLATING.
  - PRODUCT SPECIFICATIONS AND PROCESSING PARAMETERS: SEE PS-44476-001.
  - MATES WITH 44478 MALE TERMINAL AND 43810, 44068, 44472, 44473, 44474, 42404, 5569 AND 30070 SERIES CONNECTORS.
  - TERMINAL FOR USE WITH 5557, 30067 & 42474 SERIES HOUSINGS.
  - PART DESIGNED IN METRIC.
  - ITEM NUMBERS PRECEDED BY AN \*X\* IN THE CHART ARE NOT AVAILABLE.

REMOVED TIN-LEAD: EC NO. UCP2004-1821 DRAWN: CAMPBELL 04/03/09 CHK: GPOL CAR 04/03/09 APPROVAL: LUIS 04/03/09	QUALITY SYMBOLS MAJOR CRITICAL	GENERAL TOLERANCES: (UNLESS SPECIFIED)		SCALE	DESIGN UNITS	THIRD ANGLE PROJECTION	DIMENSIONS:			SHT	REV	
		mm	INCH	10:1	mm		INCH	mm	INCH	mm	ONLY	REVISE ON CAD ONLY
		4 PLACES	±0.---	±.---								
		3 PLACES	±0.---	±0.10								
		2 PLACES	±0.25	±0.14								
		1 PLACE	±0.36	±.---								
		ANGULAR: ±1/2°										
		DRAFT WHERE APPLICABLE MUST REMAIN WITHIN DIMENSIONS										
		THIS DRAWING CONTAINS INFORMATION THAT IS PROPRIETARY TO MOLEX INCORPORATED AND SHOULD NOT BE USED WITHOUT WRITTEN PERMISSION.										